

A vertical photograph of a telecommunications antenna tower, showing a series of stacked, rectangular antenna panels. The tower is positioned on the left side of the page, extending from the bottom to the top.

HOST STATION MANUAL



PHOENIX MODEL MARKET
A TEST BED FOR NEXT GENERATION TV SERVICES

On behalf of Pearl TV and the Phoenix Model Market Project for the Broadcast Television Industry

NEXTGEN TV logo is an unregistered trademark of the Consumer Technology Association and is used by permission.
© 2019 All Rights Reserved.

GETTING STARTED

Contents

Getting Started	8
Background and Goals	9
Sharing Channels to Clear Spectrum	10
Two Step Process	10
Step One - Clearing Spectrum	10
Step Two – Building the NEXTGEN TV Services	15
FCC Authorization (Licensing)	21
Multichannel Video-Programming Distributors (MVPD)	23
NEXTGEN TV Market Viewer Notification Suggested Guidelines	27
Suggested Transition Rescanning Crawl Information	27
Station Website Recommendations	29
Suggested Copy for Station Websites	29
Images For Digital Use	31
Basic TV Service Promotion	31
Web Based Information	31
Master Checklist	32
Agreements, Business and Licensing	32
Technical Considerations	33
Purchasing ATSC-1 Equipment	35
Purchasing ATSC-3 Equipment	36
Overall Transmission and Receiver Requirements	37
Transport (ROUTE/DASH, MMT)	37
Video Requirements	39
Audio Requirements	40
Closed Captioning Requirements	41
Packager Requirements	41
Closed Captioning Requirements	41
Advanced Emergency Alerts	41

GETTING STARTED

Non-Real Time (NRT) File Delivery _____	42
Security Requirements _____	42
Advanced Emergency Alert (AEA) Requirements _____	43
Guide Requirements _____	44
Interactive Runtime _____	44
Stream Assignment Requirements _____	44
Transmission Requirements _____	45
The Number of ATSC-3 Services Signaled Simultaneously and Supported by a Receiver _____	46
Background _____	46
Discussion _____	46
Recommended Requirement _____	47
Operations Section _____	49
Recommended Initial Setup Parameters and the Service Profile _____	50
Background _____	50
The Recommended Profile _____	52
Initial Setup Parameters _____	53
More Advanced Parameters _____	55
Additional Setups for Subsequent Years _____	55
Advanced Setups _____	56
Training _____	58
Procedures _____	60
Monitoring of All Services _____	60
Logging of Services _____	60
Legal ID and EAS Testsing _____	60
Resumption or Loss of Service _____	60
Calling Trees and Communications _____	61
Outside Support _____	62
IP Addressing _____	63
PTP or NTP Clock _____	65
Watermarking _____	66

GETTING STARTED

Content and Service Protection	67
Public Key Infrastructure or PKI	67
Overall Content and Service Protection System	68
Content Security or Digital Rights Management	69
Service Protection	72
Broadcaster Application and RUN3TV Framework	73
Broadcaster Application	73
Common Application Framework	78
Test Application	81
Reference	83
A Short Tutorial	84
Introduction	84
HEVC - H.265 Encoding	85
High Dynamic Range (HDR)	88
Wide Color Gamut (WCG)	93
High Frame Rate (HFR)	96
AC-4 - Audio Encoding	100
Dialog Enhancement	101
Data Rate Efficiency	102
A/V Sync and Frame Alignment	102
Dynamic Range Control	103
Extensible Metadata Delivery Format Support	103
Loudness Control	104
Intelligent Loudness Management	104
Target Devices	104
Alternative Metadata	104
Advanced Single-Stream and Multi-Stream (Hybrid) Presentations	105
Core and Full Decoding	105
High Sampling Frequencies	105
Seamless Audio Switching	105

GETTING STARTED

IMSC1 Closed Captioning	106
System Architecture	107
Workflow	109
Signaling	112
Background	112
Bootstrap	113
Preamble	114
L(ayer)1 - Basic	115
L(ayer)1 - Detail	116
LLS – Low Level Signaling	116
SLT – Service List Table	116
RRT – Rating Region Table	117
SystemTime	117
AEAT – Advanced Emergency Alerting Table	117
OnscreenMessageNotification	118
SMT – Signed Multi -Table	118
CDT – Certification Data Table	118
SLS – Service Layer Signaling	119
USBD – User Service Bundle Description	121
S-TSID – Service-based Transport Session Instance Description	121
APD – Associated Procedure Description	121
MPD – Media Presentation Description	122
HELD – HTML Entry pages Location Description	123
DWD – Distribution Window Description	124
MP – MMT Package Table	124
MA3 – MMT ATSC3 Table	124
MPI – Media Presentation Information	125
LMT – Link Mapping Table	125
Configuration of Three Particularly Important Signaling Attributes	126
globalServiceID:	126

GETTING STARTED

BSID or Broadcast Stream Identifier: _____	126
TXid or Transmitter Identification _____	127
Typical Signaling Table Transmission Intervals _____	129
NEXTGEN TV Encoding and Transmission Flow _____	130
Encoding _____	130
DASH Packager _____	131
ROUTE Encapsulator / Signaling/ NRT and Announcement Generator _____	136
Broadcast Gateway/Scheduler _____	142
Exciter/Modulator _____	144
Exciter/Modulator Physical Layer Parameters _____	149
Shannon Limit, Signal to Noise and Station Coverage _____	150
Shannon Limit _____	150
Signal Propagation and the Impact of Noise _____	151
Using the Shannon Limit in NEXTGEN TV _____	152
Coverage and Bandwidth Trade-offs _____	153
Transmission Antenna Polarization in NEXTGEN TV _____	155
Physical Layer Pipes _____	159
Physical Layer Pipes – High Level Model _____	159
Physical Layer Pipes – More Detailed Description _____	161
Multiple PLP Configurations _____	166
NEXTGEN TV Receiver Overview _____	169
Overview _____	169
Physical Layer - RF Tuner _____	170
Signaling _____	175
Media Presentation _____	179
Complete Receiver _____	181
Single Frequency Network _____	183
Single Frequency Network and Distributed Transmission System _____	183
Understanding the Nature of Interference _____	183
Understanding How an SFN Works _____	184

GETTING STARTED

Summary of Regulatory Requirements for SFNs (DTS) _____	187
Phoenix Model Market SFN Testing _____	189
Virtual Machines _____	192
Definitions _____	195
NEXTGEN TV Application Procedure _____	214
47 CFR 73.3801 Full Power Television Simulcasting During the ATSC 3.0 (NEXTGEN TV) Transition__	221
47 CFR 74.782 Low Power Television and TV Translator Simulcasting During the ATSC 3.0 (NEXTGEN TV) Transition _____	226
Frequently Asked Questions _____	232
Document Revision History _____	237



This manual includes copyrighted material from Pearl TV LLC which may not be copied, reprinted, or used or reproduced by any third party without its permission.

Getting Started

The following section describes what is required to begin the process for your station and market to plan, license, build and operate a NEXTGEN TV Host facility.

Background and Goals

This manual is for television stations and markets that intend to make the transition to ATSC-3 NEXTGEN TV and want to consider what is required to build and operate a NEXTGEN TV Host facility. Although this manual cannot possibly include everything that needs to be considered or suggest all possible solutions, it should provide a set of guidelines that will make the process of planning, licensing, building and operating a NEXTGEN TV Host facility easier to understand. Every market is unique and will have different nuances and circumstances.

To accomplish a relatively seamless implementation of NEXTGEN TV without disenfranchising your viewers, your station in concert with willing market partners can deploy this new technology in parallel with its existing digital television services in a voluntary manner. The NEXTGEN TV Host transmissions must operate within a given market's existing 6 MHz television channels and will be subject to the same radio frequency interference constraints and requirements that apply to the current DTV standard. In other words, this transition must be accomplished on a voluntary basis without additional spectrum being provided to the broadcaster that does not already exist in the market.

As for content, the current FCC rules regarding simultaneous carriage during the transition requires that the programming must be substantially the same on current legacy and NEXTGEN TV services for now. However, the parallel transmission of the NEXTGEN TV content can make use of many of the enhancements found in the new standard such as UHD and HDR video, immersive and dialog enhanced audio as well as rich broadcaster applications while still meeting the regulatory requirements.

This manual will provide the reader with many of the basic operational principles for how to successfully transition to NEXTGEN TV as quickly as possible. It should also answer many of the questions you might have while providing the basis for taking advantage of this next great broadcasting television opportunity.

Sharing Channels to Clear Spectrum

Since the Report and Order issued by the FCC in November of 2017 (FCC 17-158) *Authorizing Permissive Use of the “Next Generation” Broadcast Television Standard* or the applicable rules shown in the Reference Section of this manual do not provide for any additional bandwidth (channels) in markets to aid in the transition, each market must find a means to transmit the NEXTGEN TV service while retaining their current legacy digital services.

There is no single method to accomplish the transition successfully in all markets, but there is an approach that is applicable in many, if not most markets. This will require extraordinary coordination with the stations involved that likely have been fierce market competitors. However, the greater good is the improved service provided to all their viewers as well the continued health of television broadcasting business as a whole.

To help in the coordination and focus the leadership required in accomplishing this daunting task in the shortest amount of time, each market should consider obtaining the services of a market coordination manager. This person or organization should be used to help draft and negotiate with the aid of legal counsel technical and business proposals for willing partners to join forces in finding a home for a hosting station’s legacy digital services. This person can also be the focus in insuring all the various carriage agreements are created and transmission rights are obtained. The coordinator also can keep the project on course and focused on all of the details required for a successful market transition.

TWO STEP PROCESS

Making the NEXTGEN TV available in any given market requires two major steps. The two steps are interlocked but have separate paths. Hopefully, what is required to accomplish both steps are described adequately below and can be applied to the specific circumstances of your market.

STEP ONE - CLEARING SPECTRUM

Optimizing Legacy ATSC 1.0 Signals to Improve Overall Market Spectrum Capacity

As part of the first step to enable a transition to a NEXTGEN TV, market stations must optimize and clear their current spectrum to provide sufficient capacity on at least channel to accommodate a host for the NEXTGEN TV services while maintaining their current legacy services on the partners facilities. To help make that happen, each station must look at how efficiently they are making use of their own legacy ATSC-1 spectrum. Any spectrum they can clear may help in

GETTING STARTED

hosting current legacy ATSC-1 services (from the host broadcaster) and thus clear the channel(s) required for the transmission of NEXTGEN TV services.

Great strides have been made in legacy ATSC-1 encoding technology in the twenty plus years since the current digital video standard was developed. These improvements provide for better image quality with less required digital bandwidth. This translates into less digital capacity required in any current channel to transmit the same or better-quality services. This is true even if the channel is occupied with HD as well as multicast services.

With the aid of updated encoding facilities, a station may have enough excess capacity to host a legacy multicast signal from the NEXTGEN TV Host or other market HD service. The use of PSIP (Program and System Information Protocol) that currently resides within the legacy ATSC-1 signal provides the legacy station's logical identity to all over-the-air viewer receivers. The proper use of PSIP will ensure that the viewers will be able to find their favorite services by the same virtual channel number despite the service being moved to a different physical channel. This ability to move services to channels with spare capacity without audience disruption is the very basis of how the transition can be accomplished without additional bandwidth in many markets.

The end goal is to free the capacity of at least one channel (possibly more in a larger market) to provide space for all the new NEXTGEN TV services. Fortunately, the new NEXTGEN TV services require less bandwidth per service, so depending on service requirements (image quality and coverage) five or so current HD services with similar coverage and image quality are possible within a legacy 6 MHz channel.

You will note that in the before and after figures shown below for example, that some multicast ATSC-1 services have been moved to other channels as have the primary HD service of the host station. However, as mentioned, the services are still being identified as they were on their original source channel using the logical service numbering provided in their PSIP tables. Therefore, after the market rescans all receivers, the services will appear as they did to the over-the-air audience.

GETTING STARTED

Typical Mid-Sized Market

Before - All ATSC-1



Station 1
ATSC-1
1-HD
2-D2s



Station 5
ATSC-1
1-HD
2-D2s



Station 2
ATSC-1
1-HD
2-D2s



Station 3
ATSC-1
1-HD
2-D2s



Station 4
ATSC-1
1-HD
2-D2s

- Typical market represented has 4 major networks and 1 public station.
- Typical station has 1 HD and 2 SDs
 - HD bitrate assumed to be 12 Mbps.
 - SD bitrate assumed to be 2 Mbps.
 - 1 Mbps assumed for PSIP, etc.
 - Total bits used = 17 Mbps (of 19.39 Mbps)
- Market has 5 HD channels and 10 SD channels

Typical Mid-Sized Market

After - ATSC-3 Lighthouse



Station 1
w/ Station 5
ATSC-1
2-HD*



Station 5
ATSC-3
5 HD / HDR
Stations 1 - 5



Station 2
ATSC-1
1-HD*
4-D2s



Station 3
ATSC-1
1-HD
3-D2s



Station 4
ATSC-1
1-HD
3-D2s

- Market business arrangement identifies stations to carry all 5 ATSC-3 signals.
- ATSC 1.0 stations carry Lighthouse host's ATSC-1 signals.
- Stations 1, 2, and 5 HD bitrates dropped to accommodate channel consolidation.
- All D1s are preserved
- All 10 D2s are preserved.
- Coverage of Lighthouse should approximate stations 1-5 current contours.

The FCC Report and Order and Further Notice of Proposed Rulemaking 17-158-A1, adopted on November 16, 2017 Authorizing Permissive Use of the “Next Generation” Broadcast Television Standard Television service does require many obligations of the parties that will share bandwidth to make this transition possible.

GETTING STARTED

First and foremost, if a station's legacy ATSC-1 primary signal is moved to another station and channel, that facility must provide coverage that is substantially the same as the original station's transmission coverage within its designated contours. The FCC will likely accept a loss of coverage of up to 5 percent of the population of the market audience within the noise limited contour but may not look favorably on waiver requests that describe a larger loss in audience.

Current coverage patterns in many markets are roughly equivalent (but not necessarily equal) so finding a suitable host should likely be easy. However, some markets have coverages that overlap but do not replicate each other. In those specific cases, it will be challenging to find a host station that could be served by a legacy signal partner and replicate 95% of the original coverage. The FCC has not closed the possibility of a special waivers in those cases. Recent proceedings from the FCC has shown a willingness to take the unique circumstances of some markets into account in this regard.

Interestingly, the NEXTGEN TV services are given more leeway in their requirements for duplication of coverage. The NEXTGEN TV coverage need not duplicate current legacy ATSC-1 services. However, there is a requirement for the primary simulcast NEXTGEN TV service to be "free" as well as provide programming content that is substantially the same as the primary legacy service.

Inventory of Service Capacity in a Market

As part of the first step there needs to be an inventory of the current available bandwidth of each station in a market. Potential excess bandwidth capacity needs to be evaluated while considering efficiencies at hosting stations that may be provided by any improvements in encoding and or statistical multiplexing of the streams.

For example, ideally the displaced legacy services from the future NEXTGEN TV Host station would be accommodated by the other market transition participants. This may require the displacement or reordering of several individual multicasts from the host station as well as the other participants to make room for the host station's main legacy HD telecast.

Also, and possibly most importantly market partners that either own duopolies or share facilities in service agreements may find spectrum clearing easier to accomplish because they have a likely and willing partner.

However, through market-wide planning and the clever use of the station's identifying PSIP signal, the identities of the individual services will remain unchanged despite being moved to other channels after a market wide rescan of all the over-the-air viewer's receivers.

GETTING STARTED

Market-wide MVPD coordination is also particularly important. Despite many market stations feeding their signal to cable head-ends via means other than over-the-air, often MVPDs still use the over-the-air signal as a backup. Therefore, as these legacy services are moved, careful coordination with cable and direct broadcast satellite operations is critical. It is also required under the NEXTGEN TV FCC rule for MVPDs to be notified 90 days in advance of any such a move of ATSC-1 services. MVPD representatives have informed us that even with the required 90 days of notification, the changes the cable operators require are difficult to accomplish within that time period.

Said in another manner, how the station's signals are switched and identified inside MVPD facilities is quite complex, so they must receive as much advance notice as practical to ensure they have the facilities required to cope with the transition. In many markets MVPDs provide over 70% or more of the viewing audience or more, so this detail is critical in successful market planning.

In the end, the goal is to clear the current legacy (ATSC-1) digital services from a host channel. When a complete channel is cleared, after licensing, clearing the appropriate rights and building NEXTGEN TV facilities, the cleared spectrum provides the means of transmission of NEXTGEN TV Services by the sharing partners.

This spectrum clearing will require extraordinary local coordination. The main HD service as well as the multicasts from the host station are likely to be carried on different channels of the willing partner's stations. As mentioned, the use of PSIP provides the legacy station's logical identity to all receivers will be used to ensure that the viewers will be able to find their favorite services by the same virtual channel number despite the service being moved to a different physical channel. This sounds too simple to be true, but it does work in practice.

Having your signal transmitted by another station requires a carriage agreement between the parties and must be attested to in the license modification application procedure. This is one of the items that requires coordination. The networks and content producers supplying the programming for those services will also need to provide their written permission as well for these changes.

Part of the local coordination effort that needs to be determined is how the various legacy streams will get from the NEXTGEN TV Host station that is clearing its spectrum to the stations that will provide spectrum for their use. If the partner stations happen to share a common facility (as in a duopoly or stations with shared services) then likely that is not a problem. However, in alternative cases there are very cost-effective ways that video and audio services can be delivered using both public (as in broadband Internet) and private facilities. These facilities use local fiber, Internet or microwave. No one size will fit every circumstance.

GETTING STARTED

In all cases, television broadcasting is the best platform to provide notifications to its viewers using its own promotional platform to announce these changes as to when they occur, as well as when the market rescan is required. If done properly with enough advance notice, there should be little if any market disruption.

STEP TWO – BUILDING THE NEXTGEN TV SERVICES

Identifying Requirements for NEXTGEN TV Services

The second step after working through the issues of clearing the spectrum is to see if there is enough capacity to establish NEXTGEN TV services for all partner needs.

During the initial years of the NEXTGEN TV transition broadcasters will need to share a common channel or channels. These are colloquially known as a “Lighthouse” since they will provide the incentive for the viewers to watch the new services. More accurately, these should be referred to as NEXTGEN TV Host stations. Each broadcast partner in the NEXTGEN TV Host station will hopefully (but are not required to) be able to replicate its legacy coverage with a minimum transmission S/N threshold of 15.5 dB if appropriate modulation and coding characteristics are selected in their NEXTGEN TV physical transmission layer. If those characteristics are used, you can expect the usable digital bandwidth in a single NEXTGEN TV RF channel of about 23 or 24 Mb/sec.

At the same time, it is likely that most broadcasters will require NEXTGEN TV scan rate and image qualities at least equal to and conceivably better than their current legacy simulcast ATSC-1 digital service. In practice this can be achieved using about 4 to 5 or so Mb/sec per stream in HEVC, preferably at a variable bit rate, while utilizing statistical multiplexing. These rates are consistent with a rule-of-thumb that H.265, HEVC video encoding is about 4 times more efficient than MPEG-2 used currently in ATSC-1. Said differently a 4 Mb/sec HEVC stream can provide equivalent quality as a MPEG-2 of up to 16 Mb/sec signal depending on image content.

Using this general rule of thumb, a single standard RF channel can easily accommodate 4 to 5 or more 1080P HD progressive scanned NEXTGEN TV services because of the greatly improved efficiency of its more modern encoding. Said in another way, 4 or 5 partners can be accommodated with their primary services in a single 6 MHz channel with about the same market coverage as their legacy services.

Additionally, the enabling FCC rule requires the simulcast legacy ATSC-1 primary services be substantially the same as the NEXTGEN TV transmission in terms of program content. Small items such as commercials or promotional messages or image characteristics can be different, but the overall programming must be the same. The resolution and technical features of the services are

GETTING STARTED

permitted to be different (as in resolution, high dynamic range or possibly numbers of audio channels) but otherwise should be substantially the same in program content as the station's NEXTGEN TV transmission.

Coverage and Service Considerations

The FCC in its enabling NEXTGEN TV Report and Order imposes two requirements regarding coverage during this simulcast period. First, the shared facilities of where the host legacy ATSC-1 signal resides must replicate 95% of its original coverage. That is so the audience for the current ATSC-1 signal of the host station is not significantly impaired. However, as mentioned, no such requirements are placed on the new NEXTGEN TV service for equal coverage.

Secondly, during the FCC mandated simulcast period (All NextGen stations must simulcast in ATSC 1.0 and 3.0 until July 17, 2023. The FCC will re-examine this deadline one year before the current deadline date) any station that chooses transmit on the NEXTGEN TV Host must be simulcast with substantially the same content on their primary service on their ATSC-1 legacy service. It would also be likely that any broadcaster would want to replicate the coverage area in the new service of their original legacy service. Equal coverage is something we should all strive for, so the new service is not considered a service of less quality or reliability.

Although some requirements are mandated by FCC rule, it is also what any responsible broadcaster would want. Broadcasters always want to retain or grow their audience while providing a quality of signal that is at least as good, if not better than the previous service.

Host and Tenant Considerations

As mentioned earlier, when market partnerships are crafted as part of that process there needs to also be a series of Channel Sharing (Carriage) Agreements created to allow for the displaced services from the host and other stations to meet the FCC requirements.

Also, there are several legal, content permission, FCC and capital ownership issues to be considered as well. Likely, there will be separate agreements between the broadcasters involved as well as the required permissions from the networks and/or all the other content owners involved. Additionally, the cleared channel's service move must be authorized by the FCC in the form of a license modification using Form 2100 Part B (for full power stations) on the FCC's LMS.

Each partner must obtain FCC authorization for transmitting in NEXTGEN TV. Luckily, this request for modification of facilities is a streamlined as provided in the FCC NEXTGEN TV Report and Order and described later in this manual.

GETTING STARTED

Lastly, as part of the partnership agreement there needs to be consideration about the ownership of all the equipment required to create the NEXTGEN TV Host transmission. Some of the equipment will be unique to each station's use (as in the encoders). However, much of the equipment will be used in common (as in Route/Guide Building, Broadcast Gateway, Exciter, Transmitter, Transmission Line and Antenna).

Space leases, even at little or no cost may need consideration because often they include a term, liability assignment, use and free access rights.

Also, common site continuing costs will need to be considered in any agreement. There is power, rent, equipment maintenance and so forth to be considered.

Shared NEXTGEN TV Transmission Facilities.

The market partnership may decide that the transmitter, filter, transmission line and antenna originally used by the host station whose spectrum was cleared would provide an adequate facility particularly during the initial years of the transition. However, there are some other options that should or must be considered.

The new ATSC-3 NEXTGEN TV standard has a higher peak to average power ratio than the current ATSC-1 DTV service. That sounds like daunting jargon, but what it means is that although there are similar power output requirements required of both the old and new services, there are transient power excursions in the new service that may exceed what has been required in the past. This necessitates either reducing average power to allow for these transients in older transmitters or buying a transmitter that has been designed to deal with these larger transient (peak) requirements. No one size fits all in this case and the transmitter's manufacturer in question is the best source of information about the capabilities of the legacy transmitter being used. Since transmitters are not built to the precise power levels required by the legacy hosting station, often there is already enough capacity built in. In fact, in many circumstances the transmitter is already over-sized by a sufficient amount to handle the additional transient requirements.

Between the transmitter and the antenna in all current ATSC-1 transmission facilities is a filter. Often this filter will prove to be adequate for the new NEXTGEN TV transmission, but the new service has more energy (power) at the edge of the channel. There is a concern if there is the possibility of adjacent channel interference either in-market or in a close-by market, this filter may require replacement with one with better (higher Q) edge rejection characteristics to protect the adjacent channel from interference. If adjacent channel interference is not an issue in the market, then the current filter in use is likely to be acceptable.

GETTING STARTED

As for the antenna, generally all antennas are rated in their horizontal polarization characteristics for FCC licensing purposes. However, since the new NEXTGEN TV service may provide opportunities for portable or mobile use, many broadcasters are considering replacing their antennas with units that have a small (let us say 25 to 30%) vertical polarization component. Since the FCC only considers horizontal component in their licensing, adding some vertical transmission capability requires replacement or modification of their antenna as well as requiring a corresponding amount of additional transmitter power to keep the horizontal power output the same. Roughly speaking, adding 30% vertical component via a different cross polarized antenna requires 30% more transmitter power.

The exciter used by the transmitter as well may need to be changed if it is more than a few years old. Newer (under 3 or 5 years old) exciters generally may be software upgraded to NEXTGEN TV service at a reduced cost as compared to replacing the complete exciter. You will need to check with its manufacturer.

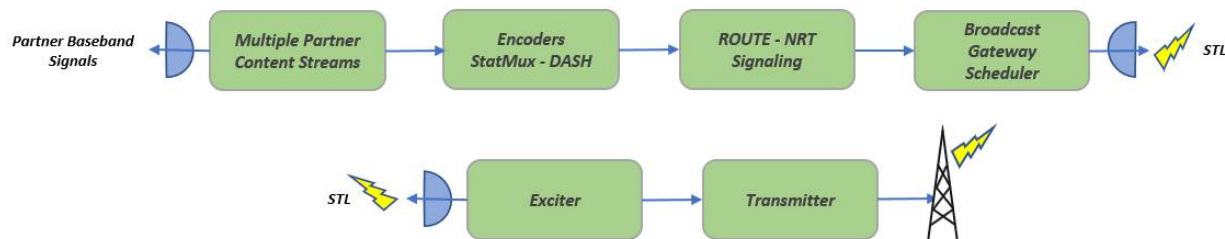
The NEXTGEN TV service utilizes IP (Internet Protocol) as its major transport within the hosting facilities as well as at the transmitter. Therefore, if the Studio to Transmitter Link used to send the station's signal from the originating facility to the transmission site is not capable of IP transport transmission, it will need to be replaced with one that is IP capable. Luckily, IP microwave and fiber facilities are used by many industries, so their costs reflect their commodity scale of use.

The STL will be fed with a NEXTGEN TV Broadcast Gateway/Scheduler. This device is the controlling system for proper transmission of the NEXTGEN TV signal. It provides all the studio equipment's coordination, proper viewer receiver signaling and secure IP stream delivery to the exciter.

The Gateway/Scheduler is fed by the ROUTE Packetizer/ Signaling device. This device takes the ISO-BMFF segments from the DASH packager/encoders which contain the encoded video and audio and closed caption streams and assigns these streams IP addresses that will be used by the viewer's receiver to make sure the various services are identified and displayed properly in the viewer's receiver. The ROUTE Packetizer/ Signaling device is also the source of service signaling, non-real-time (NRT) file delivery to the receiver as in the service guide, broadcaster application and advanced alerting.

Often statistical multiplexing is used with the audio and video streams to share the available bandwidth for these streams in the most efficient manner.

GETTING STARTED



Getting the Services from the Partners to the NEXTGEN TV Host Aggregation Facility

Each of the partner's services must be delivered from the partner's locations to the transmission aggregation location which likely is in the NEXTGEN TV Host's studio facilities. There are many ways in getting those legacy signals from the originating stations to the NEXTGEN TV Host aggregation point.

The simplest and most cost-effective method in many markets is to just take the partner's signal off the air. The legacy signal is in digital format, so if the reception characteristics are good at the NEXTGEN TV Host transmission location, this may be a cost-effective method to provide the signal.

Alternatively, there is often microwave or fiber using a private local facility or public (broadband) connectivity available. There is cost-effective equipment and methodologies available with forward error correction for use in any of these scenarios that will deliver to the NEXTGEN TV Host facility partner services with the best possible quality and reliability.

In all cases the services will require transcoding to HEVC and AC-4 from their native formats. Therefore, providing the greatest available video and audio quality to the host station by the most economical and reliable method is the best guide.

Many markets have opted for utilizing "mezzanine" data rates of 20 Mb/sec or so from the guest to the host transmission facilities. These higher data rates are economically possible using modern broadband Internet based facilities that use substantial Forward Error Correction to provide high quality, reliable service.

Single Frequency Network Considerations

While broadcasters are sharing facilities for NEXTGEN TV, the use of a Single Frequency Networks is also possible. Since SFNs do not require additional bandwidth to operate within a market, they provide a potential solution for coverage issues in a market with spot coverage concerns or to provide better signal levels near the edge of the market coverage.

GETTING STARTED

As with some of the equipment that would be required in a single NEXTGEN TV Host facility, a local agreement will need to be created to cover the design, installation, legal and equipment ownership costs. Additionally, there is likely to be ongoing operating costs associated with tower and real property rent, power, support and connectivity.

Facilities are also being planned that will provide SFN capabilities in markets as a service. Essentially, third party companies will provide the facilities within the market and provide the signal as a service to contracting individual stations or partnerships. These arrangements are not unlike those currently being provided in the two-way radio and other wireless services.

Any market partnership should consider the possibility of a future SFN while creating their initial partnership even if it is not required when the NEXTGEN TV Host station is first placed on the air. Thinking ahead about this possibility, even if it is remote while the partnership agreement is created, removes a potential future barrier when the decision eventually needs to be made in earnest.

The reader can learn more about SFNs and how they work later in this manual.

FCC Authorization (Licensing)

The FCC's Mass Media Bureau has provided a means to provide the authorizations required by making use of their web-based Licensing and Management System, also called LMS.

The Media Bureau has revised FCC Form 2100, Schedule B (full-service television stations), Schedule D (low-power and television translator stations), and Schedule F (Class A television stations), so that broadcasters may now file applications for modification of licenses to authorize the transmission of NEXTGEN TV broadcast signals. The application procedure uses the FCC's License and Management System (LMS) website.

All licensed full-power, Class A, low-power television (LPTV), and TV translator stations, except for licensed channel sharing stations, may also file for NEXTGEN TV services as well. Currently, licensed channel shares that came about via the recent auction activity will need to wait in making a NEXTGEN TV request. The FCC has announced that it is continuing to modify its LMS to accommodate NEXTGEN TV license applications for channel sharing stations and will hopefully be able to accommodate those requests shortly.

It is important to understand that the procedure described is for modifications of current valid broadcast licenses only and do not follow the usual and likely more familiar Construction Permit and Full Authorization route. As such, the new services cannot be moved and turned on until the authorization applications are approved.

The Media Bureau staff is committed to turn around these applications for modification quickly within 30 days or so.

There are six different circumstances that this modification application procedure covers. The broadcaster filing must pick from just one of the following:

- Converting an existing 1.0 facility to 3.0 service and identifying a 1.0 simulcast host.
- Identifying or changing 1.0 simulcast host station.
- Identifying or changing 3.0 host station.
- Discontinuing 3.0 guest service.
- Converting 3.0 facility back to 1.0 service.
- Discontinuing 1.0 simulcast service on a host station.

GETTING STARTED

The FCC Report and Order, Part 73 and 74 Rules and Public Notices governing NEXTGEN TV are provided in the Reference section of this manual. It is suggested that the broadcaster should read the applicable rules and footnotes as some of the details are critical.

Currently, the FCC has suggested that if a market NEXTGEN TV Host facility is considering use of a Single Frequency Network to enhance its transmission that applying entity must apply for this authority before applying for the required authority to transmit the ATSC-3 signal. This request is not based on any technical or rule requirement, but on how FCC processes currently work.

Multichannel Video-Programming Distributors (MVPD)

The FCC's rules regarding the voluntary simulcast transmission of NEXTGEN TV include an important requirement to notify all market MVPDs (Cable/DBS/IP operators) within the station's coverage area of the anticipated changes that will be made in the over-the-air virtual channels within their market coverage.

A definition of an MVPD is a cable operator, multichannel multipoint distribution service, a direct-broadcast satellite service, or a television receive-only satellite program distributor, who makes available for purchase, by subscribers or customers, multiple channels of video programming,

Here is the actual FCC rule requirement from 47 CFR 73.3801, the details of notification are important to note:

(h) Notice to MVPDs.

(1) NEXTGEN TV stations relocating their ATSC 1.0 signals (e.g., moving to a temporary host station's facility, subsequently moving to a different host, or returning to its original facility) must provide notice to MVPDs that:

(i) No longer will be required to carry the station's ATSC 1.0 signal due to the relocation;
or

(ii) Carry and will continue to be obligated to carry the station's ATSC 1.0 signal from the new location.

(2) The notice required by this section must contain the following information:

(i) Date and time of any ATSC 1.0 channel changes;

(ii) The ATSC 1.0 channel occupied by the station before and after commencement of local simulcasting;

(iii) Modification, if any, to antenna position, location, or power levels;

(iv) Stream identification information; and

(v) Engineering staff contact information.

(3) If any of the information in paragraph (h)(2) of this section changes, an amended notification must be sent.

GETTING STARTED

(4)

(i) NEXTGEN TV stations must provide notice as required by this section:

(A) At least 120 days in advance of relocating their ATSC 1.0 signals if the relocation occurs during the post-incentive auction transition period; (now complete) or

(B) At least 90 days in advance of relocating their ATSC 1.0 signals if the relocation occurs after the post-incentive auction transition period (see 47 CFR 27.4).

(ii) If the anticipated date of the ATSC 1.0 signal relocation changes, the station must send a further notice to affected MVPDs informing them of the new anticipated date.

(5) NEXTGEN TV stations may choose whether to provide notice as required by this section either by a letter notification or electronically via email if the relevant MVPD agrees to receive such notices by email. Letter notifications to MVPDs must be sent by certified mail, return receipt requested to the MVPD's address in the FCC's Online Public Inspection File (OPIF), if the MVPD has an online file. For cable systems that do not have an online file, notices must be sent to the cable system's official address of record provided in the system's most recent filing in the FCC's Cable Operations and Licensing System (COALS). For MVPDs with no official address in OPIF or COALS, the letter must be sent to the MVPD's official corporate address registered with their State of incorporation.

-----++++-----

This rule indicates this notification must be made 120 days in advance of any changes required before the repack which is now complete or 90 days post the now completed repack.

The MVPD industry has many technical considerations when stations markets make logical changes in the location of market broadcast services that may be difficult for MVPDs to accomplish quickly.

Most MVPDs receive an individual broadcaster's signals by more than one means. Typically, the primary feed may be via fiber or microwave or alternatively the primary feed may be over-the-air and the backup will be the fiber. Also, there are many cases where one cable company or headend feeds another in a cooperative effort to obtain the best and most reliable signal source.

When cable receives their signal from the broadcaster via fiber for example, generally this will be in the form a MPEG 2 Transport carrying multiple sub-streams (the primary HD along with multicast sub-streams). The primary and sub-streams essentially reflect the station services prior

GETTING STARTED

to service moves to other ATSC-1 host stations to clear the spectrum required to enable an ATSC-3 NEXTGEN TV Host.

After the spectrum is cleared to make way for the ATSC-3 services, this transport stream will still reflect the logical services provided by all the market broadcaster's signals, but not necessarily the physical locations of those services over-the-air. In short there will be a disconnect between what is provided via one delivery means versus the possible alternative delivery to the MVPD. It can be seen more clearly in the graphic below. After the spectrum for the NEXTGEN TV Host channel has been cleared (in this case the NBC station WZZZ), the feeds coming via fiber may not reflect the over the air versions of the same streams. The logical (PSIP designated) labeling of each stream will remain the same, but the versions provided via fiber (or microwave) and over-the-air to the MVPD headend may differ.

1.0 Broadcaster Fiber Transport to Cable Headends (primary or backup)			
Call Sign:	WXXX	WYYY	WZZZ
HD 1:	IND 1080i	ABC 720p	NBC 1080i
HD 2:			
SD 1:	Esc 480i	Bnc 480i	Ths 480i
SD 2:	Open Slot	Laf 480i	Ant 480i
SD 3:	Open Slot	Open Slot	Open Slot
SD 4:	Open Slot	Open Slot	Open Slot
SD 5:	Open Slot	Open Slot	Open Slot
SD 6:	Open Slot	Open Slot	Open Slot

1.0 Over-the-Air Broadcasts (primary or backup)		
Call Sign:	WXXX	WYYY
HD 1:	IND 1080i	ABC 720p
HD 2:	WZZZ - NBC 1080i	
SD 1:	Esc 480i	Bnc 480i
SD 2:	Open Slot	Laf 480i
SD 3:	Open Slot	Ths 480i
SD 4:	Open Slot	Ant 480i
SD 5:	Open Slot	Open Slot
SD 6:	Open Slot	Open Slot

Realignment of ATSC-1 Services to Create Sufficient Spectrum for NEXTGEN TV Host

Regardless of which means the MVPDs use as primary and backup, their over-the-air receivers will now need to be mapped to these services in the physical transport streams of the services within the channel makeup which is quite different than their fiber feeds. This difference would seem minor, but the technology used by many MVPDs makes this particularly difficult to solve quickly.

GETTING STARTED

This problem is made even more confusing by the fact that many physical MVPD head-ends feed other cable systems or sub-head-ends, that have completely different channel mappings and multiplexes.

GETTING STARTED

NEXTGEN TV Market Viewer Notification Suggested Guidelines

The FCC rule that enables NEXTGEN TV found in 47 CFR 73.3801 “Full Power Television Simulcasting During the ATSC 3.0 (NEXTGEN TV) Transition” specifically calls for and requires “consumer” (viewer) education for NEXTGEN TV for stations relocating their ATSC 1.0 signals or transitioning directly to ATSC 3.0. Each PSA or crawl must provide all pertinent information to consumers at least 30 days prior to the transition (move) of ATSC-1 services. These notifications must also be in the language of the predominant programming of the station involved. We also suggest providing wider distribution as well including mention within station newscasts and website(s).

Pearl TV on behalf of the Phoenix Partners have provided below more specifically defined industry-wide messaging for the market television viewers about the NEXTGEN TV service and technology brand, including:

- Suggested language for on-air crawls required during the transition.
- Suggested language for station website and digital/social.
- Still images for go-to-market digital messaging and promotion.

SUGGESTED TRANSITION RESCANNING CRAWL INFORMATION

Crawl/Daily Public Service Announcements (PSAs) FCC Requirements

You will find below guidance as to what the FCC Rule requirements are for delivering viewer education regarding the changes that will occur in the placement of the station’s transmissions as a result of the clearance of spectrum required to accommodate the NEXTGEN TV broadcasts. This guidance is for the reader’s reference only, please consult your legal department for specific requirements:

- Daily Public Service Announcements (PSAs) and/or crawls should not block closed captioning and emergency information.
- Must be aired every day for at least 30 days prior to the date that the stations will move their ATSC 1.0 operations from their existing facilities.
- This is a minimum requirement. Recommend frequency is at least 3-4 minutes per day, increasing as launch date approaches, rotating through day parts.
- Stations may air a mix of PSAs and crawls.

GETTING STARTED

- Stations have the discretion to choose the timeslots in which their PSAs or crawls will air.
- Must be closed captioned.
- Must be in the same language as a majority of the programming.
 - Consider doing in second language for markets with significant second-language audience.
- Although not required, recommend airing PSAs on each DTV subchannel as well as primary (if possible). However, we acknowledge that many multicasts are pass-through, with no insert or modifications possible.
- Although FCC does not mandate any specific verbiage, PSAs/crawls must provide all pertinent information to consumers.
 - Viewers will need to be informed if stations they view will be changing channels and encouraged to rescan their receivers for new channel assignments.
 - FCC encourages stations to include in their on-air notice information about the availability of external tuner dongles and gateway devices that can be used to upgrade viewers' TV receivers to receive NEXTGEN TV transmissions, to the extent that such equipment is available. It is suggested to include external device information in future waves of transition, not the first one.
- A fixed, no-preemption contract should be created in the station's traffic system for specific play times for all the scheduled notices. The station should also retain the relevant logs as proof that these notices ran as contracted without pre-emptions.

Suggested Crawl Content

Below please find the suggested crawl verbiage that must appear periodically at least 30 days in advance of the transition. Below this recommended copy is guidelines for placing the crawl within the broadcasts. Here is the recommended copy:

Attention: This station is moving frequencies to upgrade its signal to NEXTGEN TV on (date) at (time). If you require an antenna to watch TV, you must rescan your television after (date) at (time) to continue receiving this channel. After this date, viewers with a NEXTGEN TV receiver will get an enhanced viewing experience. To learn more, visit (website) or call (station number) during normal business hours. Cable and satellite viewers are not affected by this change.

GETTING STARTED

STATION WEBSITE RECOMMENDATIONS

Pearl TV on behalf of the Phoenix Partners suggest that stations making the transition to NEXTGEN TV should also have a page on their websites informing viewers of the NEXTGEN TV transition. Suggested copy is provided below, which include:

- What the new service will be and why this all is necessary for the benefit of “you”, the viewer
- The applicable transition date/time
- Rescan instructions (or links to other informative websites or tutorials)
- A brief description of NEXTGEN TV and how to receive the ATSC 3.0 signal
- A designated contact person at the station that is prepared to assist viewers with rescan questions (not included in sample text)
- Directions to know how to purchase a new NEXTGEN TV receiver, e.g. go to link: <https://www.watchnextgentv.com>

SUGGESTED COPY FOR STATION WEBSITES

Please find below suggested copy to use withing the station’s website. The specific copy needs to be amended to fit the unique circumstances of the market’s transmission, but this copy provides the sense of what should be included. The recommended copy follows in italics:

Why it is Important for Viewers That Have Their TVs Connected to an Antenna Must Rescan After (date) at (time)

(Station) is moving frequencies to upgrade its signal to NEXTGEN TV on (date) at (time). If you use an antenna to watch TV for free, you must rescan your television after (date) at (time) to continue receiving this channel. After this date, viewers with a NEXTGEN TV receiver will receive an enhanced viewing experience. To learn more about the benefits of Next Gen TV, visit WatchNextGenTV.com. Cable and satellite viewers are not affected.

How to Rescan Your Antenna Connected Television

If you use on an antenna to watch free, over-the-air television, you must rescan your TV set after (date) at (time) to continue to receive (station).

GETTING STARTED

Rescanning is when your TV finds all of the available channels in your area. You do not need to purchase new equipment or services to rescan. If you are a cable or satellite subscriber, a rescan is not required.

- 1. Select Scan or Autotune from your TV or converter box control menu to start the scanning process.*
- 2. Your TV will do the rest. This process usually takes a few minutes to complete.*

Once this rescan is complete you will still find (station) on the same channel number as before. If you have rescanning difficulties, you can usually find instructions by selecting the Set-Up or Menu button on your television or converter box remote control. You can also consult the TV or converter box owner's manual for detailed instructions on how to run a channel scan or contact customer service for your TV or converter box manufacturer.

What is NEXTGEN TV?

NEXTGEN TV is enhanced broadcast television technology that combines the benefits of broadcast with broadband TV viewing. It provides stunning video with brilliant color, sharper images and deeper contrast, as well as movie theater-quality sound that lets you hear every voice clearly and offers consistent volume across channels. Over time, NEXTGEN TV will be enhanced to give viewers the best of live sports, news, events and more, in real time.

As technology advances, so will NEXTGEN TV. By merging over-the-air antenna TV with the internet, local stations like (station) will be able to personalize news, sports, live events and shows with interactive features that give viewers the content that is most relevant.

A NEXTGEN TV set, combined with an antenna and an internet connection, is all you need to enjoy this enhanced viewing experience. Many new television sets from LG Electronics, Samsung and Sony already come equipped to receive Next Gen TV. To learn more, visit <https://www.watchnextgentv.com>.

GETTING STARTED

IMAGES FOR DIGITAL USE

Digital images are available in the link below as assets for digital promotion. You are welcome to download them from this Dropbox folder:

<https://www.dropbox.com/sh/amknem7db2qml3j/AADvoI2vaY6c5m6mHRNoIE7ya?dl=0>

BASIC TV SERVICE PROMOTION

Service promotion messaging is intended to drive awareness about the NEXTGEN TV service. It should clearly identify when NEXTGEN TV becomes available in your market, advertise its benefits and exclusive features, explain how it works, and encourage viewer adoption.

WEB BASED INFORMATION

Pearl TV maintains a promotional website in support of the most current NEXTGEN TV information. The website can be found at <https://www.watchnextgentv.com/>

GETTING STARTED

Master Checklist

AGREEMENTS, BUSINESS AND LICENSING

- ✓ Formal market partnership is created.
- ✓ Governance agreement of the market partnership
- ✓ All broadcast partners enter into agreement(s) including the sharing of displaced ATSC-1 services as well as use of the host station for NEXTGEN TV - ATSC-3
- ✓ Market coordinator engaged or identified if required.
- ✓ Hosting agreements to transmit legacy NEXTGEN TV Host's ATSC-1 primary and multicast signals
- ✓ Channel Sharing agreements as required by the license modification rules.
- ✓ Possible separate agreement for financial arrangements between some of the parties (as in entities not providing facilities but wanting to be part of partnership for transmission)
- ✓ Capital purchase arrangements and stated (wholly owned or shared) ownership of capital equipment (several different models)
 - Shared ownership
 - Lease/rent
 - Leaseback
 - Each partner only pays for their equipment required.
- ✓ Operating expense arrangements amongst parties (as in paying electricity/use of facilities/taxes/rent/depreciation)
- ✓ Primary Network approvals for legacy (hosting) station moves and NEXTGEN TV simulcast
- ✓ Multicast Network approvals for legacy (hosting) station moves and NEXTGEN TV simulcast
- ✓ Syndicator approvals for legacy (hosting) station moves.
- ✓ Possible MVPD retransmission agreement(s) notification obligations
- ✓ Regulatory-based MVPD legal notification. Suggest early as possible reach out, but not later than 90 days prior to going on the air.
- ✓ Notification(s) to Nielsen of all the impending changes in transmission frequencies and locations of legacy and new transmission services
- ✓ Agreement for FCC Program Reporting as required
- ✓ Logging Responsibility
- ✓ Pass-through of EAS testing

GETTING STARTED

- ✓ Legal IDs passed through

TECHNICAL CONSIDERATIONS

- ✓ NEXTGEN TV license modifications must be approved and MVPD notification period must be complete before partners turn on the facilities.
- ✓ Create publicity for partners now transmitting on NEXTGEN TV facilities to create market interest in NEXTGEN TV and educate market on required local market rescan.
- ✓ Determine method to deliver legacy ATSC-1 services to hosting stations to clear channel.
- ✓ Order any equipment or facilities to move legacy signals to hosts.
- ✓ Arrange for OTA monitoring for all partner stations of hosted signals (NEXTGEN TV and legacy)
- ✓ Obtain appropriate licenses and or upgrades for ATSC-1 PSIP Guide services (may require replacing guide building hardware/software in ATSC-1 hosting stations)
- ✓ Determine performance of current ATSC-1 encoders and possibly new ATSC-1 MPEG-2 encoder(s) installations at stations hosting displaced ATSC-1 services to obtain efficiencies required.
- ✓ Meet with MVPDs and deliver formal market notification as required by the FCC rules to provide the longest lead time for their requirements. 90 days is now the minimum required now that we are post repack.
- ✓ Design ATSC-3 NEXTGEN TV Host facilities
- ✓ Determine primary ATSC-3 equipment vendors and sign contracts for new equipment considering:
 - Decoding and or interface equipment to import legacy services to feed up/down/cross and encoding equipment.
 - Fiber, Microwave, OTA demodulators
 - MPEG2 TS, SDI, or IP interfaces
 - Up/Down Cross Conversion possibly required.
 - An ATSC-3 watermark embedder should be included for each service for the broadcaster's use of the audio watermark as described in ATSC A/344:2016
 - Encoders (one per service, usually packaged multiple encoders per hardware unit) with Variable Bit Rate and statistical multiplex capability (not all encoders are capable).
 - CENC encoder (for DRM) and required licensing for A3SA
 - Packager (usually integral to encoding but not always)
 - ROUTE Encapsulation/Signaling Server/ Guide Insertion
 - Scheduler/Broadcast Gateway

GETTING STARTED

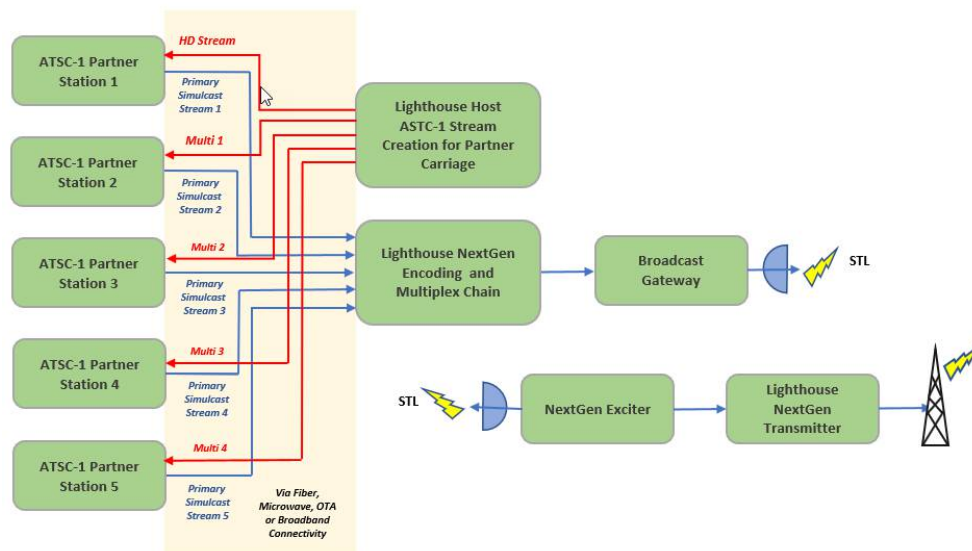
- Possible router for STL if shared facility with other services
- IP Patching
- At least three or possibly four enterprise-grade managed 24-48 port switches.
- Hardware VPN portal
- Broadband connectivity
- STL capable of > 50Mb/sec or so in IP UDP/RTP Multicast
- Monitoring (as in a Triveni StreamScope or StreamScope Verifier)
- Good laptop (for Packet Capture PCAP record and play)
- Enterprise grade KVM
- OTA receiver (as in Aster or DVEO)
- At least one half to one full empty rack/dual power
- Uninterrupted Power Supply
- ✓ Design and build connectivity from NEXTGEN TV Host station to ATSC-1 hosting stations (if required)
 - Fiber or
 - Microwave
 - Broadband tunneled with deep FEC (as in Zixi-enabled or LTN Networks)
 - Build connectivity if required from partner stations to NEXTGEN TV Host facilities
 - Over-the-Air

GETTING STARTED

Purchasing ATSC-1 Equipment

NEXTGEN TV Host station must clear its spectrum by moving its ATSC-1 services to other partner channels. The capabilities of the partner station's facilities are critical to making these moves possible. The equipment that is likely required at partner stations to clear the ATSC-1 spectrum:

- Fiber modems, broadband interfaces or microwave to transport IP or ATSC-1 Transport Streams or SDI to the NEXTGEN TV Host station
- Fiber modems, broadband interfaces or microwave to transport IP or ATSC-1 Transport Streams or SDI to stations hosting the NEXTGEN TV Host station legacy primary or multicast streams.
- Additional ATSC-1 PSIP guide channel licenses for each service moved (and subscription services)
- An ATSC-3 watermark embedder should be included for each service for the Broadcaster's use of the audio watermark as described in ATSC A/344:2016.
- Possibly separate Nielsen encoding equipment depending on where in the transport chain the services are extracted from.
- More efficient ATSC-1 MPEG-2 encoders. If the ATSC-1 MPEG-2 encoders have been already deployed are relatively new and most efficient, additional service licenses may be required.
- Monitoring equipment to ensure the services are on the air at each location.



Delivering Services to Partners in a Market

GETTING STARTED

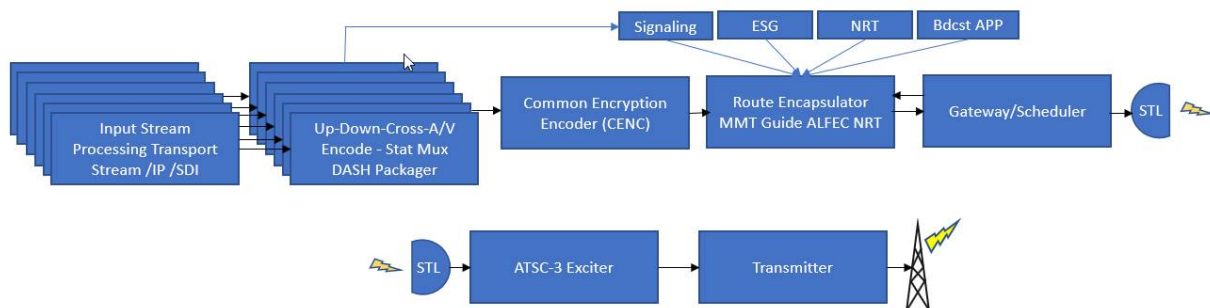
Purchasing ATSC-3 Equipment

ATSC-3 equipment functionality is often physically packaged in different ways, so only the technical requirements are indicated below keeping in mind that multiple functions can appear in a single physical package.

When purchasing equipment for a ATSC-3 NEXTGEN TV Host system the functionality will appear as below at its simplest form. However, many of these are logical functions and will likely reside in a single physical device as with the multiple UP/Down/Cross video converters, video encoders, statistical multiplexer, audio encoders as well as the DASH packager. Alternatively, other manufacturers have placed all the functions from audio and video input to Broadcast Gateway/Scheduler output in a single virtual server-based device.

These are software-only-based systems and generally operated on PC-based server devices. Software-based devices provide easy upgrade and configuration with a web-based GUI. Also, because this is computer/software-based equipment, care is taken in power conditioning and service backup.

Please note the IP Addressing section in the Operations section. It is strongly recommended that in the design network topology of a NEXTGEN TV Host facility, high quality managed switches, patching and routing are always used. Much of the data is UDP Multicast by way of VLANs that require conservative network topological techniques. Also, broadband control connectivity should always use VPN connectivity, remote desktop services with the use of dual NIC cards.



Full Multi-Service ATSC-3 NEXTGEN TV Transmission Chain

GETTING STARTED

Overall Transmission and Receiver Requirements

TRANSPORT (ROUTE/DASH, MMT)

Feature	Description
CMAF Container	<p>This is a work in progress that depends upon MPEG completing HEVC media profiles and DASH-IF IOP v5 working draft completion. CMAF will be required going forward once the standards work and testing is complete. We would like to test in 2021, with a goal of supporting CMAF in 2022 products. When implemented in encoding equipment CMAF should be 3.0 conformant and that there should be no receiver breakage when encoders support it. But this depends on how robust the receivers are today.</p>
Segment Lengths	<p>As Segment length can directly affect channel tune times, the recommendation from Phoenix is 2 seconds. It is expected to relax this recommendation when CMAF is deployed</p>
MPD-less Startup	<p>Per A/331, as amended to explain how it works.</p>
Multi-period MPDs	<p>Multi-period DASH manifests can be expected for live linear services. The purpose of different periods includes program level changes and possibly ad identification. Periods could have different DRM schemes.</p> <p>NOTE: Multi-Period is not supported by all receivers at this time (Q1-2021) Receiver testing still underway</p>
Segment Timelines (\$Time\$) and Segment Numbering (\$Number\$)	<p>Both segment types should be supported.</p> <p>NOTE: Segment Timelines are not supported by all packaging equipment at this time (Q1-2021). Likewise, thorough receiver testing is still underway.</p>

GETTING STARTED

MPD xlinks	For Receiver and broadcaster application usage, possibly including content replacement.
<p>Connectivity:</p> <ul style="list-style-type: none"> • Never connected to broadband • Sometimes connected to broadband (e.g. mobile when within service coverage) • Always connected to broadband 	<p>Receivers need to be capable of rendering A/V and execute applications with or without access to broadband.</p> <p>Broadcaster app features may be different for the 3 different configurations.</p> <p>Some services may require connectivity in order to take advantage of supplemental content, higher-order content protection, or other feature support.</p>
AL-FEC, with Repair Flow for NRT	<p>Broadcasters can enable AL-FEC to improve delivery and reception of services, including NRT.</p> <p>Current and future receivers that do not take advantage of AL-FEC should function properly when enabled in the emission.</p>
Layered Divisional Multiplexing (LDM)	Broadcasters can enable LDM in order to efficiently deliver multiple services with different robustness and throughputs in one TV channel.
MMT	<p>Alternative Transport to ROUTE/DASH</p> <p>As MMT was deployed in the field in 2021, it is imperative for receivers and encoders to support MMT</p>
DWD	<p>Distribution Window Description, for scheduled NRT delivery.</p> <p>DWD is likely a 2022 imperative for automotive and distance learning imperatives.</p>
Hybrid Delivery of A/V	Delivery of alternative A/V (OTA and broadband) and primary A/V (broadband OTA)
Channel Bonding	Excluded (May be desirable in 2+ years, but probably not for Video delivery)
Return Channel	Non-Internet return channel (A/323) excluded

GETTING STARTED

VIDEO REQUIREMENTS

Feature	Description
Constant or Variable Frame Rate Encoding	User selectable
HEVC	Profile, resolutions and frame rates per ATSC A/341
HEVC: Picture Parameter Set (PPS)	Single PPS (required)
Progressive Formats: 540p, 720p, 1080p, 2160p **	4K services are anticipated for specific events
Interlaced Formats: 1080i, 480i	Support of legacy, only if required
Frame Rates: 120, 60, 59.94, 29.97, 30	Fractional (for Legacy) and Integer rates supported
SHVC: General:	With and without the use of LDM Progressive formats only Base Layer (BL) and Enhanced Layer (EL) constrained to have the same frame rate, bit depth, dynamic range and color space (per (A/341)
SHVC: Spatial, 2 tracks separate encryption	Two configurations: <ol style="list-style-type: none"> Two licenses: one for BL only one with BL & EL Two licenses: one for BL and one for EL
SHVC: Broadband delivery of Enhancement Layer	Broadband delivery of Enhancement Layer is desirable due to the limited bandwidth available during the transition.
SHVC Configurations: BL: 360p (OTA), EL: 720p (OTA, OTT) BL: 540p (OTA), EL: 1080p (OTA, OTT) BL: 720p (OTA), EL:1080p (OTA, OTT) BL: 1080p (OTA), EL:2160p (OTA, OTT) 4K (2160P) may be optional	
Broadband delivery of Video/Audio streams as stand-alone service	Service is described in OTA SLT that points to service's SLS that points to URLs of broadband delivered service.
Other:	
HDR-10, DolbyVision, HDR-10+, SL-HDR-1; WCG, all with WCG and color space	BT.2020; BT.709 for SDR

GETTING STARTED

HFR (120fps) with Temporal Sub-layering	Temporal Sub-layering not supported in SHVC. Temporal sub-layering is only used with progressive video. This requires an HEVC Version 5.2 decoder or special pre-processing.
-----------------------------------------	------------------------------------------------------------------------------------------------------------------------------------------------------------------------------

AUDIO REQUIREMENTS

Feature	Description
AC-4 Encoder	Dolby decoder capability of MS12 2.3 or higher for multiple presentations
Mono, Stereo, 5.1, 5.1+ 4, 7.1+4	Contains latest capabilities including 7.2+4 and Dialog Enhancement.
Mono, 5.1, 7.2+4	Metadata to drive packager is currently problematic
Multiple languages (i.e. "SAP") and alternative track (i.e. commentary)	See below
Multiple Complete Main M&E + English & Spanish M&E + English & VDS	
Multiple M&E + Dialog presentations Complete M&E + English + Spanish + VDS Complete M&E + English + English Home/Away Commentary + Spanish Complete M&E + 3-5 arbitrary dialog tracks, VDS or objects Object/Spatial Object Groups + Low Frequency Effects, M&E + Dialog	Reference ATSC A/342 – Part 2 Table A.1.1
Hybrid delivery	Max number of individual elements: 13
Dialog Enhancement	Settings in UI to enable, disable & adjust level of dialog enhancement
VP-1 Audio Watermark	Support for A/333, A/337, A/344 and A/336 in retransmission scenario (HDMI output)
MPEG-H	Excluded in North America

GETTING STARTED

CLOSED CAPTIONING REQUIREMENTS

Feature	Description
IMSC1	See ATSC T/300 Text Profile only in 2021-2022. CTA CEB32 does not recommend Image Profile
Conversion and Carriage of Legacy Caption Data	Translation of CTA 608 and 708 per SMPTE RP2052-1 or 11 (with additional provisions re: A/343) It is recommended that CTA 698/708 payload be tunneled per A/343. Although not required closed captioning payloads may be carried in HEVC SEI messages per ATSC - A/341

PACKAGER REQUIREMENTS

Feature	Description
DASH	Media Segment Length Control
Multiperiod MPDs	DRM may drive different lengths
Metadata	Manual selection or metadata driven (MPD) manifest content control

CLOSED CAPTIONING REQUIREMENTS

Feature	Description
IMSC1 Captions	Text & Image Profiles. Two modes apply. CTA 708 "Tunneled Mode" per below or by direct conversion to native IMSC1.
Conversion and Carriage of Legacy Caption Data	Translation of CTA 708 per SMPTE RP2052-11 (with additional provisions re: A/343)

ADVANCED EMERGENCY ALERTS

Feature	Description
Advanced Emergency Alerts	Per ATSC - A/331 & CTA - CEB32.6

GETTING STARTED

NON-REAL TIME (NRT) FILE DELIVERY

Feature	Description
Service Announcement (program guide)	Per A/332 and related OMA specification, 14 days typical. The number services within a single channel may vary. At minimum the ESG should include: start, duration, title, description, content advisory, closed caption and audio availability data
DRM Licenses	Updating of DRM licenses via signed NRT, Please contact the ATSC 3.0 Security Authority (A3SA) for more details
Broadcaster App + Resources	Mix of broadcaster app resources- delivery via NRT
Resource Storage	Per ATSC - A/344 and A/351
Enhanced or alternate audio/video	Delivery of media files for app or playback

SECURITY REQUIREMENTS

Feature	Description
Common Encryption (CENC)	Per ATSC A/360 and A3SA policies. CBC and CTR modes. (Note: DASH IF IOPs currently only require CTR mode)
Trusted Execution Environment (TEE)	Secure media pipeline
Content Security	Receiver must be capable of locating pre-installed licenses or requesting licenses via A3SA license proxy
Clearkey	Simplest level of encryption; for broadcasters who do not have a need for DRM level protections. Keys are pre-shared or delivered via Broadcaster App.
Widevine CDM V114.2 or higher Pre-installed Device Group Licenses	Pre-loaded licenses & OTT provisioning (individualization) & request/delivery of licenses. Update of Device Group Licenses via NRT must also be supported' Persistence of broadband licenses required. Contact the ATSC 3.0 Security Authority (A3SA) for more details.
Widevine (cont.) Signaling	In addition to signaling the DRM Data Service in the SLT.Service@serviceCategory , population of the @drmSystemID in the SLT will allow the media player to initialize the correct Content Decryption Module prior to receiving the MPD

GETTING STARTED

Service Protection: Application Code Signing (with broadcaster certs)	Signing per A/360 with A3SA issued certificates (apps signed twice, once by broadcaster and once by author)
Service Protection: Signaling Message Signing (with broadcaster certs)	Signing per A/331& A/360 with A3SA issued certificates. Certificate Data Table (CDT) is signed with a different certificate than the Signed Multi-Table (SMT).
Client Authentication: Device Model Certificates	X 509 Model Certificates. May require conformance/certification. Used by the broadcaster to authenticate client device models. Publica key may be used to encrypt DRM license sent OTA (to replace or update pre-loaded licenses)
<i>Device Provisioning:</i>	
Pre-installed Device Group Licenses	Support of pre-provisioned licenses in receivers
	OTT provisioning (individualization) & request/delivery of licenses only.
PlayReady v4.0	Device Porting Kit v4.0.5102
Signaling (A/331)	In addition to signaling the DRM Data Service in the SLT.Service@serviceCategory, population of @drmSystemID in the SLT will allow the media player to initialize the correct Content Decryption Module prior to receiving an MPD
Application Code Signing (with broadcast certs)	Apps signed twice – once by the author, a second time by the broadcaster
Signaling Message Signing (with broadcast certs)	Certification Data Table is signed with a different certificate than other signaling tables

ADVANCED EMERGENCY ALERT (AEA) REQUIREMENTS

Feature	Description
Advanced Emergency Alerts	CTA-CEB32.6 (still in draft)

GETTING STARTED

GUIDE REQUIREMENTS

Feature	Description
Carouseled Guide Services Support	Per A/332 and related OMA specification, 14 days typical. The number services within a single channel may vary. At minimum the ESG should include: start, duration, title, description, content advisory, closed caption and audio availability data Guide database that allows for local entry and modification

INTERACTIVE RUNTIME

Feature	Description
Runtime environment A/344	Carouseled (OTA), broadband (OTT) and hybrid delivery (combined OTA & OTT)
Supported Service Types	Application to launch TV, radio and data service types
Broadcast Application	An application where all resources are delivered OTA via broadcast Requires support of NRT and App Signing
Broadband Application	An application where all resources are delivered via broadband, Requires support of TLS per A/360
Hybrid Application	An application where all resources are delivered via broadcast and via broadband.
App-based Service	Service supported via broadcast and broadband.
Receiver Media Player (RMP) support	OTA delivery of live linear stream via broadcast Broadband delivered live linear stream. Broadband delivered static VoD stream
Application Media Player (AMP) codecs	Broadcast apps will use W3C media codecs. API used to query the supported codecs in the receiver and choose appropriately. Receivers should support as a minimum, H.264 AVC video and AAC audio

STREAM ASSIGNMENT REQUIREMENTS

Feature	Description
Carouseled (OTA), broadband (OTT) and hybrid delivery (combined OTA & OTT)	Non-Real Time Data

GETTING STARTED

Support of logically 64 PLPs with a minimum of 4 configurable	Minimum of 4 configurable and assignable
Support of Services spread over multiple PLPs	

TRANSMISSION REQUIREMENTS

Feature	Description
Modulation and Coding	Per CTA-CEB32.2 as constrained below
FEC length	16200, 64800
FEC code	BCH, CRC+LDPC
Code Rate	2/15, 3/15, 4/15, 5/15, 6/15, 7/15, 8/15, 9/15, 10/15, 11/15, 12/15, 13/15
Scattered Pilot Patterns	16 patterns available in all. However, all patterns are not available with all Guard Intervals or FFT choices per A/322 in Table 8.3
Constellation	QPSK, NUC, 16QAM, 64QAM, 256QAM, 1024QAM, 4096QAM (unlikely to be used in short term)
Transmission mode	SISO (MISO, MIMO and Channel Bonding require additional equipment)
Interleaving	Convolutional Time Interleaver, Hybrid Time Interleaver
FFT size	8K, 16K, 32K
Versatile PLP mapping	TDM, FDM, TFDM, LDM
LDM	Multiple injection levels
Multiple Simultaneous PLPs (up to 4) for a single or separate service	For example: Audio(s), Video(s), Signaling in different PLPs all belonging to the same service
Support for SFNs	Multiple broadcasts at varying delay

The Number of ATSC-3 Services Signaled Simultaneously and Supported by a Receiver

It is important to clarify the number of services (as defined below) that NEXTGEN TV receivers will be likely to be required to be processed and supported. That number is expected only to increase over time, driven by development of new business opportunities.

BACKGROUND

When determining the minimum number of services required to be carried within NEXTGEN TV broadcast, the meaning of the term "service" must be understood. "service" may have a variety of definitions depending on the context in which it is applied. Confusion can arise because the word "service" often is used outside ATSC-3 standards to denote a collection of components, together comprising a complete program stream. Within relevant ATSC 3 documents, a "service" is defined to mean "a collection of media components presented to the user in aggregate; components can be of multiple media types..." The different types of media currently defined within ATSC 3 documentation are listed in A/331, Section 5, Paragraph 5.3 "Service Types" as:

- 1) Linear Audio/Video Service (w/captions)
- 2) Linear Audio-Only Service
- 3) App-Based Service
- 4) ESG Service
- 5) EA (AEA)Service
- 6) DRM Data Service

The upshot of the difference in the meanings of the word "service" in different contexts is that, when counting "services" by the ATSC definition, there can be many more "services" to be carried as part of an overall broadcast transmission than just the number of complete program streams. Plus, there can be additional "services" used to announce, schedule, and otherwise support delivery of the complete program streams as well as other streams that must be included in the total. Thus, dramatically different counts of "services" can be expected when counting services as they are defined by the ATSC documents versus the counts expected to be obtained when only the number of complete program streams plus a few supporting "services" are counted.

DISCUSSION

The service quantities in this context are the numbers of the services defined in the Service Type list shown above that are likely to be required and signaled within a typical NEXTGEN TV broadcast channel. The ATSC-3 standards do not provide an upper limit on the number of services

GETTING STARTED

that can be either signaled or carried within a single RF broadcast channel. Rather, that value is bound or constrained only by the range of SLT.Service@serviceId, which is 65,535 (i.e., the maximum number of serviceId values that can be expressed in two bytes) per PLP.

As a practical matter, signaling too many services likely would place a burden on receiver resources, while, conversely, the capability to signal only too few services would adversely impact the intended flexibility provided by the standard, making planned business models difficult to execute. So, in examining what number of services being signaled is likely to be required by broadcasters, it is recognized that a full “RF broadcast channel” and possible associated Broadband content likely will be made up of multiple services of Audio/Video (w/captioning), possibly multiple Audio-Only services, App-Based services, multiple ESG services, as well as multiple AES (EA) services and Data services. Multiple “complete program services” are permitted to be transmitted within the RF channel as well as in associated Broadband delivery channels. Services delivered over Broadband are both allowed and currently being utilized by broadcasters. Such services delivered over Broadband also must be signaled within associated NEXTGEN TV broadcasts and therefore must be included in the required services count.

RECOMMENDED REQUIREMENT

In considering the number of services that are likely required to be processed simultaneously by receivers in the foreseeable near future to support the broadcaster business models that reasonably can be anticipated in the execution of any NEXTGEN TV facility. It should be noted that there is little impact on the service requirements given as examples whether the individual “program channels” are in a shared (hosted) environment or under single management. A typical expected complement of such services follows:

- A. 20× Complete Program Services, some of which may comprise 4-each of the Service Types described above, leading to a total of some 50 services:
 - a. Video, audio(s), caption(s)
 - b. ESG Data
 - c. DRM Data
 - d. EA (AEA) Data
- B. 20× Complete Program Services delivered via Broadband (configured similarly to A. above) leading to a total of some 50 services.
- C. 50× Narrowband Audio-Only (e.g., Music) Services, leading to a total of 50 services.
- D. 50× Narrowband Datacasting Services, leading to a total of 50 services.

Considering all these factors plus the practical limitations likely to be found in receivers, broadcasters require a minimum of 200 services to be identified and processed within any

GETTING STARTED

consumer receiver at the beginning of the NEXTGEN TV rollout. That number is expected only to increase over time, driven by development of new business opportunities.

Operations Section

This section describes what is required for the actual operation of the NEXTGEN TV as well as ATSC-1 hosting facilities.

Recommended Initial Setup Parameters and the Service Profile

BACKGROUND

NEXTGEN TV powered by the technology of ATSC-3 is a powerful broadcast television opportunity. In the full standard there is a large range of optionality that provide tools to the broadcaster to deliver customized content to a diverse audience. By contrast, the current legacy television system, based in ATSC-1 has little in the way of optionality and thus cannot easily adapt to new business opportunities that are available to a more capable technology.

NEXTGEN TV is based in a more than 1000-page long, very complex standard. Therefore, the receivers sold in the marketplace to viewers will need to be equally capable to deliver all the potential provided in the standard. However, unlike many other international television standards, NEXTGEN TV was devised based in a transmission model only and the receiver design is left to the marketplace to develop and adopt. In short, other standards that are based on a receiver-based on a standardized profile possibly could reduce future creativity envisioned by the industry. This future flexibility has the advantage of extensibility or future adaptation which may be the greatest strength of NEXTGEN TV.

As the NEXTGEN TV standard was near completion, Pearl TV on behalf of the Phoenix Partnership made sure that the NEXTGEN TV receiver manufacturers received guidance and insight into what would be transmitted in the formative days of the roll-out of NEXTGEN TV to insure the most popular capabilities revealed by test audiences were included in their initial designs. The consumer manufacturers for their part also wanted to focus on an achievable range of capabilities in a practical and viewer-affordable receiver. Said in another fashion, manufacturing an initial receiver based on the full optionality of all the capabilities of the 1000-page standard was just not practical and likely would have delayed the commercialized roll out of the standard. The Phoenix Partnership provided this guidance after 18 months of experimentation and testing of a profile containing a practical list of features that showcased the most demanded capabilities of NEXTGEN TV. This initial profile was socialized through the Partnership's constituents as well as the rest of industry and found to be as an acceptable place to start.

The Phoenix Profile calls for conversion of all simulcast transmissions (required by the FCC until 2023) to 1080 Progressive scan, at 60 frames per second regardless of originating format. The recommendation was made because virtually all current receivers convert all incoming content regardless of source to at least 1080 (or greater) progressive 60 frames per second (or greater). Doing this upscaling within the more capable broadcast quality encoders is preferable to a less sophisticated receiver conversion. Also, progressive scan is required for use of High Dynamic

OPERATIONS SECTION

Range content by the NEXTGEN TV standard. If all content is converted to progressive scan, and HDR native content eventually becomes available for transmission, switching back and forth between HDR content and native Standard Dynamic Range content will be more seamless. It would not be dependent on receiver behavior that may not gracefully hide program boundary transitions between scan types.

Next, the recommended initial profile describes Physical Layer modulation and coding parameters that balance the availability of bandwidth for hosting multiple services, while providing roughly equivalent market coverage to the broadcaster's simulcast legacy ATSC-1 HD service.

Also, within any NEXTGEN TV transmission is metadata, referred to as signaling that the receiver requires to discover and lock on the transmission to ultimately decode the viewer-selected service. Like the rest of the new standard there is a huge range of optionality within this signaling. Staying within the range of currently receiver-supported signaling is critical as well to prevent unforeseen receiver behavior.

So, in short, at a high level here is what is provided as part of the Phoenix Service profile:

- 1080 Progressive scan, 60 frame content
- Highly efficient video encoding, statistically multiplexed, allowing transmission of multiple high-quality services with capabilities including 4K, HDR and Wide Color Gamut
- AC-4, 5.1 Audio with multiple secondary audio channels, Voice Plus, adjustable dynamic range and consistent level control
- Broadcaster-controlled, Content and Service Protection
- Custom Application with Emergency Information and custom Viewer Experience capability
- Transmission parameters that can support at least 5 High Quality Services while maintaining current legacy broadcast market coverage.
- Hybrid operation to allow for application and media content to be delivered via over-the-air as well as broadband Internet.
- Return-channel optionality with connected receivers
- Although multiple Physical layer Pipes are possible, it is really required to only have one set of Low Level Signaling since current receivers do not yet support multiple LLS instances. This signaling should always reside in the most robust (greatest coverage) PLP.

Supporting these initial capabilities for now was part of give and take with the receiver manufacturers that provided the range of features described above while mitigating what the manufacturers saw as their risk in delivering early receivers in a marketplace with few actual markets on-the-air.

However, if a broadcaster uses a feature that is outside the initial profile and receiver manufacturers do not include proper support in their preference, there is likely to be

OPERATIONS SECTION

unpredictable viewer experience. It could range from the feature not working to not discovering or decoding the service at all.

The receiver manufacturers for their part are open to the addition or support of additional features. Some of these features will require software changes that can be updated in the field in the form of a receiver firmware update while others may require a receiver re-design that would be included in future receiver designs.

So, it is recommended the industry for now remain within the bounds of the Phoenix Profile while working on the prioritization, test and creation of conformance test streams containing of the additional features required of the ATSC-3, NEXTGEN TV standard.

THE RECOMMENDED PROFILE

There are an exceptionally large number of possible parameters that can be selected throughout any ATSC-3, NEXTGEN TV Host system configuration. The broadcaster can control parameters for the video and audio quality as well as numbers of Physical Layer Pipes (PLPs). Additionally, the broadcaster can select crucial RF modulation and coding transmission parameters for each of the different PLPs. There are additional options requiring decisions that need to be considered and must be selected individually. It is a daunting task at best. However, nearly every decision is based in a tradeoff of one capability or performance feature over another.

Below is provided an initial “typical” setup that provides slightly less than theoretical coverage of a similarly powered legacy ATSC-1 transmission. It may provide a good compromise selection in the coverage and bandwidth needs. It has been found to work well with all current receiver designs.

This is not to say that the broadcaster cannot make alternative selections. However, it is generally easier and safer for the purposes of getting on the air initially to have some guidelines for critical parameters to start. There are iOS and Android applications as well as spreadsheets available from vendors to help in calculating the available ATSC-3 parameters and their impact on C/N, market coverage, and available bandwidth. It can be assumed for planning purposes that signaling has about a 2% negative impact on yielded bandwidth.

In the setup described below, it is assumed there are about 5 individual services of HD HEVC encoded, statistically multiplexed, variable bit rate video, either in 1080i or 720P. It is strongly recommended that you opt to convert to 1080P, 60hz. Most current receivers only currently display in progressive scan anyway, so a broadcaster’s equipment will do a better job if scaling this service than a receiver’s scaler, improving the resultant displayed image. It is also assumed that the broadcaster would opt for statistical multiplexing to optimize bandwidth use. Also, it is

OPERATIONS SECTION

assumed you will also select an AC/4 data rate for the 5.1 Complete Main audio at least 144 kb/sec. As with all parameters mentioned so far, you have options, this is just a place to start.

INITIAL SETUP PARAMETERS

- Video 1080P (w/HDR, if available, progressive scan required for HDR)
- Video target bandwidth – 4+ Mb/sec Variable Bit Rate
- Multiplex – Statistical
- Priority – Equal
- Audio – 5.1 Complete Main with Second Language and Video Description Support
- Audio Bandwidth – 96 kb/sec to 144 kb/sec
- Service Streams - up to 5
- DASH Segment length – 2 seconds or less
- Services should be identified as their home logical primary and sub channel number
- Electronic Service Guide
- BSID is identical to the station’s NTSC TSID *
- Content Security per A3SA
- Service Protection per A/331 – A/360
- Number of PLPs – One as PLP-0 (if other PLPs are utilized, you should always start with PLP0 which should contain the most robust modulation and coding parameters)
- Physical Layer Frame Length = < 2 seconds
- FFT Size – 32K
- Bandwidth Use – 96%
- Guard Interval –1536
- Scattered Pilot Pattern – 8_2
- Constellation Size – 256 QAM
- LDPC Frame Length – 64800
- Code Rate – 9/15
- Outer Code – BCH
- Approximate Yielded Bandwidth – 23 Mb/sec
- Approximate C/N –17 dB Gaussian

* Note In the US, this is assigned even if no analog station was licensed and is usually the “DTV TSID” minus 1.

As noted, there are literally thousands of combinations of setup parameters that ultimately trade Carrier to Noise (coverage) with available net bandwidth (after FEC and signaling). Since there is not a minimum coverage requirement in the current FCC rules for NEXTGEN TV transmission, the broadcaster is left to experiment as to what combination of parameters will meet their needs. The

OPERATIONS SECTION

selection of Modulation and Coding (ModCod) above approximates the coverage in ATSC-1 at the same transmission power levels.

It should be noted that the addition of a Single Frequency Network has the potential to raise signals levels throughout the coverage area (improving C/N) and thus allow the broadcaster to be more aggressive in selecting Modulation and Coding parameters with a resultant of increase in available bandwidth.

More Advanced Parameters

ADDITIONAL SETUPS FOR SUBSEQUENT YEARS

As there are many possible Modulation and Coding (ModCod) parameters that can be selected by the broadcaster in any Next Gen TV system setup, it is valuable to consider more flexible options once more experience is gained. The broadcaster should consider all options available to improve robustness to their signal (with increased coverage and receivability) versus improvements in bandwidth with a negative impact to receivability. Additionally, with the use of Physical Layer Pipes (PLP), configured differently, each service may have alternative modulation and coding parameters applied thus providing a custom tailored receivability and bandwidth to each service multiplexed within the single physical transmitted signal.

Examples of those alternative and more Advanced Setups are shown below:

OPERATIONS SECTION

ADVANCED SETUPS

Parameter	High Capacity	ATSC 1 - Like	Robust	Middle
Type	S-PLP, SISO	S-PLP, SISO	S-PLP, SISO	M-PLP, SISO, w/ subframes
FFT Size	32K	16K	8K	subframe 0: 8K subframe 1: 16K
Pilot Pattern	24_2	12_4	6_2	subframe 0: 6_4 subframe 1: 12_4
Pilot Boost	4	1	4	4
Guard Interval	G5_1024	G5_1024	G5_1024	G5_1024
Preamble Mode	(Basic: 3, Detail: 3) Pattern Dx = 12	(Basic: 3, Detail: 3) Pattern Dx = 6	(Basic: 1, Detail: 1) Pattern Dx = 3	(Basic: 3, Detail: 3) Pattern Dx = 3
Frame Length	246 msec	201 msec	201 msec	155 msec
Subframe Boundary Symbols	First and Last	First and Last	First and Last	First and Last
Cell Interleaver	Off	Off	Off	Off
Time Interleaver	Convolutional (1024 cells)	Convolutional (1024 cells)	Convolutional (1024 cells)	Hybrid (Sub0: 16 FEC blocks, 1 TI block Sub1: 63 FEC blocks, 2 TI blocks)
Frequency Interleaver	On	On	On	subframe 0: On Subframe 1: On
PLP Size	1336260 cells	1052849 cells	928887 cells	Subframe 0: 259200 cells Subframe 1: 518400 cells
Number of Payload Symbols	49	78	148	Subframe 0: 41 Subframe 1: 39
Modulation	256 QAM	256 QAM	QPSK	subframe 0: 16 QAM subframe 1: 256 QAM
Code Rate	10/15	9/15	5/15	subframe 0: 7/15 subframe 1: 10/15
Code Length	64K	64K	16K	64K
Bit Rate [Mbps]	28.707	25.072	3.037	subframe 0: 3.102 subframe 1: 17.764
Required C/N [dB]	17.1 (est. AWGN)	15.5 (est. AWGN)	-1.7 (est. AWGN)	sub 0: 5.2 (est. AWGN) sub 1: 17.1 (est. AWGN)

Note: estimated AWGN values are from S32-4-031r7-ATSC_3_0_Use_Case_Calculations.xlsx.

OPERATIONS SECTION

The Table above provides just some of the optional parameters as well as the resultant bandwidth capacities (net of Forward Error Correction) with their estimated Carrier to Noise (C/N) which indicates the signal's robustness and coverage. There are virtually thousands of combinations of configurations supported in the standard, many of which provide similar results. These illustrated configurations are just meant to provide an initial guide or place to start.

The four setups described are:

- **High (bandwidth) Capacity-** This configuration provides a generous amount of channel bandwidth of 24.9 Mb/sec but at a cost of loss of C/N of just under 2 dB or so from the FCC ATSC-1 model receiver reference of 15.5 dB C/N. This configuration may provide a good compromise and is similar to the Initial Year Rollout Setup recommendation but provides a small amount of additional bandwidth.
- **ATSC-Like** – This configuration provides a generous net channel bandwidth of 21.4 Mb/sec while maintaining the conventional ATSC-1 15.5 dB C/N with resultant similar market coverage.
- **Robust** – This configuration uses ATSC-3's base QPSK modulation scheme with a vast improvement in coverage and signal receivability at .2 dB C/N. However, it comes at a heavy cost in available channel bandwidth at only 3 Mb/sec. This setting provides the greatest receivability with penetrating indoor reception as well as to mobile devices.
- **Middle** – This configuration uses 2 PLPs, one at 8K FFT and the other at 16K FFT. These PLPs are also configured at 16 QAM and 256 QAM, respectively. The two PLPs have vastly different net bandwidths and receivability's with PLP-0 at 3.1 Mb/sec @5.2 dB C/N and PLP-1 at 17.7 Mb/sec @ 17.9 C/N. This provides a middle ground setting in which a broadcaster might carry several HD signals with good coverage while simultaneously in the same broadcast that allows for a service aimed a mobile audience in automobiles as well as handheld devices. It also should be noted that for efficiency and receivability, the most robust signal should occupy the lowest logically numbered PLP.

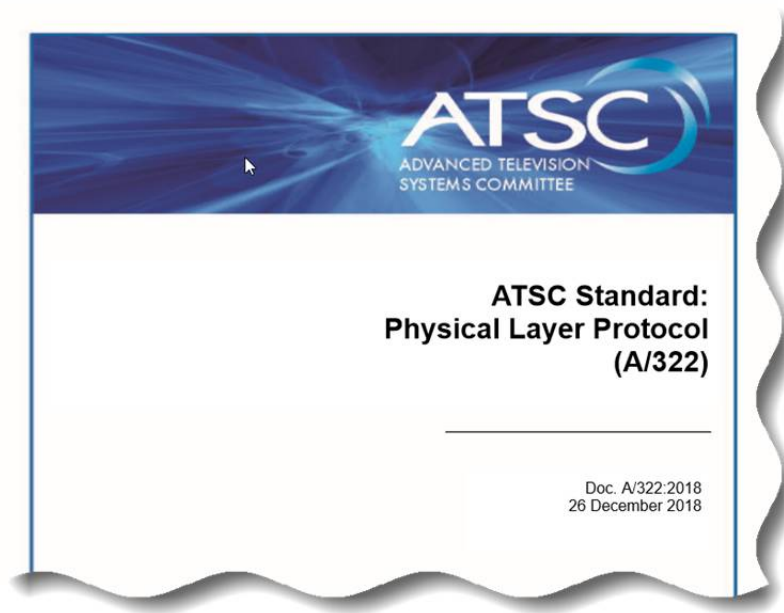
Although the use of sixty-four PLPs are allowed in ATSC-3, the reader is reminded that receivers need only support four at a time.

Also, as mentioned in the Initial Setup Parameters section, the addition of a Single Frequency Network has the potential to raise signals levels throughout the coverage area (improving C/N) allowing the broadcaster to be more aggressive in selecting modulation and coding parameters with a resultant of increase in available bandwidth.

Training

There are several opportunities for obtaining knowledge and training associated with the ATSC 3 standard.

The ATSC-3 standard is not a single document, but a suite (well over 20 documents) of related Standards, Technical Reports and Recommended Practices. The ATSC-3 documents themselves are available as a free download from the ATSC website at <https://www.atsc.org/standards/atsc-3-0-standards/>. Each document begins with an “A”, followed by a “3” after a slash for ATSC-3 and then the number of the Specialist Group that created the document, followed by the number of the document itself. Since this is an extensible standard, this numbering is followed by a year. This tells the reader how current the standard is. Below is the cover page of A/322:2018, “Physical Layer Protocol”



The Society of Broadcast Engineers (with ATSC’s help) is providing low-cost webinars on the standards elements that can be found at https://www.sbe.org/sections/edu_seminars.php. They also will provide ATSC 3.0 Specialist Certification program as well for SBE members. To hold SBE Specialist Certification, an individual must first hold one of the SBE core-four certifications: CBT, CBRE/CBTE, CSRE/CSTE or CPBE. Once the new Specialist Certification is released, applicants will take a 50-question, multiple-choice exam and answer an essay question.

OPERATIONS SECTION

If you are an IEEE member, the IEEE Broadcast Technology Society has a symposium in the fall every year as with seminars. Information is available at <https://bts.ieee.org/>

Every year, generally in April at the National Association of Broadcasters Convention there are a series of technical seminars as part of their Broadcast Engineering and Information Technology Conference series called the ATSC 3 Academy whose subject matter covers the theoretical and practical deployments of ATSC-3 NextGenTV.

The Broadcast Engineering Consulting firm of Meintel, Sgrignoli, & Wallace sponsored by the NAB is also providing customized local seminars on the ATSC-3 Physical Layer. More information can be found at <https://mswdtv.com/> or <https://education.nab.org/>

Last, but not least, Pearl TV and the Phoenix Partners always make available the most recent version this manual (it is always being updated, this is Version 11) as well as a series of 8 Summer 2020 Webinar Series. webinars on many aspects of NEXTGEN TV that have been recorded and can be watched online. You may request the required viewing passwords at no cost by messaging Pearl TV at info@pearlTV.com for the required password information. All these training resources can all be found at <https://pearlTV.com/station-resources/>.

OPERATIONS SECTION

Procedures

MONITORING OF ALL SERVICES

The transmission of all shared services should be monitored by the host and the guest broadcaster for each service.

LOGGING OF SERVICES

Official FCC logging shall be done by the originator of the service and not the host broadcaster transmitting the service.

LEGAL ID AND EAS TESTSING

Legal IDs and EAS testing, and alerts are the responsibility of the individual broadcaster providing each service.

RESUMPTION OR LOSS OF SERVICE

Assuming proper communications and trouble determination, both the host and guest service providers should work together to resume a lost service. There is special mention of the Calling Tree Section of this manual which will provide the best course of resuming a service regardless of the reason for the loss of a single or all services.

Calling Trees and Communications

Proper communications between the market partner hosting entities are critical for the success of hosting required in clear spectrum and transmission of the ATSC-3 NEXTGEN TV services.

All the host and guest service broadcasters should feel the responsibility to help restore any lost service regardless of cause. The NEXTGEN TV services will only be a success if the viewers perceive them to be reliable.

To that end a address notebook, pamphlet or website should be created, maintained and distributed to all the station management teams that will either be hosting or are guest on the NEXTGEN TV Host station.

This book should contain:

- The Master Control number(s) of all the stations of the market partnership
- The Chief Engineer number(s) with an alternate for all stations
- The General Manager's number(s) for all stations
- The Network Operations Center (NOC) and after-hours number(s) for all networks, prime and multicast for all services
- The alternate carriage satellite coordinates (satellite, azimuth, transponder, etc.) for the multicast network services to use in case of fiber failure.
- The number(s) for all services providing connectivity between the stations for the host/guest services (as in fiber)
- Customer service numbers (preferably after-hours numbers as well) for all prime vendors of equipment critical for any on-the-air service

Outside Support

Likely, with a NextGenTV Host station, content delivery, transport and transmission systems may be controlled and operated by many separate business units.

Coordination between these partner companies is critical since the actions of one partner may have consequences with another partner's transmission.

Coordination is key to ensure critical information about passwords, setup information, transport, patching, and schematic diagrams are readily available to those that require this information.

Thorough documentation shared with all partners is a key is quickly determining the source of issues.

A Calling Tree as called out in this manual is vital to ensure that everyone that could be possibly impacted by an action is properly notified as well in the of a problem.

IP Addressing

Apart from control of the individual pieces of equipment or inputs from outside media sources, the IP streams within a NEXTGEN TV transport and transmission system are Unicast UDP or possibly Multicast UDP as noted below. Also, extensive use of VLANs is required because of the nature of UDP at higher data-rates that can cause contention and permanent loss of critical packets.

It should also be noted that the LLS signaling as well as some signals associated with Scheduler/Gateway have Multicast addressing. Multicast might require special handling in many switches, routers, VLANs and firewalls.

Addressing ranges may vary depending on broadcasting equipment manufacturer, but some addressing (as in the Low Level Signaling) is set by the ATSC standard.

The equipment requiring input from local sources is likely to use a private addressing scheme such as VLAN 192.168.0.0 through 192.168.255.255 range or 10.0.0.0 to 10.255.255.255 range for example.

A Management Network for monitoring and external equipment control network (as in web interface control) should be on a VLAN within a private address range of 10.75.113.xxx as just an example. This network can also carry the required PTP or NTP time as required by generally all the equipment used in NEXTGEN TV transmission equipment. This VLAN may need to be extended up through the STL to the exciter as well as receiving the common source of clock. However, care must be taken if using this schema if there is substantial latency. It should be also noted that some implementations of NTP default to Multicast operation. PTP is also generally Unicast UDP.

The address and port used to retrieve the PTP or NTP time is usually dependent manufacturer preference. The time source often derived from GPS sources.

A separate VLAN should be used for the output of the ROUTE Packetized Content/Signaling, including NRT whose output feed to the Scheduler/Gateway using addresses in the 10.75.13.xxx range. This will keep this high speed UDP stream from contending with other device data sources such as the STLTP output.

The Studio to Transmitter Link Transport Protocol output of the Scheduler/Broadcast Gateway should use a separate VLAN 239.0.0.XX which is a Multicast address range. This VLAN also should carry the Low Level Signaling (LLS), using 224.0.23.60/ Port 4937 UDP. This is defined in the ATSC standard.

OPERATIONS SECTION

If equipment needs a Broadband/Internet or external control/monitoring connection, they can be connected on VLAN 10.20.192.xxx or other unused private IP address. It is strongly suggested that a VPN with dual NIC cards (via local desktop program) is used to provide isolation and access security on this connection.

PTP or NTP Clock

Nearly all equipment throughout the ATSC-3 encoding, packaging, ROUTE encapsulation, signaling, scheduling and exciter will require a source of RFC 5905 Network Time Protocol (NTP) or IEEE 1588 Precise Time Protocol (PTP). It is best practice to have the source of the time come from a single source within the broadcast facility. Likely, it will be derived and locked to a GPS receiver that can convert to PTP or NTP timing. It is advised that you use only a single receiver/server source and distribute the time in either format required. The latencies found in mixed sources have found to be a problem in practice.

Watermarking

ATSC has established both audio and video watermarking standards that enable television receivers to activate selective NEXTGEN TV features as in Interactive Content received via legacy, non-compatible ATSC 3 interfaces, such as found in redistribution scenarios of cable or satellite.

The watermarks carry signaling information that broadband connected receivers can be used to recover program synchronized ATSC 3.0 applications, further signaling or content, typically from broadband servers operated by the broadcaster or a managed service provider. The ATSC audio and video watermarks can be used independently or together.

ATSC watermark embedders must be configured to embed a unique, registered Server Code value. Server Code registration must be performed by a registrar designated by ATSC found at <https://www.atsc.org/336-server-code-registrar-information/>.

Content and Service Protection

Everyone in television broadcasting should be concerned that what is being transmitted and viewed is really what the broadcaster intended and that no bad actors have interfered, hijacked, or hacked this content on its way to the viewer. This is all too real in the modern media distribution world.

Also, we live in a time in which broadcasters and content producers must protect content from improper use and distribution. Sadly, it has become relatively easy to unlawfully reuse, reproduce or distribute content without regard to the original rights holder using relatively inexpensive technology.

Because of these possibilities, the architects of NEXTGEN TV ensured that robust Content Security and Protection was included in its original design.

In NEXTGEN TV there are two main ways in which the streams are protected. First, all the imbedded signaling that the broadcaster sends to the viewer's receiver that identifies and helps decode the services are signed (certified as authentic). This "signature" is a very secure way for the broadcaster to identify the service and attendant signaling tables to be true and authentic. This is done through a process called certification which will be described below.

Next, to protect the security of the media content, it needs to be encrypted. This encryption uses an extremely secure cryptography with a key only known by the broadcaster's encryption equipment and the viewer's receiver's decryption client. The distribution and security attendant to this key and how they are used to secure the content is also described in this section.

PUBLIC KEY INFRASTRUCTURE OR PKI

The very basic security technology used in NEXTGEN TV signatures, and their certification makes use of a Public Key Infrastructure or PKI. A PKI is a series of policies and technologies needed to manage, distribute or revoke digital Certificates. This infrastructure is generally established and managed by a Security Authority, who sets all this system's policies. These policies include defining the requirements for content security, (user) compliance and robustness rules (usually by established industry standards), maintenance of agreements with PKI participants, as well as acting as the policy's enforcement authority. The Security Authority also establishes and enforces criteria for device certification/validation and conformance to content protection requirements. Additionally, it approves test procedures and independent testing companies while also authorizing access to pre-loaded device Content Security licenses.

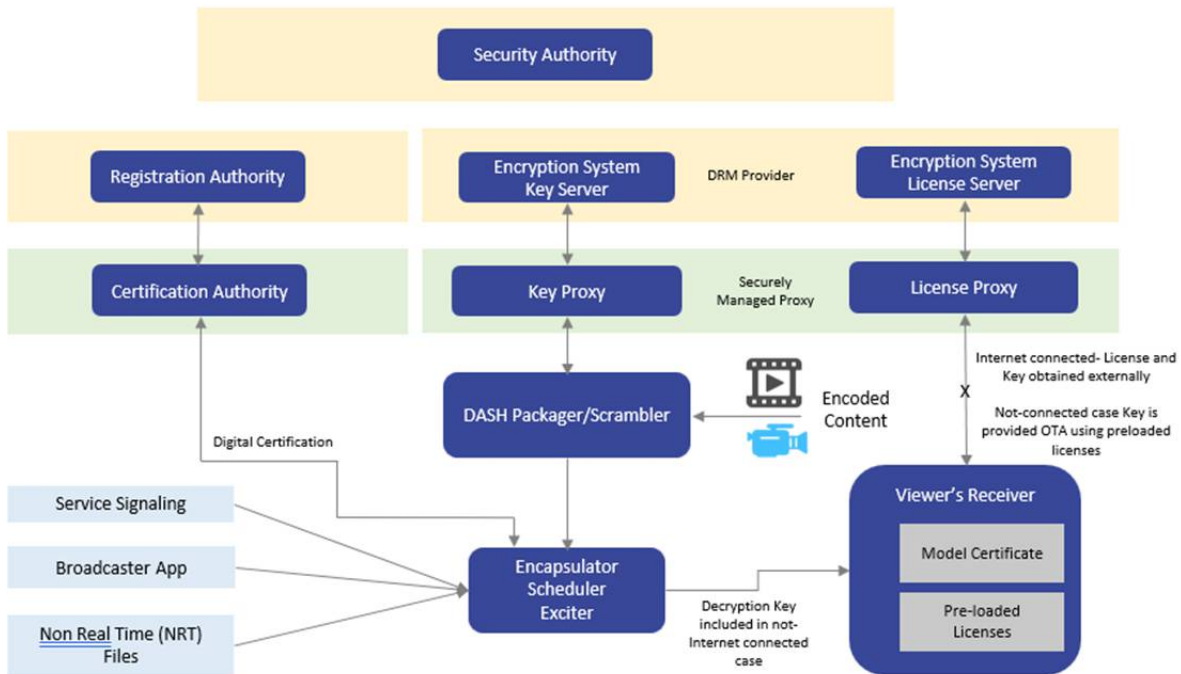
OPERATIONS SECTION

Specifically, the PKI used in NEXTGEN TV uses a technique called Public Key cryptography. This underlying technology makes use of a mathematically related Public Key and Private Key set. Certification encryption using the Private Key can only be decrypted using the Public Key. Conversely, data encrypted by the Public Key can only be decrypted by the Private Key. The Private Key is just that. It is used at the time of encryption and must be held secret and not shared. It does not need to be shared because an openly shared Public Key can be used to decrypt the content.

Conversely, because the Public Key can only be used to create encrypted files that can be decoded by the secret, Private Key, it is of little use to a bad actor. Also, the complexity of the mathematics used to define the relationship of the Keys is so complex, it is highly impractical to use one Key to determine or reverse engineer the value of the other.

OVERALL CONTENT AND SERVICE PROTECTION SYSTEM

Below is a simplified graphic that summarizes a high-level view of the NEXTGEN TV Content Security and Service Protection system which contain elements of the PKI, broadcaster facility and viewer's receiver.



Broadcast Content and Service Protection System Block Diagram

The Security Authority shown in the block above sets all the Content Protection and Security Policies as mentioned earlier. This authority is known as the A3SA for ATSC – Security Authority

OPERATIONS SECTION

which is an independent organization supported by the content owners and providers as well as receiver manufacturers.

CONTENT SECURITY OR DIGITAL RIGHTS MANAGEMENT

The Content Security or Digital Rights Management (DRM) Provider shown above is responsible for two functions. One is to provide Licenses and the other is to protect the Keys used by the broadcaster's encryption equipment.

These Licenses can be delivered to the viewer's receiver via the Internet, if the receiver has such a connection. However, multiple Licenses are also installed in the receiver at the factory for when the receiver is not connected to the Internet. Regardless of the source of the Licenses, they contain what is required by the viewer's receiver to decrypt the encrypted content. These Licenses also specify output controls, as well as whether the Licenses are persistent or have a specified lifetime.

The Key Server's main function is to associate Licenses with Encryption Keys and to create DRM specific information for the DASH manifests. The Key Server can optionally create the Content Encryption Key (CEK) if the broadcaster's Packager requests it.

Each License has a set of attributes that dictate how the content can be handled. Example attributes include.

- Duration of the license and playback
- Persistence for offline viewing
- Track types (video, audio SD, HD, UHD)
- Renewal parameters
- Output protection (HDCP etc..... only applies to devices with output capability)
- Security Level (where and how cryptography and /or video processing is performed)

Within the broadcaster's Packager, a Common Encryption (CENC) server is used to encrypt the content. Content Encryption Keys (CEK) obtained from the Key Proxy show in the graphic above. They are used by the CENC scrambler to encrypt the content. Each CEK has a CEK_ID. These Keys can change periodically (seconds to hours in rotation) set by the broadcaster and controlled by the policies of the content providers, the Security Authority and DRM Provider.

The DASH-IF profile calls for the delivery of Protection System Specific Header or pssh data – containing content protection information from the DRM Authority to be delivered to the receiver within the service's manifest MPD rather than within the ISO BMFF container. When using preloaded Licenses or Key rotation, CEKs are delivered to the receiver as well as the pssh data having been encrypted multiple times.

OPERATIONS SECTION

The pssh data contains License acquisition data or Keys needed by a specific content protection system (DRM) to acquire a License and decrypt the media content.

Here is the DRM Encryption process:

1. Packager/CENC Scrambler requests from the Key Server (by way of the proxy) a CEK
2. Key Server sends a CEK plus pssh data.
3. Packager/CENC Scrambler encrypts the content with the CEK, puts pssh data in the DASH MPD. When pre-loaded Licenses are used, or Key rotation is enabled an encrypted version of the CEK resides in the pssh data as well.

It may be of interest how the decryption process works as well. A simplified graphic is provided below for reference. It is high level in nature and is used only to provide a general understanding of this very complex and thus very secure process.

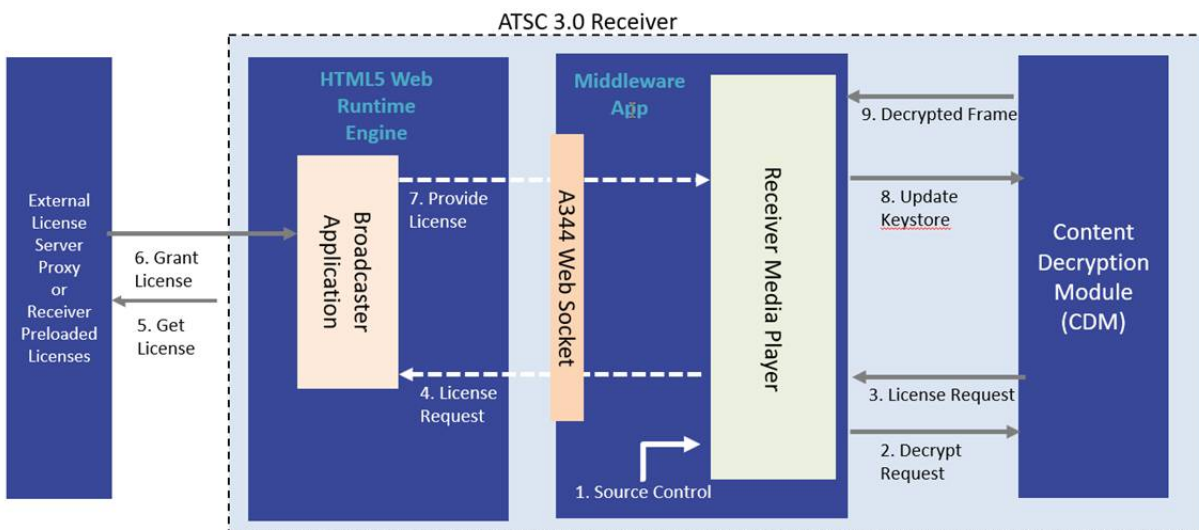
It has been pointed out that the receiver must be able to decrypt media content whether it is connected to the Internet and can receive the Licenses and Keys in that fashion or whether it never or only occasionally will be connected to the Internet.

If it is not connected, the receiver will make use of preloaded (at the factory) Licenses containing keys that can be used to decode the content. Should these ever be compromised, the receiver can have its preloaded Licenses replaced via a firmware upgrade, through the Internet or by Over-the-Air (OTA) delivery as an NRT file.

The version of decryption control used below makes use of the WebSocket features made available in the ATSC A/344 specification via a broadcaster application. The receiver uses a logical device or software engine known as a Content Decryption Module or CDM. A CDM is a DRM system specific, software engine that performs many tasks associated with decryption for the DRM system in use.

The receiver also has a similar, but alternative workflow to decrypt content with or without the use of a broadcaster application.

OPERATIONS SECTION



Receiver Decryption Model

This is how this decryption takes place:

1. The viewer changes to a new channel.
2. The content's DASH Manifest MPD includes a pssh data that indicates that the content is protected and thus signals the CDM to prepare to decrypt.
3. The CDM sends a License and Key request to the media player with information from pssh data.
4. The media player passes the request on through the broadcaster application.
5. The CDM checks to see if it already has a License for the content. If not, a License request is passed on to the receiver's media player which relays it via a WebSocket connection to the broadcaster app. The broadcaster app in turn makes a request to the License server.
6. The granted License is then delivered back to the broadcaster application
7. The broadcaster application, in turn, sends the License on to the media player. The appropriate Key_ID as well as decryption information is extracted from the License and sent to the CDM
8. Using the appropriate Key, the decrypted content is sent to the Media Player.

This is an overly simple explanation of the content protection scheme. The actual processes are far more complex with many layers of encryption of the Key values as well as the process itself. However, all the most important details required to understand the overall process are included.

OPERATIONS SECTION

SERVICE PROTECTION

The Registration Authority as shown, uses the policies set by the Security Authority and manages the methodologies to be used in the procedure used by the Certificate Authority.

As shown in the graphic, the broadcaster's Signaling/ROUTE/Encapsulator block that digitally negotiates with the Certificate Authority that responds to a valid query with a digital Certificate containing an encrypted Certification key. This is accomplished using the Online Certificate Status Protocol (OCSP) which is an Internet protocol used for obtaining the revocation status of an digital Certificate via a device call the OCSP responder operated by the Certificate Authority. The issued Certificate is used in the signing process of the broadcast's service signaling, application and NRT delivery. This protocol is the successor to the more familiar Secure Socket Layer protocol (SSL) used widely on the internet to secure web content. This process is used to test the validity of the service signaling, applications and NRT files delivered to the viewer's receiver. This procedure ensures all these files were delivered securely and were not tampered with (as in a "man in the middle attack") during transmission.

Broadcaster Application and RUN3TV Framework

BROADCASTER APPLICATION

One of the more important improvements in NEXTGEN TV is the refinement in the viewer experience. Although much of this improvement comes from better quality video and audio, viewers have been conditioned by their experience with Internet-delivered content to expect a more engaging consumer experience.

One of the ways of making the viewing experience richer is with the addition of a broadcaster application that can be provided to support of the content experience. This web-type application can be used for navigating, enriching the program content, deep linking into related information such as cast biographies and possibly ancillary data such as weather, traffic or school closing information to name just a small range of what might be possible.

All this information can be shared with the viewer while watching entertainment, sports or news programming. This content can all be provided using a Broadcaster Application which is sent as a Non-Real Time data file within the standard broadcast service or alternatively via broadband.

A Broadcaster Application is a set of documents comprised of web-type W3C compliant, HTML5, JavaScript, CSS, XML, image and multimedia files that are delivered separately or together within one or more broadcast, Internet-delivered packages or a combination of the two.

The Broadcaster Application can be launched after the viewer's receiver application receives signaling information from the launch URL found in the HELD (HTML Entry pages Location Description) which is a signaling table contained within the broadcast service's SLS signaling. This URL then forwards that launch package URL to the receiver's User Agent (this "browser" capability is referred to as a User Agent in NEXTGEN TV), which, in turn, loads the Broadcaster Application Entry Page from the URL. That URL may point to an Internet server or to the Application Content Cache depending on how it is formatted in the service's application signaling (HELD).

Once the main Broadcaster Application Entry Page has been loaded, it may begin requesting content from various local or external URLs. This may be done through JavaScript, or standard HTML5 requests in a W3C-compliant fashion.

The non-real-time file transmissions that contain the Broadcaster Application or Framework based application as well as alternatively ancillary digital data (such as media files) are provided in gzip compressed MIME Package within a ROUTE session found in a broadcast service with appropriate addressing to be recognized and loaded by the receiver's cache and User Agent. These files will likely be transmitted repeatedly in a "carousel" manner at a repetition rate selected by

OPERATIONS SECTION

the Broadcaster that is consistent with rapid application loading while minimizing impact on data transmission overhead.

It is assumed that all content received over broadcast via ROUTE file delivery is available through the receiver's Application Context Cache and the Broadcaster Application can access the resources using HTTP requests to the Receiver Web Server.

The application and Framework (if used) may alternatively be delivered via broadband to be delivered to receivers that have a broadband (Internet) connection.

The User Agent may also perform internal caching of content. The internal W3C-compatible storage mechanisms implemented within the User Agent should not be confused with the Application Context Cache. The Broadcaster Application can use standard W3C interfaces to discover and use the various User Agent storage facilities.

As mentioned, the over-the-air broadcast environment the files associated with a Broadcaster Application are delivered in ROUTE packages that are unpacked into a cache area. In the broadband-delivered environment, launching an application behaves in the same way as in a normal web environment with no specialized behavior or intervention by the receiver. The Broadcaster Application then executes within the W3C-compliant User Agent while accessing some of the graphical elements of the receiver to render the user interface or by accessing some of the resources or other information provided by the receiver.

If a Broadcaster Application requires access to resources such as information known to the receiver (as in receiver status) or requires the receiver to perform a specific action that is not defined by standard W3C User Agent APIs that are widely implemented by browsers, then the Broadcaster Application sends a request to the receiver's WebSocket Server. The WebSocket Server will then provide access to the receiver specific APIs to access the resources that are available within the receiver (as in receiver controls or status), or to receive notifications via broadcast signaling, or to request the performance of actions that are not otherwise available via other standard W3C or custom APIs.

Using these internal APIs, the Broadcaster Application can request receivers to perform certain functions such as:

- Use of the Receiver's Media Player (RMP)
- Stream media content via the broadcast or broadband delivery mechanism
- Playback media content that has been downloaded via broadcast or broadband delivery mechanisms.

OPERATIONS SECTION

- Query information that is specific to the reception of TV services, for example, the status of closed caption display and language references, or receive notifications of changes in this information.
- Operate receiver controls and monitor status (i.e., channel number, volume etc.)

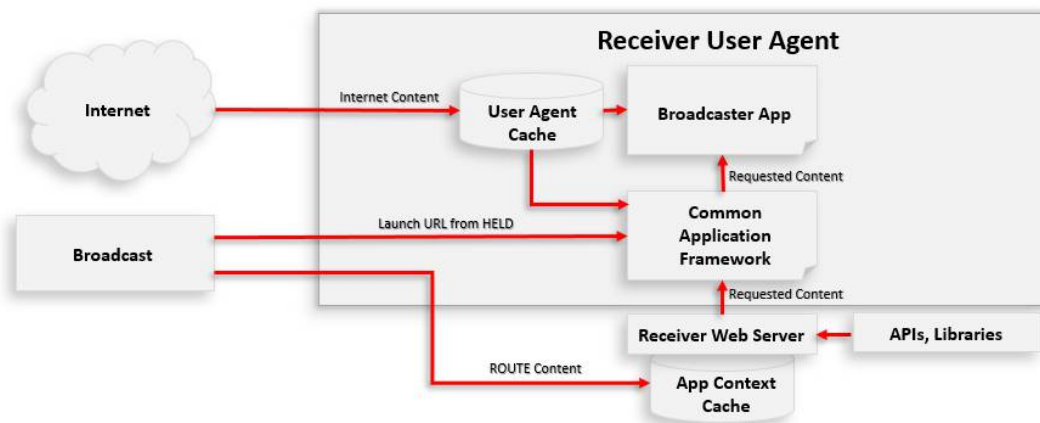
It is important to understand that there is a difference between a Broadcaster Application in a NEXTGEN TV broadcast environment and HTML5 application deployed in a web environment. In the NEXTGEN TV broadcast environment, a Broadcaster Application can access resources from broadcast or broadband.

Also, there is a difference between these two models in that within the normal web environment, the viewer is in direct control of launching an HTML5 application by specifying the URL of a desired website. In the NEXTGEN TV environment, although the user still initiates the action by selecting a service, the actual application URL is not directly selected by the viewer and instead is provided via broadcast signaling. In that case, it is the responsibility of the receiver using its User Agent to launch or terminate the Broadcaster Application referenced by a URL provided in broadcast signaling. The Broadcaster Application relies on the set of features that are provided via the User Agent to the viewer. However, standard web technologies are generally used to serve the pages.

The display screen User Agent in a NEXTGEN TV receiver is in its simplest description a W3C-compliant web browser that can display components of HTML5 code. It will display the video and audio being transmitted by the broadcaster inside that User Agent in a logical device known as the Receiver Media Player or RMP. It also can alternatively use an alternate Application Media Player or AMP provided by the Broadcaster Application that can also be downloaded and run by the User Agent. The broadcaster can push this application and content to the receiver as a Non-Real Time (NRT) file and the viewer can use links within this code to pull content provided from within that downloaded code or alternatively from the Internet in the case of broadband, Internet-connected receivers.

Below is a simplified graphical representation of Receiver's User Agent and its functionality. This example is shown with a Broadcaster Application requesting content and using the libraries, code and APIs from the Common Application Framework. The Broadcaster Application can be the standardized version developed by the Phoenix Partners and administered by the ATSC 3 Framework Alliance (A3FA), a customized version with functionality added by the broadcaster, or a broadcaster application completely developed by the broadcaster that does not use the Common Framework at all. In the last case the Common Framework block would not appear in this graphic.

OPERATIONS SECTION



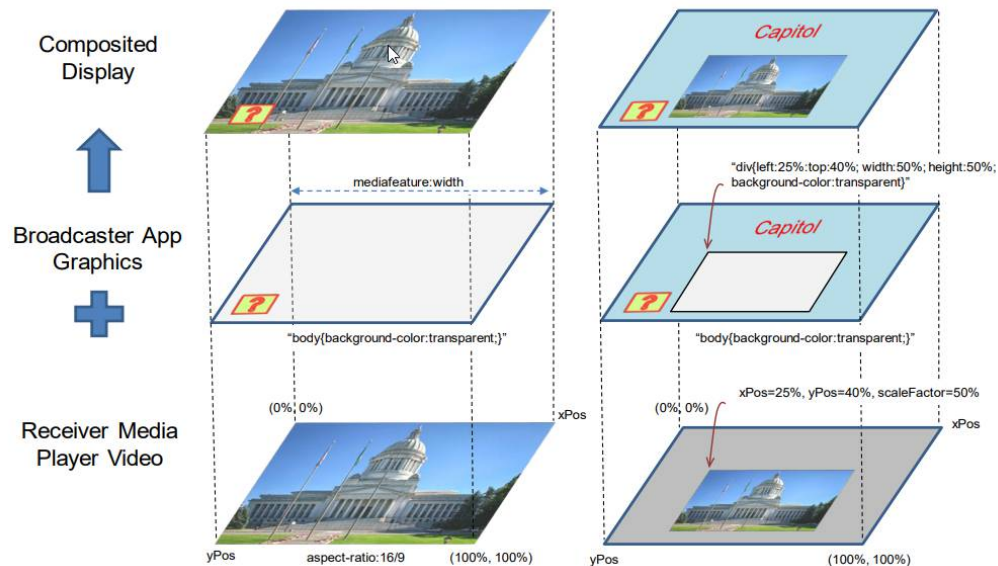
Receiver User Agent Functionality

The graphic below illustrates the relationship and the composition function performed in the receiver. The Receiver Media Player (RMP) presents its video output behind any visible output from the Broadcaster Application.

In the example on the left side of the graphic from the ATSC A/344 standard is what this would look like graphically as a composite display. The graphical output from the Broadcaster Application is overlaid onto the full-screen video being rendered by the RMP. For the linear A/V service with application enhancement, the Broadcaster Application code may also instruct the RMP to scale and position the video, as it may wish to use more area for graphics.

This case is illustrated in the example shown on the right side of the graphic below. The Broadcaster Application will in this case define the appearance of the screen surrounding the video window. It can do that by defining the background in such a way that the rectangular area where the RMP video is placed is specified as transparent thus revealing the scaled version of the video display.

OPERATIONS SECTION



NEXTGEN TV Composited Display with a Broadcaster Application

A Broadcaster Application can expect that the User Agent graphics window RMP logical video display window to be defaulted at its full dimensions of the viewer's screen. Also, since most receiver user interfaces will not enable scroll bar manipulation, the Broadcaster Application will likely disable this capability using standard W3C mechanisms.

It should also be noted that the display of closed captioning should be related to the current audio selected and is expected to be presented on top of all other content and video. However, the display of closed captioning is the responsibility of the Receiver Media Player.

A receiver may also choose to render its own native interface control application on top of the Broadcaster Application due to some user interaction. For example, this may happen when the viewer chooses to configure the receiver settings while a Broadcaster Application is active.

When the receiver presents its own native control application, the receiver, through standard W3C notification methods, shall notify the Broadcaster Application that it no longer has the focus. The Broadcaster Application may choose to either hide itself or maintain its current display. This behavior is left to design of each Broadcaster Application.

Additionally, the receiver may choose to hide the launched Broadcaster Application to avoid issues with scaling video and a full-scale Broadcaster Application. The behavior of whether the Broadcaster Application is hidden or not is left up to the receiver's control application, but the receiver will not terminate the Broadcaster Application, if the associated broadcast service

OPERATIONS SECTION

remains selected and application signaling has not selected an alternative Broadcaster Application.

Regardless of whether the Broadcaster Application is hidden or behind a receiver's native control application, the Broadcaster Application is notified that it has lost its focus via standard W3C notification methods.

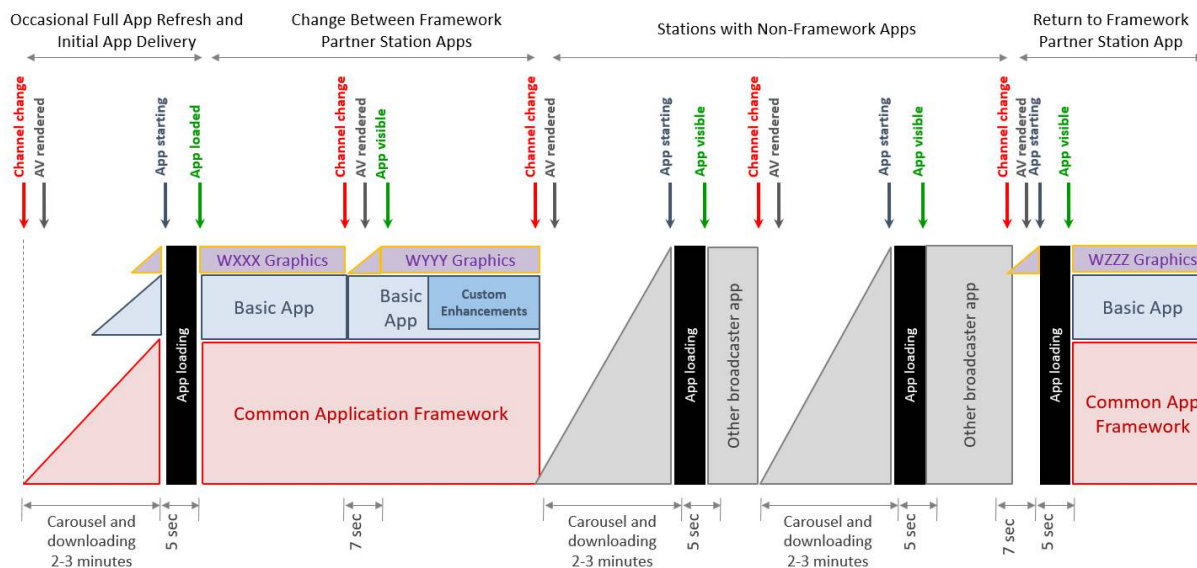
COMMON APPLICATION FRAMEWORK

The Phoenix Network Collaborative (PNC) managed by Pearl TV took note of how the improved viewer experience using a Broadcaster Application resonated with test audiences. As a result, they commissioned the development of a Common Application Framework. This enhancement, its conformance and compliance is managed in the name of RUN3TV. The RUN3TV Framework provides to broadcasters a means to easily stand up a sophisticated Broadcaster Application while still providing a means to expand its capabilities in the future. The RUN3TV Framework provides all of the components required to provide this application with a common look and feel between services and most importantly also provided a means by which the major common application components used in the Broadcaster Application would be persistent or available between changes in services. That would result in speedier loading of the Broadcaster Applications and an improved viewer experience.

Using the RUN3TV Framework's capability, the broadcaster would still be able to bring to their own application a custom look and capability as part of their Broadcaster Application components but by using the underlying common code used across many Broadcaster's Applications.

In a real-world situation, viewers are likely to switch from channel to channel. The RUN3TV RUN3TV Framework and Broadcaster Application for each broadcaster would be in a carousel or repeatedly sent from each service over a period. If the RUN3TV Framework was already loaded from a previous service, it would remain persistent in cache and the receiver would only need to load the application files unique to that Broadcaster Application. This is possible because of a parameter known as the AppContextID. The AppContextID would remain the same from service to service for the RUN3TV Framework but would be unique for the individual Broadcaster Application. You can see this process in the accompanying graphic below.

OPERATIONS SECTION



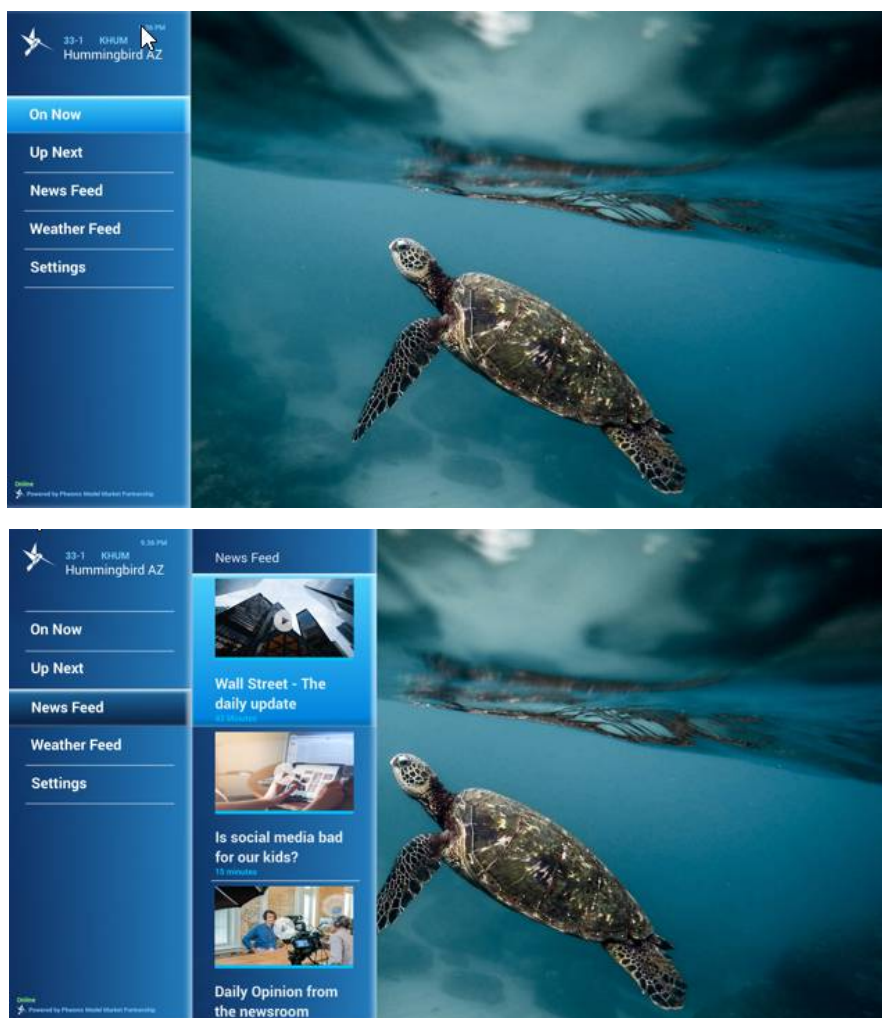
RUN3TV Framework and Application Loading with Service Change

In the graphic above, the receiver’s User Agent would look first to load the RUN3TV Framework as a result of the signaling information from the launch URL found in the HELD (HTML Entry pages Location Description) contained within the broadcast services’ SLS signaling. Since the resultant Broadcaster Application Entry Page obtained from that URL may presumably already reside in the receiver with access through the receiver’s Web Access Server, the receiver would not require to load the RUN3TV Framework again. The receiver would only need to load the unique Broadcaster Application if it did not already reside in the receiver’s App Context Cache. This results in speedier loading, reduction in resources required by the receiver and a common user experience. The download times shown in the graphic are illustrative of broadcast carousel service only. However, these times could be significantly improved with broadband delivery with an Internet connected receiver.

It must be mentioned that the Broadcaster Application, when using the RUN3TV Framework and its common APIs and libraries, can provide at number of levels of sophistication which is totally up to the broadcaster. It may do as little as returning basic viewing data back to the broadcaster or display custom graphics and titles to the basic RUN3TV Framework’s menu or it may provide a very sophisticated viewer experience with streaming components, deep linking and advanced capabilities such as polling or in-application purchase. Those choices are left to the broadcaster, but the Common RUN3TV Framework provides the basis and underlying capability to do all these viewer-friendly capabilities.

OPERATIONS SECTION

In the receiver screen captures below you can see how the resultant Application may appear on a viewer's receiver. The graphics and titling are all from the Broadcaster's Application in conjunction with the RUN3TV Framework's capability. The navigation in the menus in this case is by using the arrow buttons on the remote control along with the Select or OK buttons. These navigation action rules are controllable by the broadcaster within the application as well as the receiver's control and status APIs. In this way, the Broadcaster developed Application provides the customization, unique features and look using the basic underlying RUN3TV Framework which in turn provides the working frame environment, libraries, routines and sophisticated capabilities to the viewer's receiver graphical interface.



Common Application RUN3TV Framework-Based Application Examples

OPERATIONS SECTION

TEST APPLICATION

Authoring, disseminating, and supporting a successful Broadcaster Application can be a daunting obligation and responsibility. For the application to be successful it must be kept current and be constantly reviewed to ensure the best viewer experience possible.

Before a broadcaster commits to a full application with its attendant support, there is a less complex option for the broadcaster to deploy a simpler and more generic test application. The Test Application will provide the assurance that the configuration at the station is correctly signaled and ready for the broadcaster to deploy a more complex application when they are ready.

To keep its delivery to the viewer's receiver simple, the Test Application is not distributed via the NEXTGEN TV broadcast carousel as NRT. Nor does it require any web hosting by the broadcaster. Instead, this application is broadband-Internet delivered to connected receivers by using a simple entry of the launch URL entered into the broadcaster's service HELD (HTML Entry pages Location Description) table found in its Service Layer Signaling (SLS) of the hosted broadcast signal.

The Test Application remains the same regardless of hosted services. It may be provided as a common URL to a wide range of services as a result. Therefore, there is no authoring or web hosting required of the broadcaster to deploy this simple application.

Most importantly, the test application's operation is not visible to the viewer. Instead, the application is loaded by the receiver, and collects simple and anonymous data found within the receiver and reports this information back to a centralized server.

The data collected by the application is:

- Anonymous television receiver identity
- Television receiver's make/model/software firmware
- Application's channel/software version
- Time when application was loaded into receiver.
- Any faults it found while loading or execution.

The Pearl TV on behalf of the PNC will collect and disseminate data collected to the broadcaster deploying the test application upon request.

All that is required to deploy this Test Application is the following entry within the HELD of the Hosted SLS of the Host Signaling device for each service wanting to deploy this application. No other actions are required by the broadcaster. The HELD entry should look something like this:

OPERATIONS SECTION

```
<?xml version="1.0" encoding="UTF-8"?>
<HELD xmlns="tag:atsc.org,2016:XMLSchemas/ATSC3/AppSignaling/HELD/1.0/">
  <HTMLEntryPackage
    appContextId=" tv:a3fa_field_test_app.pearltv.com"
    bbandEntryPageUrl="https://field-test.a3fa.yottacloud.tv/a3fa-common/index.html">
  </HELD>
```

The script above is only an example. The actual URI and URL likely will vary depending on web content hosting locations. Contact Pearl TV or RUN3TV for help in providing the appropriate links required.

REFERENCE

Reference

In this section you will find informative text and diagrams that are ancillary to the text of this document but provide support and further depth to this manual.

REFERENCE

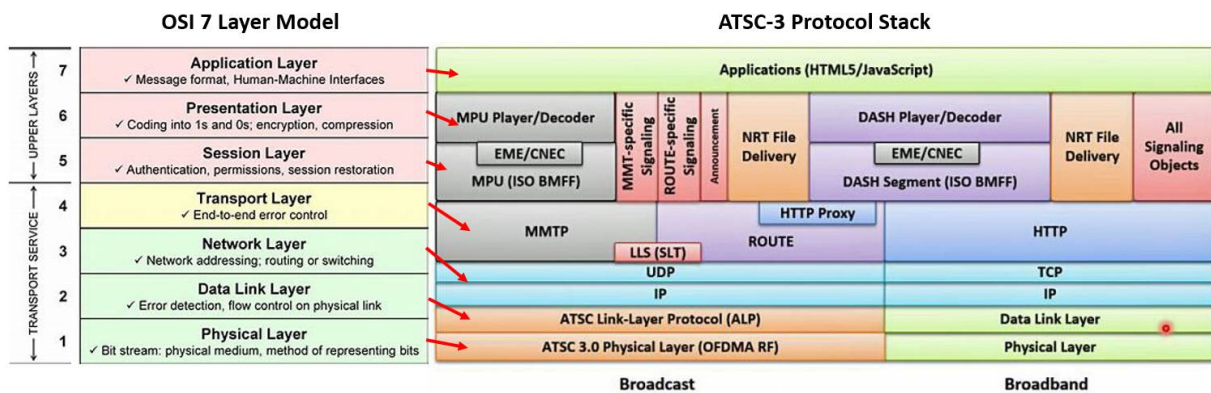
A Short Tutorial

INTRODUCTION

You cannot fully understand how to enable a NEXTGEN TV signal and service on the air without first understanding, at least at a high level, how the ATSC-3 NEXTGEN TV standard works.

No attempt is made in this explanation to include every detail of the standard which would require a far longer document. Also, it is recommended that a separate explanation of COFDM and modulation transmission techniques used in ATSC-3 is studied as well. However, there is an attempt to include enough information in this tutorial to help the reader understand the function as well as the terminology used at each point throughout the broadcast chain.

Below is a very high-level view from the Open Systems Interconnection (OSI) 7-layer model in which the ATSC-3 standard is based. It organizes the functions of a telecommunications or computing system without regard to its underlying internal structure and technology.



OSI 7 Layer Model Compared with NEXTGEN TV Protocol Stack

Its goal is the interoperability of diverse communication systems while making use of standard protocols. In short, each layer stands on its own with its own unique signaling. Each layer passes that data and descriptive tables only to its adjacent layer that describes and locates to be utilized or displayed by the receiver.

This enables changes in one layer's technology with minimal, if any, impact on the other diverse layers. This concept is referred to as an abstraction layer system. For example, a change in an encoder/decoder used in the presentation layer has minimal impact of the underlying layers of the system. Problems can also be more easily analyzed and isolated with a layered approach. In the figure shown above the theoretical OSI model is placed beside the layers as found in the current ATSC-3 standard. This is also referred to as its Protocol Stack.

HEVC - H.265 Encoding

The ATSC-3 standard requires the use of the ITU H.265 High Efficiency Video Codec or HEVC for video encoding. HEVC was developed in concert with the International Telecommunications Union, ITU, an international telecommunications standard and telecommunications coordination arm of the United Nations as well as the Motion Pictures Expert Group or MPEG, part of the International Organization for Standardization (ISO), charged with creating and publishing standards for encoding and compressing audio and video formats used worldwide. HEVC was developed as a natural progression or evolution of the MPEG-2 (used in ATSC-1) as well as AVC, ITU H.264 video encoding standards. HEVC provides the vast improvement over these predecessors in encoder efficiencies required for video at higher scan sizes (as in 4K) that are becoming more common in television streaming, recording and broadcast.

The HEVC codec can be configured in several profiles that set coding depth, scan configurations and so on. However, the ATSC-3 standard requires the use of HEVC Main 10, Main Tier, Level 3.1. This profile requires a color sampling of 4:2:0. The spatial resolution in horizontal and vertical dimension must also be divisible by 8 (it will become apparent why in the subsequent text).

HEVC as used in ATSC-3 supports many of the legacy SD video, interlaced video or progressive video HD scanning formats as defined in sections 6.2.1, 6.2.2, and 6.2.3 of the ATSC, A/341 HEVC standard. The legacy formats are included to maximize compatibility with the existing library of content that has an interlaced scanning structure and might also have an aspect ratio of 4:3. High Dynamic Range, Wide Color Gamut and High Frame Rate are only supported by progressive video formats. Also, 3840 x 2160 (4K) content is supported.

At a high level, HEVC uses many of the similar techniques to compress the visual data as its predecessor's MPEG-2 and AVC codecs. All three of these basically similar codecs use analytical and mathematical techniques to compare and eliminate intra-frame (in the same frame) and inter-frame (consecutive frame) redundancies. The main differences in the three codecs are in the sophistication of the techniques used to analyze and express this redundant picture content. The individual sections of the images used in this analysis and comparison are described more efficiently as a mathematical coefficient rather than a data-wasting description of each pixel. Also, less data will be used if a section of a frame is described as identical to another section in the same frame or that of one in an adjacent frame.

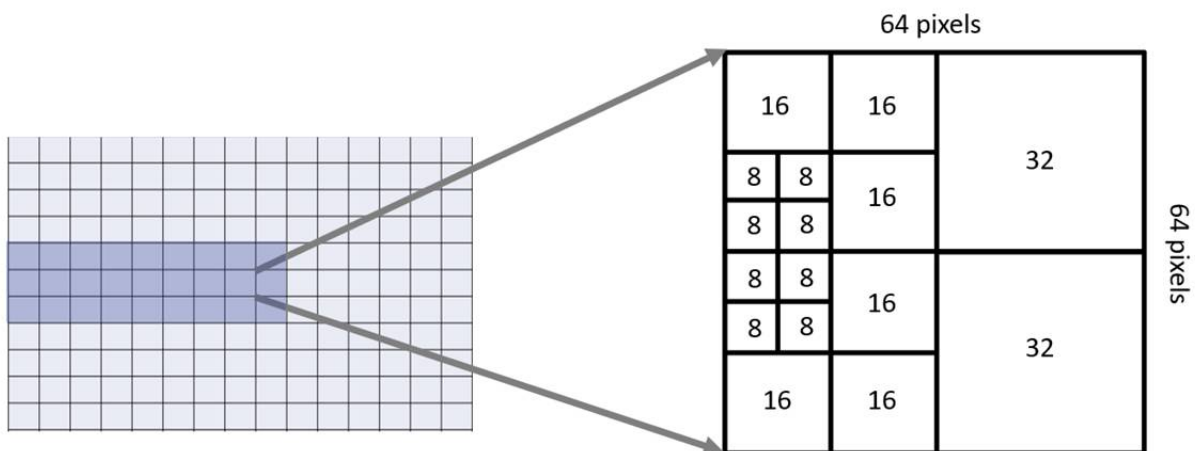
MPEG2 as well as AVC break individual image frames into blocks called macroblocks made up of many individual picture elements or pixels. These blocks vary in size depending on the detail that needed description (more detail, smaller blocks). A complex mathematical description (Discrete

REFERENCE

Cosine Transform or DCT) is used to create complex luminance and chrominance coefficients for each of these blocks unless they were identical to other macroblocks in the same frame or adjacent frames. In that case the identical block only needs to be referenced. Although the calculation required to describe the macroblock is very complex, the data derived (called a coefficient) is likely smaller in data size than what was required to describe each individual pixel contained within a block. Thus, the image can be represented accurately with far less data. This is the very basis of video compression.

HEVC also obtains many of its major gains in efficiency using some clever encoding techniques. For example, it uses two types of compression algorithms to create the mathematical coefficients required. Discrete Cosine as well as Discrete Sign Transforms (not used in MPEG 2 or AVC) are used to calculate coefficients in each of these blocks in luminance and chroma channels.

An exceedingly small portion of a full screen frame is shown below. This section of the screen is first organized in the encoder at a high spatial level as irregularly shaped Tiles or Slices shown in gray. These larger Tiles allow for parallel and multithread processing in the encoder thus speeding the whole encoding process. It is then organized into 64-pixel squares called Coding Tree Units. In turn depending on scene detail, each of those are broken into Coding Units or CUs of 32, 16, or 8 pixels. In some cases, 4-pixel coding units are used as well with little less efficiency but improved fidelity. The larger blocks or CTUs in HEVC were called Macroblocks in MPEG 2 and AVC and were constrained to just 16 pixels square and smaller.



Processing Tiles Containing 64 Pixel Square Coding Tree Units

REFERENCE

Interestingly, a test HEVC encoder constrained to 16-pixel square CTUs is 25% less efficient. So much of HEVC's efficiency comes from its use of larger the larger blocks

This overall analysis is done by the coding engine in the form of a decision tree. After an initial scene frame analysis and division into Tiles or Slices for computational efficiency, Each 64 by 64-pixel square CTU is further broken into 4-32 by 32-pixel luminance/chrominance units called Coding Tree Blocks or CTBs. In turn each of these blocks can be analyzed after being broken down into sub-blocks as small as 4 by 4 pixels.

Also, CTUs are also sub-divided into Prediction Units or PUs. These 64 by 64 to 4 by 4-pixel units are used by the encoder to analyze inter-frame and intra-frame motion prediction and differences resulting from image movement. This technique is called Motion Compensated Predication which in other similar forms has been used in earlier legacy compression standards. If the content of blocks does not substantially change but only moves within the image between frames, it is more efficient to describe the motion of the blocks from frame to frame (direction and distance) rather than re-encoding the whole block's coefficients.

AVC/MPEG 4 for example, uses nine vectors or directions of movement to describe this motion. In HEVC, thirty-five directions or vectors are available. Having more directions or angles, improves the object's smoothness of motion while reducing the codec's coefficient computational load. This improvement in efficiency is possible by not having to re-encode blocks that move at angles not available to the earlier standard's encoders.

HEVC has also added improved image tools such as intra-prediction, motion-prediction, motion-region-(image) merging, improved motion compensation and deblocking filtering (hiding the block encoding edge boundaries).

All of these additional processing techniques have provided an impressive increase in encoder efficiency in HEVC while controlling signal to noise. Overall, with the same content quality result, HEVC is roughly twice as efficient as AVC/MPEG 4 (uses half the data bandwidth for the same video quality). In turn AVC/MPEG is twice as efficient as MPEG2 used in ATSC-1. Said in another form, HEVC requires only one quarter the data bandwidth of MPEG-2 to provide essentially the same visual quality. A 3 Mb/sec HEVC stream should look approximately the same in visual quality as a 12 Mb/sec MPEG-2 stream.

So, in short, HEVC uses a greater variety of analysis block sizes as well as advanced image analysis and coding techniques to reduce the data required to provide similar or better video quality than earlier codecs.

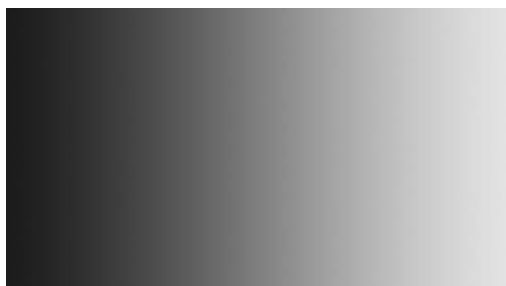
REFERENCE

HIGH DYNAMIC RANGE (HDR)

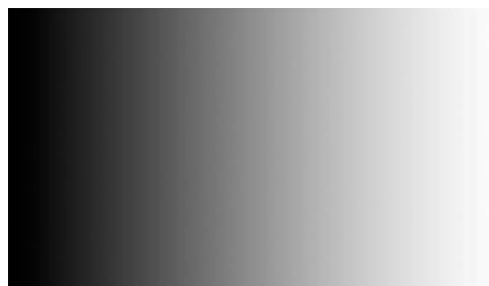
The discussion of High Dynamic Range in the context of video encoding is a very complex subject. Volumes have been written about the theory behind HDR imagery and why it improves video quality.

This text will only try to cover enough of this theory to provide a basic understanding of the subject as well as some of the techniques used to implement HDR in NEXTGEN TV. However, to gain a full understanding of the subject, including many of the controversies associated with various techniques and their visual results, it is left to the reader with an open mind to view the various techniques' results for themselves.

What is image dynamic range? Simply stated, it the range of tonal values from the darkest part of the image in which you can still determine detail compared to the brightest part of the same image in which you can still resolve detail. This difference can be expressed in many forms, that have varying degrees of viewer objectivity. Below is an example of rendering of a lower dynamic range grayscale image on the left that displays from a darker gray to a lighter gray level. On the right is a larger dynamic range rendering of from nearly totally black to as white as the background.



Grayscale of Lower Dynamic Range



Grayscale of Higher Dynamic Range

Often, HDR is confused with just the display's ability to render an extremely bright image or highlight. If that highlight still has detail, that image could be erroneously thought of as an HDR image. However, it is the range or depth of the of the total tonal range that is critical. Below are two HDR images. Unfortunately, it is difficult to show the reader how HDR truly appears since any images shown are likely to be displayed on a device or publication with a narrower tonal range. However, it can be noted that bright areas of the skies of both these images shown below are properly exposed as are the far darker areas with a very wide tonal range. Technically speaking these images have been tone mapped to appear in the limited dynamic range of a publication.

REFERENCE



Images Illustrating HDR Tonal Range

The problem of photographic or by extension television imagery not matching our mental image has been around for a long time. Photographs taken on a glass plates without a negative by a French photographer Gustave Le Grey as early 1850 of an ocean scenes used a clever trick to solve this issue and provide an image not unlike what we would consider High Dynamic Range.

Le Gray's individual plates probably only had a relatively low dynamic range of 6 f stops or less where the scene probably requires 10 -12 f stops of range to match the human more closely, single scene, visual range. So the photographer split the baby of sorts, by using two plates. One plate was exposed appropriately for the top of the picture and one appropriately for the darker bottom including the sea and beach. The plates were spilt and then joined into a single plate for display. The idea was brilliant and way before his time. He had found a way to represent what your eye and brain does "automatically" through eye and brain adaptation.



Gustave Le Grey Combination Image - 1850

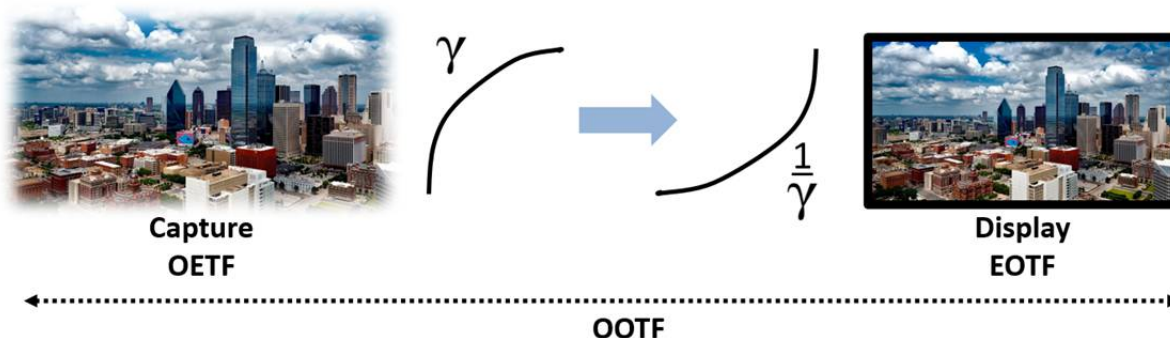
REFERENCE

One way is to express this desirable difference image dynamic range is in f-stops. F-stops are an dimension-less expression of a lighting ratio often used in photography of all types including television. Lens controls used to control the light provided to a film or video camera's imager often use this notation for reference. In short, a change in one f-stop to one lower number or lens "stop" doubles the amount of light passing through the lens (this system has a basis in a ratio, so a lower number raises the light level to the film or imager). Conversely, changing the f-stop to a higher number by one stop halves the amount of light passing through the lens. Two stops to a higher numbered f-stop provides one quarter the light and so on. Handily for us in the digital age this 19th century concept works by a power of two.

Using "stops" as a metric, SDR or standard dynamic range television (at either SDTV or HDTV resolution, both of which, in the consumer domain, utilize 8-bit video quantization) can represent roughly 6 f-stops worth of range from the darkest to the brightest levels. Professional SDR (10-bit video) supports about 10 stops of dynamic range. 10-bit sampled video equates to a light level ratio of roughly 1000 to 1. Even 10-bit coding utilizing in the SDR method is still far from the range needed for HDR imaging. Twelve f-stops or more of tonal range is considered "High Dynamic Range".

An SDR tonal range image in television is not processed or transmitted in a linear fashion, however. The camera's images are processed to slightly increase the signal's value in the dark areas (to mask imager noise) as well as slightly compressing the signal in the gray and white areas (to mainly account for the opposite response characteristic of the display). This original SDR transfer characteristic (as well as color gamut discussed later) between camera imager and display is documented in the ITU-R Recommendation BT.709. This pre-correction in image light tonal transfer characteristics is generally referred to as the image's "gamma" correction shown by the Greek letter "gamma" shown in the graphic below. The purpose in processing the image in this way ensures that the display's gray scale value will appear with a tonal value as needed to appear normal to a viewer on a typical display. Essentially, the optical (light) to electrical transfer function (OTF) characteristics of the imager and its processing is designed with the display's electrical to optical (light) transfer functions characteristics (EOTF) in mind. Overall, the net result is referred to as the Optical-to-Optical Transfer Function of the system (OOTF).

REFERENCE



Transfer Characteristics of an Electronic Imaging System

Now in the past, it was difficult to expand the dynamic range of the image because the dark areas suffered from imager noise. Also, the imaging devices, processing amplifiers and displays would saturate (not provide more electrical output with more light) at the highest light levels. Standard Dynamic Range displays are also generally lower in overall maximum brightness levels (because they did not need to display a higher tonal dynamic range). A consumer SDR display's maximum brightness level is typically in the 100 to 300 nit (candelas per square meter) range. "Nit" is a colloquial term commonly used instead of "candelas per square meter". It derives from the Latin word, *nitere*, meaning "to shine".

Also, the analog to digital convertors found in earlier cameras had insufficient quantizing bit depth to provide an increased dynamic range without providing noticeable quantizing noise. When these convertors were presented with more imager electrical (light) range, it needed to be spread across the same digital quantizing steps used with the narrower tonal range. This creates objectional and visually resolvable steps in the grayscale and color, referred to as quantizing steps or noise.

Newer imagers and processing can now handle a greater imager electrical (light) range with more than 14 bits of quantizing. The resultant noise provided by the imagers is extremely low even after downscaling to lower bit depths (as in 10 bits). This is possible because of advanced scaling and noise reduction techniques. Therefore, the imagers and processing used in cameras can now handle dynamic ranges of up to 14 f-stops or more with minimal resultant quantizing noise in the image. High Dynamic Range is generally understood to refer to images created and rendered with about 12 or more f-stops of tonal range. For reference and comparison, the human visual system can resolve in a single scene (i.e., at a single state of visual "adaptation") a dynamic range of about 12 to 14 f-stops. This comes about from you eye being able to adapt nearly instantly to a bright and dark part of a scene that is then "built" in your brain as a single image. Your eyes can very quickly dart (you likely don't even realize it is happening; it is called saccadic eye movement) let us say for a bright sky to a darker beach in a foreground. You brain builds nearly instantly the full

REFERENCE

tonal range image much like the Gustave Le Grey plate. Your brain has learned to ignore or smooth out this eye motion called saccadic cancellation or adaptation. Your eyes can dart extremely quickly in as little as 20 or 30 milliseconds. The iris in your eye adapts quickly as well helping you to see the higher dynamic range. Thank goodness, this capability really improves our experience in watching sunsets.

This increased range cannot just travel from imager to receiver displays without processing as has been mentioned. Most critical in this processing are the transfer characteristics of the camera's imager and display. The light to electrical transfer characteristics of the imager and the electrical to visual transfer characteristics of the display (and its maximum brightness) need to be considered as a whole. If this imager to display transfer characteristic is not considered, the imagery will not be rendered such that the grey scale or tonal range will look appropriate to the viewer. This is referred to as the optical (camera light input) to optical (display light output) transfer characteristic. (OOTF).

Most modern HDR film and television cameras capture images with at least the required 12 to 14 f-stops of range. HDR video systems are necessarily more sophisticated than those for SDR, in order to allow 10-bit video to represent a true high dynamic range. The transfer characteristics used in HDR are documented in ITU-Rec. BT.2100, which also describes many other characteristics of HDR video including bit depths, color gamut, etc.

Part of that consideration is the brightest part of the image in which detail should be resolvable as well as the maximum brightness of the display screen. These two different reference factors also differentiate two of the major HDR systems used in ATSC-3.

One of the High Dynamic Range systems used in the ATSC-3 broadcast standard (see ATSC A/341). is "PQ" (short for "Perceptual Quantizer") transfer characteristic that is described in the SMPTE ST 2084 standard. The PQ system is utilized in certain HDR system variants, each known by different names; they have various levels of enhancements involving static or content-dependent dynamic metadata, such as HDR10, Dolby Vision, and HDR10+. As with all HDR systems used in ATSC-3 PQ is available in progressive scanning video formats, but not in ATSC-3's interlaced formats, since interlace is a legacy image format with likely very little programming produced in HDR.

These various PQ systems are based on the assumption by the program's producers as to the maximum brightness of the display. In general, the brightness of an HDR display is considered in the range of 500 -1000 nits (or candelas per square meter). However, typically, a brightness level of 1000 nits (or candelas per square meter) is assumed to be a typical PQ, HDR reference display brightness. But, to be clear, other display values are practical and do exist. Display brightness

REFERENCE

levels of 10,000 nits or more are used in outdoor displays for example. During post-production, the content's producer can be assured the display renders the image as it was wished to appear.

A second system available is Hybrid Log-Gamma or HLG. This system was developed jointly by Britain's BBC and Japan's NHK. The goal was to provide a system that was based in the dynamic range of the scene which could be adapted to the capability of the receiver's display from SDR through varying brightness levels of HDR displays, but without any use of complex metadata, presumably making it simpler for use in live production and broadcasting.

Interestingly, nearly all HDR television cameras made today provide only Log Gamma type-formats including HLG HDR signals, because this provides the most practical approach to live HDR television production.

As hinted earlier, these two systems have their proponents with different opinions expressed about which one does the job better. Realistically, both do about an equal job. Note that conversions are easily made when necessary, in commercially available real-time hardware, between the two HDR signal types.

One of the most important characteristics that is provided with HDR imagery is the fact these images are likely to appear noticeably "sharper" than those in SDR. This happens because your brain tends to perceive greater sharpness in images with higher contrast. That is one of the reasons that black type is used on white pages in books for example. The wider tonal range and resultant increased contrast in HDR imagery provides that contrast. This apparent increase in sharpness is referred to as acutance. Acutance is defined as a subjective psychophysical (eye-brain interpretation) rather than an objective measure of the actual sharpness of an image. Proper use of HDR imagery can bring more apparent sharpness to a 1080P transmission in many cases than the use of 4K imagery without HDR.

WIDE COLOR GAMUT (WCG)

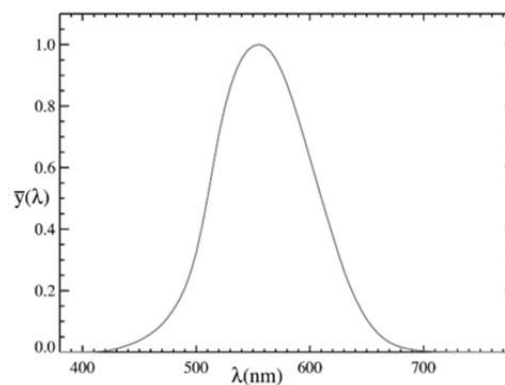
As background, the human eye has rods and cones in its retina. The rods respond to luminance only (generate no color perception) and play an important role in low light level vision. However, rods have relatively little effect on color vision perception. Also, the human eye's retina contains cones. There are three different types of cones that respond to red, green, and blue color wavelengths. The eye and brain work in concert to use all the information generated by these three types of cones to interpret the color and brightness or luminance of an image.

The overall response of the eye and brain is shown below as a function of illumination version wavelength which corresponds to the perceived color. This graph is known as the CIE-1931 Luminosity response diagram. The CIE, The International Commission on

REFERENCE

Illumination (abbreviated CIE for its French name, Commission Internationale de l'Éclairage), is the primary international authority on light, illumination, color and color space.

The shorter wavelengths on the left are perceived as blue while the longer wavelengths on the right, are perceived as red. This curve assumes an equal amount of radiant energy is provided to excite each of the three-color cones to the human eye and what would be perceived. Said in another form, the human eye and brain do not have a flat or even response to the primary colors that make up the whole color space.

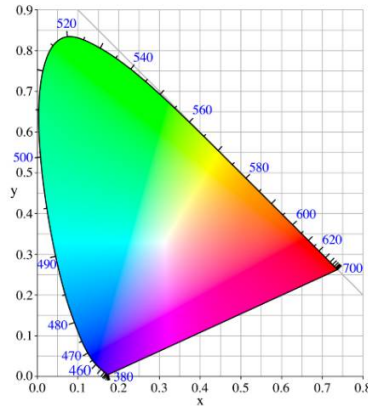


CIE-1931 Luminosity Response Graph

The CIE provides an alternative method to define the eye's visual response such that the components required to create visible colors are shown taking to account only the relative values of the primary colors (without regard to luminance) required to render color.

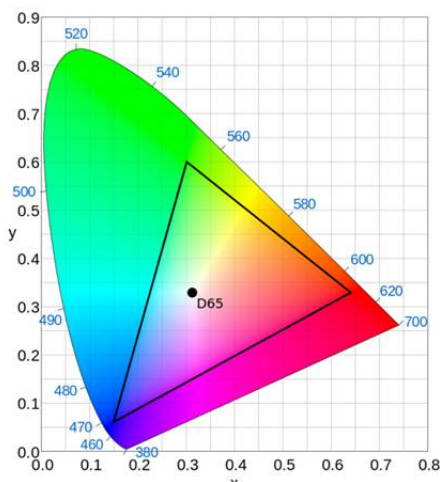
This is referred to as the CIE-1931 Color Space Chromaticity diagram (independent of luminance) chart. The 400 to 700 nm color wavelengths are shown around the edge. The approximate corners and tip of this curve indicate the areas of the primary colors. The volume of the curve indicates the relative eye-brain response to the various "shades" of the colors available. It is referred to as the color space, volume or visual gamut (complete range). This diagram is shown below:

REFERENCE

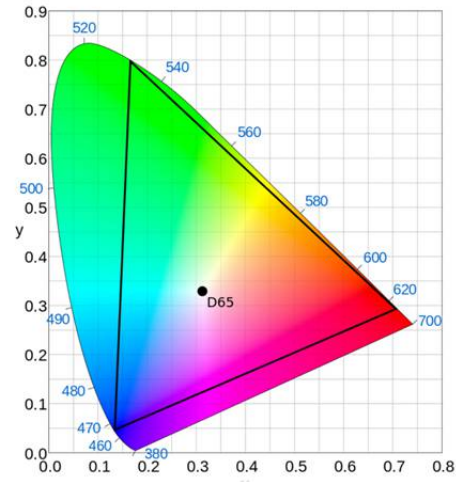


CIE-1931 Color Space Chromaticity Diagram

Shown in the left chromaticity diagram below is the defined recommended color space rendered though ITU-R Recommendation BT.709 for standard definition (non-HDR) HDTV. It is shown in the dark triangle within the total CIE-1931 visual gamut. This color response was limited in legacy BT.709 standard definition television equipment because of the filters used in cameras, individual color quantizing depth and phosphors found in earlier CRT displays. This limited color space compared to the human visual response led to difficulties in creating faithful flesh tones as well as rendering simpler areas such as green grass properly. Processing tricks were often used in receiver displays that endeavored to mask these shortcomings. But it always came at a loss in some part of the more complete color space.



ITU Rec. 709



ITU Rec. 2020

REFERENCE

More recently in 2012, the recommended color space of HDTV was redefined/upgraded in gamut for UHD TV in ITU-R Recommendation BT.2020 (these color specs are also used in BT.2100 for HDR). This was made possible with the advent of improved camera imagers, filters, greater quantizing depths and the improved display's color rendering. This improved color space (again dark triangle within chart on the right in the diagram above) is shown on top of the same CIE-1931 chromaticity chart. This new, more representative color space compared to the human eye response is referred to as Wide Color Gamut or WCG.

BT. 709 defines 8 bits of quantizing depth per color. This roughly defines 256 shades per primary color. Therefore, ITU-Rec. 709 is capable of roughly 16.78 million colors.

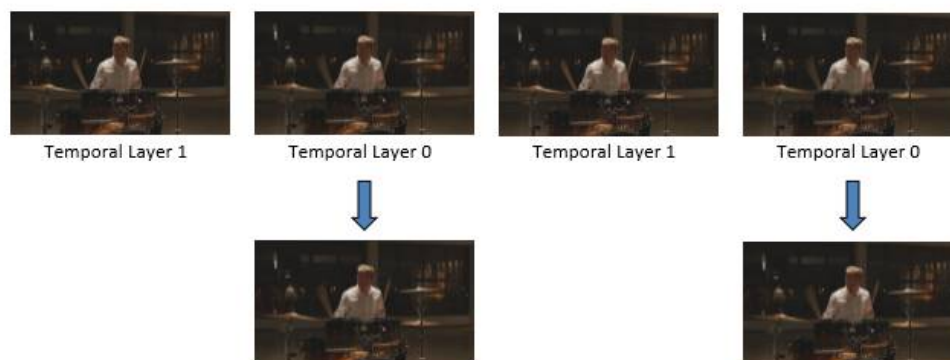
BT. 2020 stipulates either 10- or 12-bit depths. With 10 bits, a possible 1 billion colors (1,073,741,824) can be defined. With 12-bits, 68 billion colors (68,719,476,736) can be defined.

This vast improvement in color gamut rendition is only possible when all the transfer characteristics, bit depths and capabilities of HDR are used. Therefore, HDR and WCG go hand in hand.

HIGH FRAME RATE (HFR)

The ATSC-3 standard's HEVC supports 120-fps (frames per second) integer (as in 60 Hz), as well as fractional (as in 59.94 Hz) rates. Higher frame rates improve the viewer experience by smoothing motion occurring within the television image. This provides more immersive imagery for high motion content such as in sporting events with fast motion. However, not all receivers can display higher frame rates.

If the receiver can display just, 60 fps, for example, the receiver/display could be designed to just disregard every other frame. That should solve the compatibility of less-capable displays.

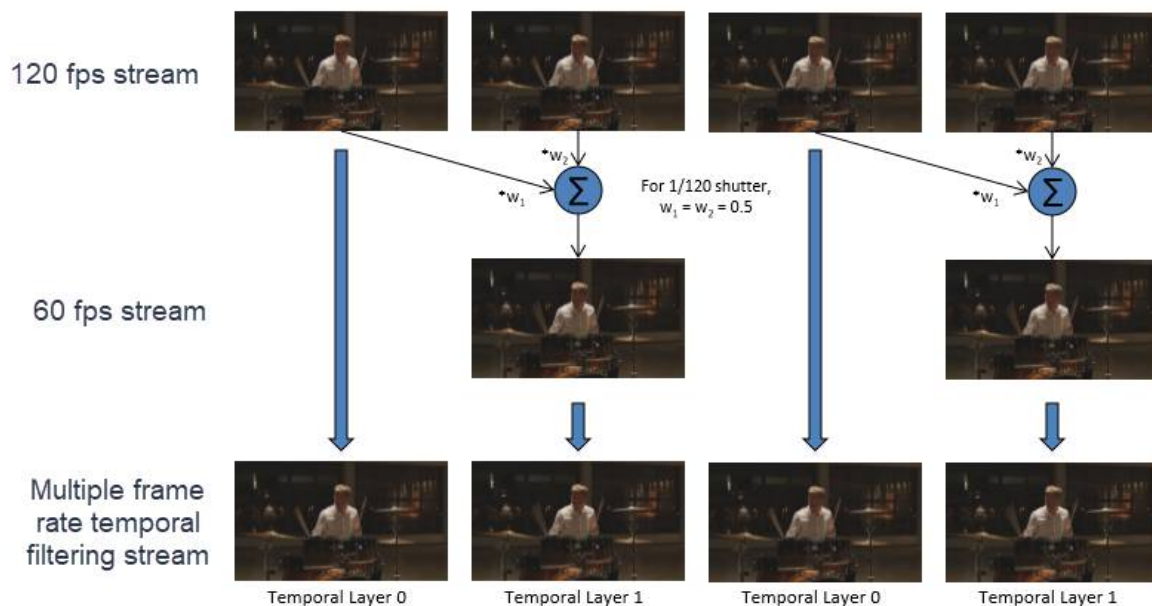


Simple Frame Rate Conversion

REFERENCE

However, there is another, not so obvious, issue if this method is used. At 120-fps, the length of each frame in time is just $1/120^{\text{th}}$ of a second. You can think of this as the equivalent of the shutter speed in use in each frame. Therefore, if alternate frames were dropped to make the HFR 120-fps signal compatible with 60-fps displays, there will be a “jump” of $1/120^{\text{th}}$ of a second in motion after every 60-fps displayed frame. Each frame would be sharp with minimized motion blur because of the fast shutter speed, but the step created in the motion will be noticeable when the adjacent frame is skipped. This stepped motion will likely be objectionable to a viewer when displayed for $1/60^{\text{th}}$ of a second frame length of a 60-fps display. Technically, this creates a temporal (time related) artifact and can be a source of viewer annoyance. This is sometimes referred to colloquially as “strobing”.

A technique called Multiple Frame Rate Temporal Filtering allows for a means to efficiently deliver HFR video while remaining compatible with lower (reduced) frame rate displays with longer display intervals. When no temporal artifacts are desired, the ideal streams transmitted would be 120-fps video with a $1/120^{\text{th}}$ second shutter interval along with 60-fps video with a $1/60^{\text{th}}$ of a second shutter interval. The diagram below describes a method of creating these two compatible video streams.



Multiple Frame Rate Temporal Filtering

In the resultant HFR video stream shown, a standard 60-fps frame rate stream is created by dropping every other frame but avoids the artifacts mentioned earlier. Temporal filtering

REFERENCE

simulates a $1/60^{\text{th}}$ second shutter interval by averaging the current and previous frames of the HFR video stream shown above in Temporal Layer 1. However, because modern solid-state imagers used in video cameras often have independent shutters that shorten the shutter period to a duration lower than the frame period (as in, let us say $1/240^{\text{th}}$ of a second) to control imager sensitivity. Trying to blend these even shorter frame periods can cause double images as seen below.



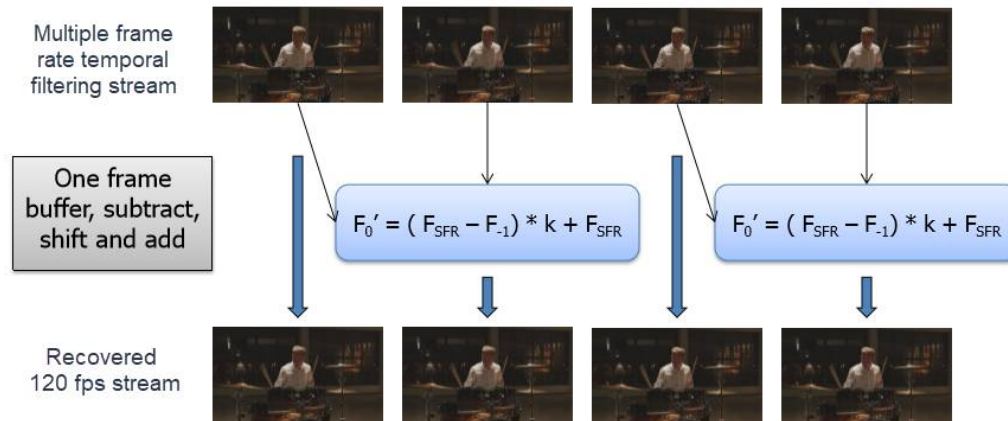
Artifacts of Shortened Shutter Speeds

In this case, it may be desirable to use a weighted average rather than a double image. This results in a strong primary image and a less-perceptible secondary image. This balances the negative effects of other sources of temporal artifacts. By using this technique, the eye is drawn to the stronger image, rather than the secondary, ghost image, while the secondary image helps fill motion step with an in-between image.

So, to improve the image above, the 60-fps receiver display should use Temporal Layer 1 that contains the blended average display created by the additive nature filtering systems.

However, this now leaves a 60-fps temporal artifact for the 120-fps display. Therefore, in the case of the 120-fps display system a reverse process to that used in the temporal filter of the encoder is applied to the alternate temporal frames received. In that way the original stream is recovered to its original temporal flow and will be properly displayed on a 120-fps display without artifacts.

REFERENCE



Multiple Frame Filtering Temporal Filtering 120fps Recovery

AC-4 - Audio Encoding

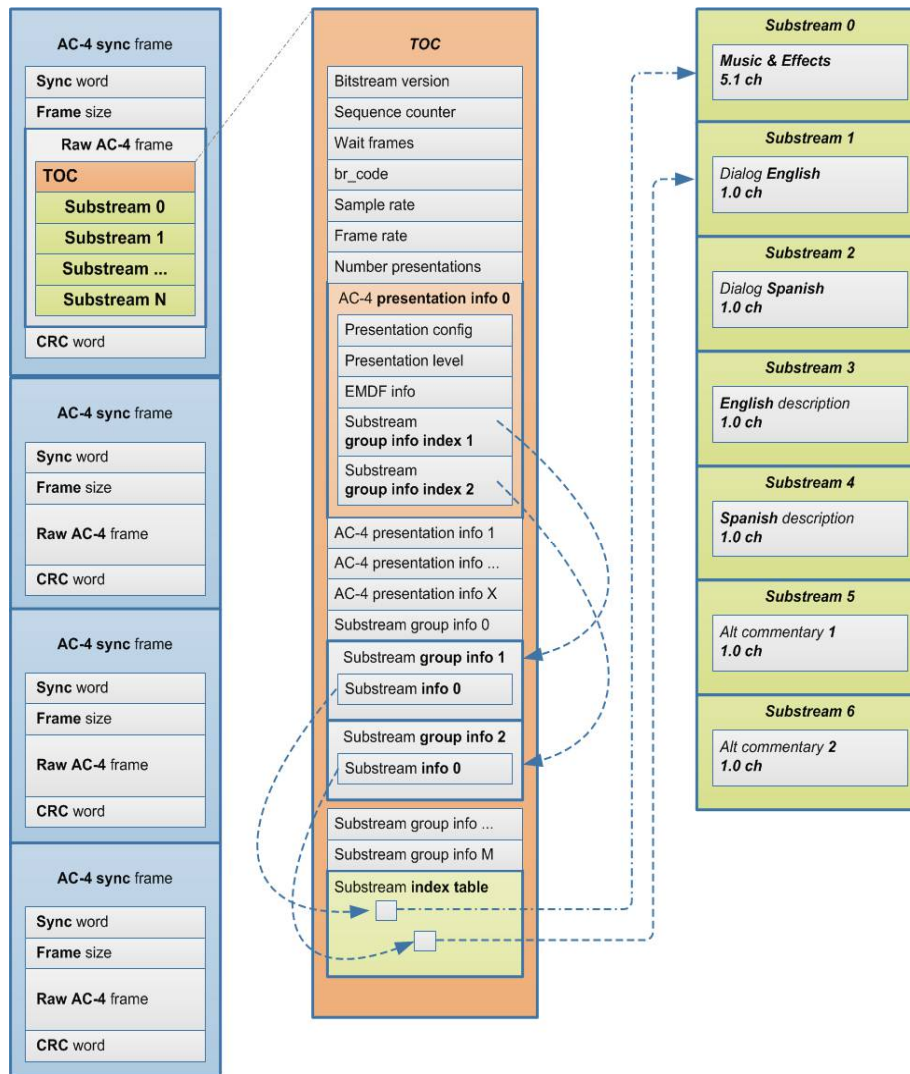
The AC-4 is designated as the audio encoding codec in ATSC-3 NEXTGEN TV in North America (MPEG-H is used in Korea). The AC-4 audio codec was developed Dolby Labs as a proprietary system and adopted by the ATSC for use as an alternative Next Generation Audio codec for use in NEXTGEN TV. As with the video compression standard, HEVC, AC-4 is at least two generations more efficient than the audio codec used in AC-3, the audio codec designated for ATSC-1. Also, with the new codec, broadcasters can retain their current audio workflows indefinitely while having the optional use of many of AC-4's most advanced and useful features.

AC-4 supports the carriage of multiple audio Presentations in a single bit stream. Information provided as metadata for each Presentation includes instructions for selecting and mixing Audio Program Components. The AC-4 "Table Of Contents" (TOC shown in the diagram below) contains a list of one or more Presentations that are carried in the data stream. Presentations consist of sub-stream groups, where each sub-stream group has a specific role in the user experience: Music & Effects, Dialog, Associated Audio, etc. sub-stream groups can be shared between Presentations so that streams common to several Presentations do not need to be transmitted twice. The use of this agile metadata provides the ability for the viewer to select custom languages, dialog and descriptions with minimal bandwidth impact.

A Presentation informs the decoder which parts of an AC-4 stream are intended to be decoded simultaneously at a given point in time, describing available user experiences. Features such as loudness and dialog enhancement are also managed by the Presentation.

The diagram below shows an example AC-4 TOC with several Presentations for M&E with different language-dialog sub-streams. The selected Presentation contains the 5.1 M&E sub-stream, and an English dialog sub-stream.

REFERENCE



AC-4 Table of Contents

DIALOG ENHANCEMENT

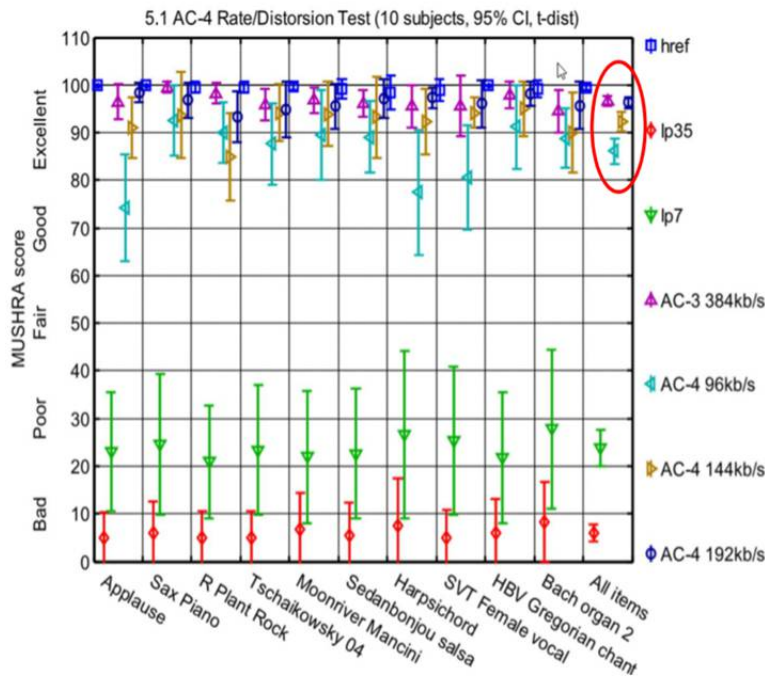
AC-4 allows the viewer to tailor the program dialog level to suit their preference. This technology works with both legacy content that contains dialog mixed into the main audio as well as new content where a separate dialog track is available to the AC-4 encoder. Dialog Enhancement is implemented by utilizing the power of the audio encoder to analyze the audio stream and generate a reliable parametric description of the dialog, independent of whether a separate dialog track might be available. These parameters are sent with the audio in the AC-4 stream as metadata and can be used by the receiver's decoder to control the dialog's level under user control. AC-4

REFERENCE

decoders in receivers use this parametric description to perform the Dialog Enhancement. There is no action needed by the broadcaster from an operational side to enable or activate this feature.

DATA RATE EFFICIENCY

AC-4 provides significant compression efficiency improvement over AC-3. For example, AC-3 is commonly used at a data rate of 384 kbps for delivering a 5.1-ch Complete Main mix. With AC-4, broadcasters can use data rates of between 96 kbps and 144 kbps to deliver the same 5.1-channel audio with nearly identical quality. In order to provide margin for operations that might require downstream transcoding or other operations, the table below shows the recommended minimum data rates for stereo and 5.1-ch configurations.



Comparative Data Efficiency of AC-3 and AC-4

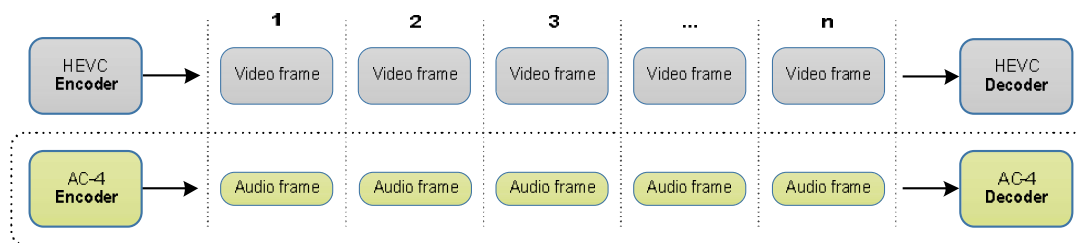
A/V SYNC AND FRAME ALIGNMENT

The A/V frame alignment feature of AC-4 avoids complex problems that can occur when trying to keep content in sync at segment boundaries, without compromising the audio at switching points. When enabled, this feature simplifies splicing workflows. It also simplifies transcoding from or to formats that use video-based data frame alignment, as in used in “embedded” HD-SDI.

REFERENCE

AC-4 audio frames may be coded at the same time interval as the associated video frame. With this frame alignment, audio can be passed transparently through a cable, satellite, or Internet Protocol Television (IPTV) turnaround facilities, eliminating the need to decode and re-encode audio to correct time-base differences or to perform switching/splicing. All common integer and fractional video frame rates are supported. To select the correct frame rate and time-align the audio frame boundaries to video, the AC-4 encoder is provided with reference timing information. There is a direct whole-frame relationship between video and audio frames from a reference time, such as at the start of a coded video sequence or at a random-access point (RAP).

This A/V sync time alignment is a critical feature that facilitates accurate metadata delivery, switching and splicing throughout the content delivery workflow. The delivery of metadata is crucial for viewer's discovery and selection of many of AC-4's most advanced features.



Video and Audio Frame Alignment

DYNAMIC RANGE CONTROL

AC-4 provides user-controllable management of overall audio program dynamic range. This allows the viewer to provide a listening experience similar to what may be found in a theatre type environment, sometimes referred to as an immersive experience.

This capability is provided as part of the AC/4 decoding system and can be surfaced for control by the viewer in steps. Obviously, the effectiveness of this adjustment is also impacted by the quality of the sound system and speaker placement used by the viewer. This includes legacy AC-3 DRC profiles as well as custom DRC profiles that can be defined for an output mode (e.g., home theater, flat panel TV, portable speaker, and portable headphones).

Consumer polling indicates that AC-4's immersive features is one of AC-4's desirable features.

EXTENSIBLE METADATA DELIVERY FORMAT SUPPORT

The AC-4 bit-stream includes support for the carriage of Extensible Metadata Delivery Format (EMDF). EMDF provides a structured and extensible container for additional user data (for example, third-party metadata and third-party application data) to be carried in AC-4 bit-streams.

REFERENCE

This metadata is critical for accurate representations of the streams in packagers as well as viewer-facing content control and feature labeling in receivers.

LOUDNESS CONTROL

The loudness metadata included in the AC-4 elementary stream allows for a full range of parameter description, including:

- True peak and maximum true peak
- Relative gated loudness values
- Speech gated loudness values
- Dialog gating type
- Momentary and maximum momentary loudness
- Short term and maximum short-term loudness

INTELLIGENT LOUDNESS MANAGEMENT

In addition to the carriage of an enhanced set of loudness metadata beyond dial-norm, AC-4 incorporates a means to verify that the loudness information carried in the AC-4 bit-stream correctly describes the accompanying content. The system can use this means to signal to devices after decoding that the loudness metadata is accurate and no further loudness processing is needed. This behavior protects the audio from additional and unnecessary processing that can degrade audio quality. The AC-4 encoder incorporates a real-time loudness normalizer that can be dynamically enabled when the incoming loudness metadata cannot be validated.

TARGET DEVICES

AC-4 supports device-specific metadata to optimize rendering based on output-device characteristics. Target-device metadata can optionally enable conditional authoring and rendering based on output speaker configuration. This feature gives content creators artistic flexibility for creating an optimal sounding mix for all output speaker configurations without the compromises of downmixing.

ALTERNATIVE METADATA

Alternative metadata supplements existing object metadata to allow different renditions of the same object to be created for each Presentation. Alternative metadata can also be defined for each target device.

REFERENCE

ADVANCED SINGLE-STREAM AND MULTI-STREAM (HYBRID) PRESENTATIONS

AC-4 enables advanced single-stream Presentations by carrying multiple Audio Program Components in a single AC-4 bit-stream. This allows all Audio Program Components of a single Presentation, as well as components of multiple Presentations, to be carried within a single AC-4 bit-stream. Hybrid delivery uses transport of one Audio Program Component over a first path, such as a broadcast path, and one or more Audio Elements over a second path, such as broadband (Internet) or an alternate ATSC 3.0 Physical Layer Pipe. AC-4 supports advanced multi-stream Presentations to enable hybrid-delivery use cases.

CORE AND FULL DECODING

The AC-4 decoder has two decoding modes: core decoding and full decoding. Core decoding enables a low complexity decoding of a complete audio Presentation for devices with limited output capabilities (e.g., mobile devices, tablets, televisions, etc.). Full decoding enables a complete audio Presentation for devices with expanded output capabilities (e.g., Audio/Video Receiver). The choice of decoding mode enables a single bit stream to be compatible with a wide range of device types and applications.

HIGH SAMPLING FREQUENCIES

AC-4 supports high audio sampling frequencies of 96 kHz and 192 kHz. However, the ATSC 3.0 standard constrains the sampling frequency to 48 kHz. The AC-4 bit-stream is structured such that bit streams with high sampling frequencies can be decoded to PCM at 48 kHz without any penalties.

This feature minimizes the complexity of decoders that do not need to support high sampling frequencies.

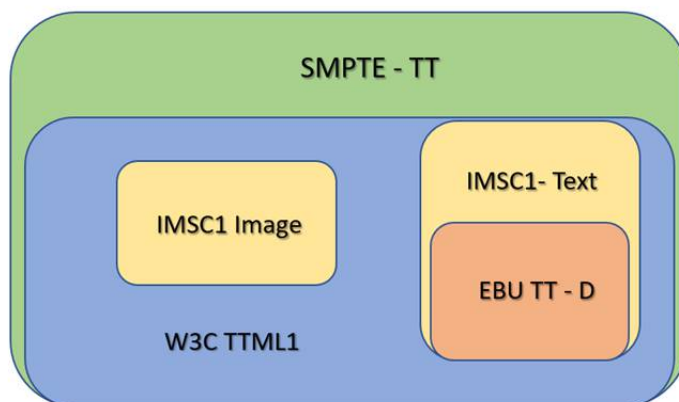
SEAMLESS AUDIO SWITCHING

DASH transport allows transitions between Representations within the same Adaptation Set in order to optimize playback quality for changing network conditions. AC-4 enables seamless switching between AC-4 streams of the same media content with the following types of configuration changes:

- Bit-rate changes
- Channel-mode changes
- Frame-rate changes where the higher frame rate is a factor of two or four times the lower frame rate (e.g., from 48 to 24 fps and vice versa)

IMSC1 Closed Captioning

ATSC-3, NEXTGEN TV requires the use of a form or profile of W3C's Timed Text Markup Language (TTML) for representing subtitles and closed captioning. The IMSC1 profile is an XML-based W3C standard which is both constrained as well as expanded by some of the features found in the SMPTE Timed Text (SMPTE-TT) profile as defined in SMPTE RT 2052-1. Making use of the full SMPTE-TT profile would be more complex than necessary to meet the closed captioning and graphic subtitle requirements of NEXTGEN TV. So, the W3C's IMSC1 profile was selected for use for closed captioning in NEXTGEN TV having been designed specifically for broadcast as well as broadband delivery. NEXTGEN TV will use both the image (subtitle) and text sub-profiles that are also part of IMSC1. The relationships of some of the many Timed Text profiles with its constrained and expanded relationships are shown in the graphic below.



Alternative Timed Text and IMSC1 Profiles Relationships

IMSC1 uses XML to describe its content, timing, layout, and styles. IMSC1 is similar to HTML-5 with CSS (Cascading Style Sheets) in concept. In fact, most IMSC1 styles have a direct equivalent in CSS.

IMSC1 supports world-wide language and symbol tables. It is already in use by various other media delivery systems including the Internet. As part of the SMPTE-TT profile, IMSC1 provides FCC closed caption safe-harbor for IP delivered captioned content. It also can support the FCC requirements for CTA-608/708 and IP captioning. It provides a means to “tunnel” CTA-608/708 legacy captioning using the SMPTE ST 2052-11 recommended practice. It also has near direct compatibility with EBU-TT - D being deployed in by European broadcasters.

There are two IMSC1 sub-profiles. The Text Profile requires a font rendering engine in the decoder. The Image Profile is provided to render and display PNG subtitle files.

REFERENCE

SYSTEM ARCHITECTURE

IMSC1 content “document” containing captions and subtitles that use one or more standard segmented ISO BMFF wrapped files, each of which containing one or more of the required XML documents.

Each IMSC document is self-contained and combines content, timing of presentation, layout and styling information. The content of the document is structured using tags like those used in HTML timing and styling are expressed using style attributes and concepts similar to anyone familiar with CSS.

IMSC1 defines the structure of graphic subtitle content as well within the XML document. It consists of a series of elements, which you can use to enclose, or wrap, different parts of your subtitle content to make it appear in a certain way or appear and be removed at a certain time. Many of these are similar as well to or the same as HTML features.

IMSC1 does differ from standard HTML in several ways, however, here are just a few of those differences:

There are differences in semantics including some declaration and styles used within IMSC1 that do not have direct HTML parallels. This was done to make it more useful construct when used in a video and audio presentation as found on the Internet or over-the air broadcast.

As the Timed Text name implies the time of display as well as the removal of the text or subtitle graphic is controllable within IMSC1. Without the use of these timing statements, the text or subtitle content will be shown during the complete duration of the video stream. That is likely undesirable. Likely the broadcaster would want text and subtitles to be presented a certain time and then disappear at designated time paralleling its associated audio dialog.

This requires the use timing attributes of, begin, end, dur (duration). The timing is generally from the start of the content in the format of hh:mm:ss:ff. Also, time to start and duration time format in seconds os also possible. However, for proper display the receiver media player must have a reference for the content start time to ensure the calculation required for timely display is correct.

As an example, below is a very simple example of IMSC1 XML document that applies the text “NextGen Television” in two different formats and two different “regions” on the screen 5 seconds after the video starts and removes it 7 seconds later or 12 seconds from the start of the video. As shown, background and text colors can also be controlled as well including “transparent” which is the default background unless otherwise noted.

REFERENCE

```
<?xml version="1.0" encoding="UTF-8"?>
<tt xml:lang="en" xmlns="http://www.w3.org/ns/ttml" _>
<head>
  <styling>
    <style xml:id="baseStyle" tts:color="white" tts:textAlign="center"/>
    <style xml:id="blackBackground" tts:backgroundColor="black" />
    <style XML:id="greenBackground" tts:backgroundColor="green" />
    <style xml:id="withLinePadding" ebutts:linePadding="0.5c" />
  </styling>
  <layout>
    <region xml:id="area1" tts:origin="5% 10%" tts:extent="90% 20%" tts:displayAlign="center"/>
    <region xml:id="area2" tts:origin="5% 10%" tts:extent="90% 20%" tts:displayAlign="center"/>
  </layout>
</head>
<body>
  <div style="baseStyle">
    <p region="area1" begin="00:00:05" end="00:00:12">
      <span style="greenBackground">NextGen Television<br/>without padding.</span>
    </p>
    <p region="area2" style="withLinePadding" begin="00:00:05" end="00:00:12">
      <span style="blackBackground">NextGen Television<br/>with padding.</span>
    </p>
  </div>
</body>
</tt>
```

Sample IMSC1 XML Document

Also, when the source of IMSC1 captioning information is a translation from CTA-708 (for these purposes all references to CTA-708 are CTA 608 carried within CTA-708 with compatibility bytes), the conversion into IMSC1 should follow the recommendations of SMPTE RP2052-11 within the IMSC1 XML text "document".

BASE64 is generally designated and used to represent this data, so the text-only "document" can be included within the IMSC1 ISO BMFF wrapper. This methodology is often called "tunneling" because the attributes and digital form of the legacy code is fully retained.

This method can be used with or without a converted IMSC1 XML version of original closed captioning source. If it is used with, it is suggested breaking the tunneled BASE64 code into "blobs" over the length of the IMSC1 converted document in order to facilitate synchronization, fragmentation, random access and live broadcast requirements.

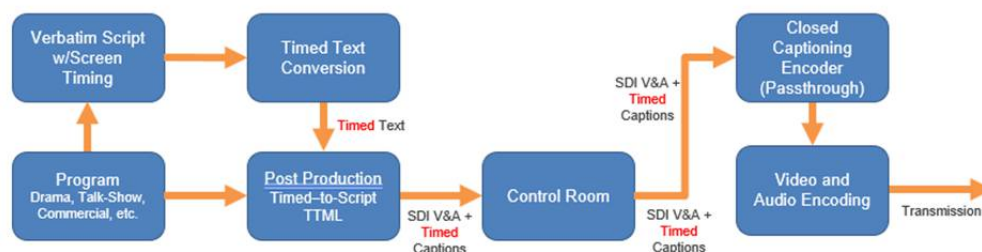
REFERENCE

WORKFLOW

There are three possible major closed captioning workflows likely to be used in broadcast television. The first is the direct conversion of legacy CTA 608/708 digital captions to IMSC1 Timed Text. To provide more options for downstream processing, they would be improved by having the original CTA-708 information available within IMSC1 document by “tunneling” that data as described earlier following the recommendations of SMPTE RP2052-11.

CEA-608/708 captions do not define an intrinsic “presentation time”, but instead rely on the frame delivery time of the caption packets. In order to map CTA-708 data to IMSC1, the concept of “significant moments” is used, which are the times at which the CTA-708 display changes. An example of an event which causes a significant moment in CEA-708 would be the DisplayWindows command. The delivery time of this command would need to be converted to a begin attribute value on the respective IMSC1 elements. The text on display as a result of the command being executed would be converted into the contained IMSC1. Despite this time of display requirement, many of the other display attributes held within CTA-608/708 can be retained or even enhanced.

The next workflow likely to be encountered is when the content comes from a pre-recorded and/or post-produced scripted source. In that circumstance a Timed Text file converted from the verbatim script coupled with the time of the dialog contained in the captioning can be directly converted to IMSC1 along with the attributes required by the production. Caption ISO BMFF segments should be relatively short in duration. This is needed to allow decoders to join an in-progress broadcast and acquire and present caption content concurrent with AV program content. The time for acquisition and presentation of captions (if present at that moment) should be on the order of the time for acquisition and presentation of video and audio. The IMSC1 document duration therefore typically varies from ½ to 3 seconds. Longer IMSC1 documents, while being more efficient, could result in objectionable delays to the first presentation of caption content. A diagram showing that workflow is shown below.

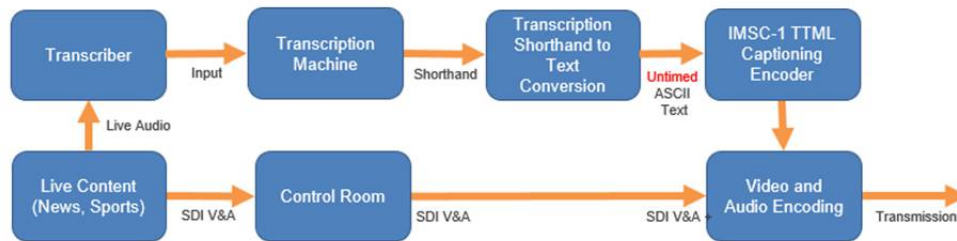


Preproduced Content Closed Captioning Workflow

REFERENCE

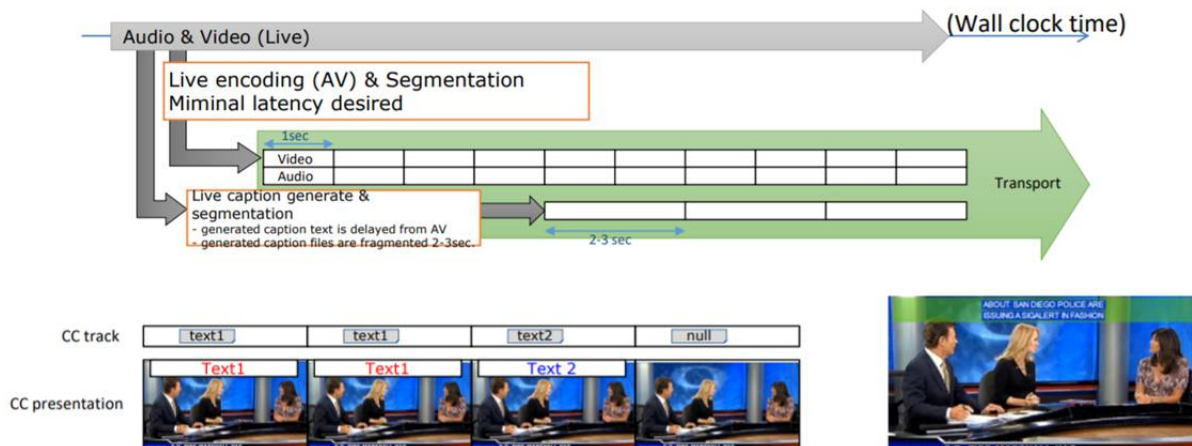
Lastly, there is the circumstance in which live content, i.e., content that is authored in real time without prediction of the future layout. Essentially, the content should be displayed immediately when it arrives at the decoder keeping in mind the best attribute and display practices as indicated in the ATSC -3 Standard A/343. Special care should be taken to ensure that when an IMSC1 content element's end time is coincident with the ISO BMFF sample boundary, any such content elements shall be repeated in the following sample's first Intermediate Synchronic Document. This is needed for the decoder to observe the "scroll event" to properly manage smooth scrolling. Without this, the decoder would "jump scroll"

The "live presentation" workflow is indicated in the diagram below:



Live Presentation Closed Captioning Workflow

The best practice in "live presentations" is to have one ISO BMFF segment of equal length of the video and audio segment lengths. This graphic from ATSC A/343 makes this concept easier to understand:



Best Practice Live Presentation Closed Captioning

REFERENCE

There are more on use cases, decoder behavior as well as special considerations in Annex A of ATSC A/343 and should be reviewed for a better understanding of IMSC1.

This section was meant to provide only a simple explanation of how IMSC1 works. A full explanation of all the semantics, syntax, form, attributes, and tags required is available in many online references such as in <https://www.w3.org/TR/ttml-ismc1/>

Other resources regarding development and validation of CTA-608/708 to IMSC1 conversion in a DASH transport environment can be found at:

- DASH-IF DASH Validator <https://conformance.dashif.org/>
- Sandflow IMSC1 Validator <https://apps.sandflow.com/ismcV/>
- Sandflow IMSC1 Renderer http://sandflow.com/ismc1_1/index.html
- Sandflow IMSC1 Text Profile Hypothetical Render Model <https://hrm.sandflow.com/>
- Sandflow 608 (SCC) <-> IMSC1 Translator <http://ttconv.sandflow.com/>

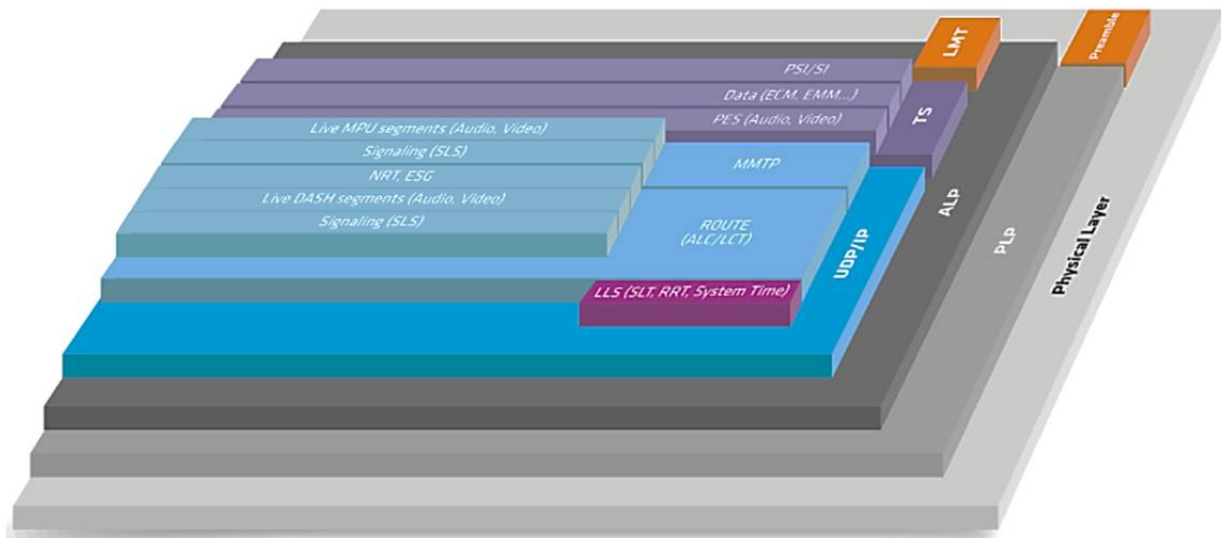
Signaling

BACKGROUND

One of the more critical functions within the NEXTGEN TV system is its use of service signaling to aid the receiver to help find the signal (including channel estimation), identify what services are present and determine the parameters the receiver requires to decode as well as present the available services. Signaling does all this along with many other important tasks that benefit the system's capability and viewer experience.

Signaling is a critical feature of the NEXTGEN TV system, being fundamental to its capabilities. Without the ability for the NEXTGEN TV signal to provide this information to the receiver, the receiver would require far more sophisticated capabilities to discover the basic RF signal as well as find and decode each individual service. Without signaling, the receiver would be required to present to the viewer a series of options about which of the many services found in the RF signal are they interested in viewing. These alternatives are clearly impractical. Therefore, the signaling tables are provided within the NEXTGEN TV signal to simplify receiver design, enhance channel and service content discovery to improve the viewer experience.

The NEXTGEN TV signal is provided with these signaling tables that found within the different abstraction layers as seen below. They are present in many of the layers of the NEXTGEN TV signal.



Signaling in the Abstraction Layer Context

Courtesy Enensys

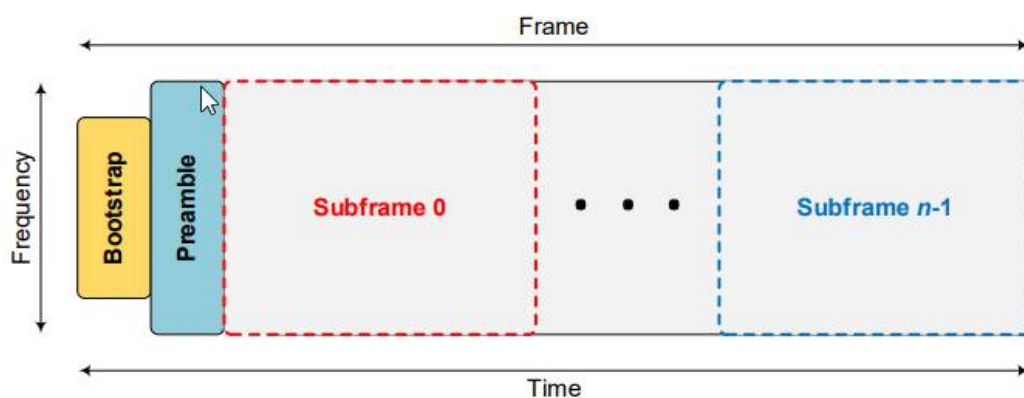
REFERENCE

Additionally, these tables do a whole series of additional tasks. They provide details of the component streams that make up an A/V presentation and provide information critical for content security as well as system time which is critical for audio and video synchronized playback. They also include the content advisory ratings to inform the viewer if the content is appropriate for the intended audience. In addition, signaling provides emergency notifications, as well as information about the broadcaster application loading and so much more.

BOOTSTRAP

The Bootstrap is a signaling table of sorts because at its very basic level it provides channel frequency offset estimation, system bandwidth, emergency alert wake-up information, and important data on physical frame versioning. Also, it provides the minimum time to the next sub-frame of the same major and minor version of the Physical Layer and information required to decode the Preamble.

Below is a graphic from the ATSC-3 A/331 Signaling, Delivery, Synchronization, and Error Protection document that is often used to depict the Bootstrap signal used in NEXTGEN TV. While the channel bandwidth in North America is 6 MHz, the bandwidth of the Bootstrap is only 4.5 MHz. This provides major components that contribute to this signal's robust nature. First, the modulation and coding required is rugged. Also, since it is only 4.5 MHz in bandwidth, more transmitter energy can be provided to this signal. As well, because Preamble carriers are 750 kHz removed above and below the channel edge (if there is no frequency offset) there will be a reduction in adjacent channel interference. All these factors improve the robust nature of this critical signal.

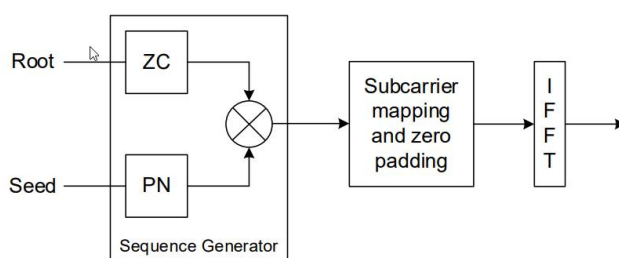


Simple Bootstrap, Preamble and Frame Structure

The Bootstrap consists of four COFDM symbols in a single Physical Layer versioned system at a total length of 500 μ /secs. The Bootstrap begins with a synchronization symbol positioned at the

REFERENCE

start of each Bootstrap period to enable signal discovery. The first information signaled is the version of the ATSC 3.0 Physical Layer standard. The version will be signaled in the values used for all bootstrap symbols in the frequency domain with a mathematically-based Zadoff-Chu sequence and by a pseudo-noise (PN) sequence. The Zadoff-Chu root and PN seed shall signal the major and minor versions of the bootstrap, respectively. Major version changes will have a different Zadoff-Chu root while minor versions will have a different PN seed. The sequence and seed are added to modulate in the frequency domain the symbols as seen in the diagram below from the ATSC A/331 Signaling, Delivery, Synchronization, and Error Protection document.



Physical Layer Signaling Using Zadoff-Chu Root and PN Seed from A/331

The second bootstrap symbol carries the first Emergency Alert Service (EAS) wake up bit, system bandwidth (6, 7, 8 and >8 MHz options) fragment, and the time element to the next frame of the indicated PHY version (i.e., with the same major and minor version numbers, with a range of 50 μ s to 5.7 s).

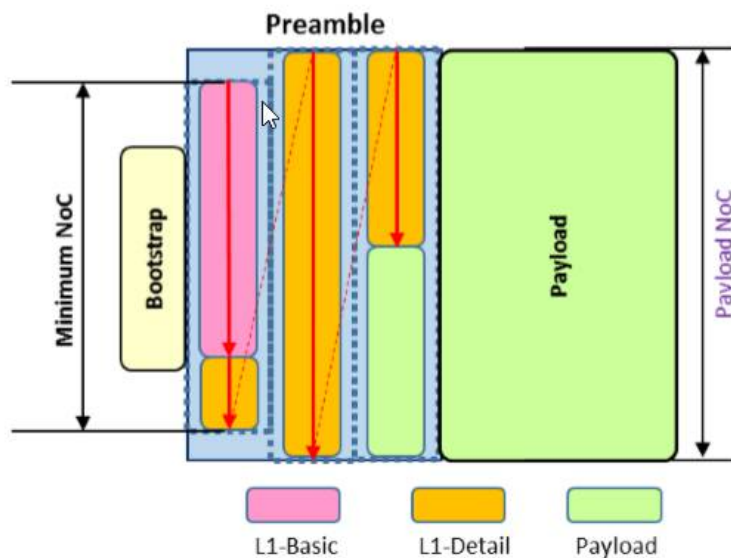
The third bootstrap symbol carries the second Emergency Alert Service (EAS) wake up bit as well as the sampling rate used in the current frame, that follows the equation: $(N + 16) \times 0.384$ MHz. N is the signaled value and shall be where N can take values of 0 to 80, inclusive. The value of N for a 6MHz channels in North America is 18.

The fourth bootstrap symbol signals the parameters required to start demodulation and decoding of the Preamble Layer 1 Basic Signaling.

PREAMBLE

The Preamble (Layer 1 Signaling) occurs once every Physical Layer frame and begins immediately after the end of the Bootstrap and before the payload. It also should be considered as a signaling table because it provides the receiver with the information it will need to demodulate and decode the Physical Layer frames and sub-frames. The Preamble is made up of two sections. The section named L1 Basic signals all the information required to demodulate and decode the section of the preamble known as L1 Detail as shown in the diagram below.

REFERENCE



Preamble Detail

L(AYER)1 - BASIC

The L1-Basic, which is confined to the first Preamble symbol, carries a fixed number of 200 signaling bits that are used to indicate the modulation and coding parameters of the L1-Detail portion of the Layer 1 signaling. It includes whether an LLS (Link Layer Signaling) can be found in the PLP frame or subframe. It also signals if timing information is available in this frame as well as what is its precision. As well, it indicates if there is a Dedicated Return Channel as well as any PAPR measures being employed in transmission. Additionally, it signals the receiver as to whether the Physical Layer is time or symbol aligned. It gives the frame length in time aligned mode (from 50 ms to 5 sec). In the time aligned mode there may be excess samples in the symbol of the frame does not align with the sample periods. The amount of the excess samples is signaled here. There is a procedure described in the standard for dealing with these excess samples. In the symbol aligned mode the L1 Basic indicates the number of samples between a nearest symbol to a millisecond boundary as well as how many samples must be added to the end of a Physical frame to match a sampling clock alignment. The L1 Basic also signals if the L1 detail has been modified as well as the length of the L1 Detail in bytes (400 ~ 6312). The forward Error Correction used in the L1 Detail is also indicated. If subframes are utilized, the coding parameters are provided for the first subframe as well in L1 Basic to facilitate receiver lock.

REFERENCE

L(AYER)1 - DETAIL

The L1 Detail carries a larger number of signaling bits that vary between 400 and about 6312 that convey configuration parameters in a table. This table provides system time based in PTP to the nanosecond from the beginning of first sample of the first symbol in last Bootstrap as well as all the various PLP modulation coding and multiplexing parameters of the frame or sub-frames that follow.

LLS – LOW LEVEL SIGNALING

The LLS contains a series of tables that support rapid RF channel scanning and service acquisition by the receiver. It accomplishes this through its Service List Table (SLT) which in turn points to the Service Layer Signaling Table (SLS) which in turn provides information for discovery and acquisition of ATSC 3.0 services and their content components. LLS is transported in IP packets with required fixed IP address 224.0.23.60 and destination port 4937/UDP. The complete LLS is made up of these tables:

- SLT – Service List Table
- RRT - Rating Region Table
- SystemTime
- AEAT- Advanced Emergency Alerting Table
- OnscreenMessageNotification
- SMT – SignedMultiTable
- CDT – Certificate Data Table

The LLS must be transported in IP packets with address 224.0.23.60 and destination port 4937/udp. All IP packets other than LLS IP packets must carry a destination IP address that is either allocated and reserved destination addresses in use are unique in a geographic region or in the range of 239.255.0.0 to 239.255.255.255, where the bits in the third octet shall correspond to a value of the service's major channel number with some caveats. Those caveats involve unique corner cases and ATSC A/331 Signaling, Delivery, Synchronization, and Error Protection should be consulted before assigning these IP addresses.

SLT – SERVICE LIST TABLE

The Service List Table provides signaling information which is used to build a basic service listing and provide bootstrap discovery of SLS - Service List Table. The SLT identifies the Broadcast Stream ID (BSID) of the service. It provides the URL for the Electronic Service Guide (ESG) for the service for use by the receiver. It tells the receiver if one or more components of the service are service content protected (encrypted). It provides the major and minor (channel) number of the service. It identifies the service category (linear A/V, audio only etc.). It gives the short name of the

REFERENCE

service (as in call letters). It allows for the service to be hidden (as in for testing). It indicates if broadband is needed to provide the full service (as in video from OTA and audio via broadband). It includes the data required for content security control. It indicates if this same service is carried as an ATSC-1. It also indicates what the TSID and major and minor numbers are for that service. Most importantly it provides the IP address and port number for the service layer Signaling (SLS). A ROUTE Extended FDT element contained within the SLT is required since the SLS is contained in a ROUTE session. In the case of use of MMTP transport, the following MMTP messages will be delivered by the MMTP session signaled by the SLT in the form of MMT Package Table (MPT) found in the SLS. The MPT contains the list of all assets and their location information. MMT ATSC3 Table (MA3). Table carries system metadata specific for ATSC 3.0 services including Service Layer Signaling Media Presentation Information (MPI) Table. This table contains the whole document or a subset of a document of presentation information.

RRT – RATING REGION TABLE

This table is similar in concept to the Rating Region Table found in the ATSC A/65 which is the ATSC-1 PSIP standard. It identifies the rating region described in a human-readable string as in, “Canada” or “US”. It indicates whether the rating dimension is defined on a “graduated scale” as well as the number of levels for content advisory in this dimension. There is also a human-readable string describing the rating value for this service (as in “TV-G (E/I)”).

SYSTEMTIME

The SystemTime table provides the current time with offset in whole seconds between TAI (International Atomic Time) and UTC (Coordinated Universal Time). This unsigned integer shall indicate, when present, the upper 16 bits of the 48-bit count of PTP seconds. PTP Seconds refers to the seconds portion of the time distributed by the PTP timescale and as noted is referenced to 1 January 1970 TAI (International Atomic Time). This table also indicates if Daylight Saving Time is in effect. Also, it indicates the local day of the month and hour of the day on which the transition into or out of daylight-saving time is to occur.

AEAT – ADVANCED EMERGENCY ALERTING TABLE

The AEAT is an important and complex table contained within the LLS. The AEAT is composed of one or more AEA messages. An AEA message is formatted in the Advanced Emergency Alerting-Message Format (AEA-MF) structure. AEA-MF is a specific data format for forwarding a broad range of emergency-related information, including urgent bulletins, advisories, all-hazard warnings and other urgent information via NEXTGEN TV. AEA-MF includes capabilities for the inclusion of multimedia content that could be forwarded from the alert originator (as in a public authority) or the broadcaster (such as ancillary content the broadcaster may want to forward to

REFERENCE

accompany the emergency alert). The timing, versioning and language of the alerts is also signaled. The AEAT is an XML document. The AEAT can contain one or more AEA messages. The AEA message is composed of four basic elements. It can contain an optional Header (name, timing, language, location etc.), optional AEAtext (Text of message), optional LiveMedia (BSID and ServiceID associated with alert), and/or optional Media (URLs for optional media content) for alert multimedia resources in accordance with the table's schema, syntax and semantics.

ONSCREENMESSAGENOTIFICATION

This table contains broadcaster and service information for on-screen display of important text/visual information, including emergency-related, information that has been rendered by broadcasters for their video services. The table provides information to the receiver regarding whether to keep the screen clear for the service(s) during on-screen rendering of important text/visual information. There are rules available as well to keep all services or just some services with a clear screen. It can provide the BSID of the broadcast stream as well as the service(s) associated with the on-screen message. Also, the period the on-screen message will remain in effect is also assignable. Versioning identification of the message is also provided.

SMT – SIGNED MULTI -TABLE

This table contains a list of all the LLS tables (except for the CDT), their version, length (in bytes), security signature (as provided for in ATSC A/360) and signature length.

CDT – CERTIFICATION DATA TABLE

This LLS Table carries X.509 Certificates and OCSP Responses that are used to verify signed signaling tables. When one or more signaling tables are signed, it is included as one of the LLS Tables. The Certification Data Table is a standalone table that contains its own signature (but not in the Signed Multi-Table - SMT). The signature of the CDT is not included as the content of the CDT Table is required to verify the signature of a SMT. The CDT defines the duration for which an OCSPResponse is considered valid from its created time. It also provides a list of certificates that are used to authenticate a broadcaster signature. This must include end-entity certificates authenticating the CurrentCert and the CMSSignedData signing certificate and any intermediate CA (Certificate Authority) certificates used to validate these certificates. The Root CA certificate is not included in the list. The CDT also includes the identity of the certificate currently used to sign signaling messages. It provides the earliest time at which the next certificate can be used. It provides the key Identifier for the certificate next used to sign signaling messages. Also included is a CMS (Cryptographic Message Syntax) Signed Data structure authenticating the data contained in this table. Additionally, status information for each of the certificates is provided.

REFERENCE

SLS – SERVICE LAYER SIGNALING

For service delivery using ROUTE, the various SLS tables for each service describes characteristics of the service, such as a list of its components and where to acquire them, the receiver capabilities required to present the service as well as the associated rules regarding access to file repair services by receivers. In ROUTE delivery of a DASH formatted streaming service, the SLS includes the User Service Bundle Description (USBD), the S-TSID and the DASH Media Presentation Description (MPD) and may include the HTML Entry pages Location Description (HELD), the Distribution Window Description (DWD) and the Regional Service Availability Table (RSAT).

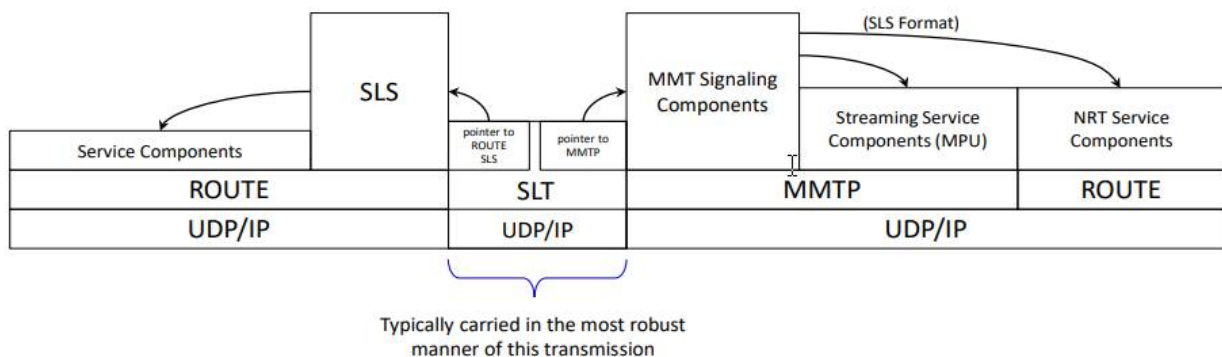
In ROUTE delivery of data services (e.g., the ESG Service, the EAS or the DRM Data Service), app-based services or app-based feature in linear services, the SLS includes the USBD and the S-TSID and may include the MPD, HELD, DWD and the RSAT. The USBD and APD are based on the identically named (i.e. User Service Bundle Description and Associated Procedure Description) service description metadata fragments as defined in Multimedia Broadcast Multicast Services (MBMS) a 3GPP specification, with unique extensions that support ATSC 3.0 requirements.

For MMTP, the SLS entries for each MPU-formatted streaming service describes characteristics of the service. Included are a list of its components and where to acquire them, and the receiver capabilities required to present of the service. In the MMTP system, the SLS shall include the USBD fragment, the MMT Package (MP) table, and may include the HELD, and the DWD. For hybrid delivery, the MMTP-specific SLS shall include the MPD for broadband components.

The Service Layer Signaling focuses on basic attributes of the service itself, especially those attributes needed to acquire the service. Properties of the service and programming that are intended for viewers appear as Service Announcement, or ESG data. Having separate Service Signaling for each service permits a receiver to acquire the appropriate SLS for a service of interest without the need to parse the entire SLS carried within a NEXTGEN TV broadcast stream. For optional broadband delivery of Service Signaling, the SLT will carry HTTP URLs where those Service Signaling files can be obtained.

For ROUTE/DASH services delivered over broadcast, the SLS is carried by ROUTE/UDP/IP in one of the LCT transport channels comprising a ROUTE session, at a suitable carousel rate to support fast channel join and switching. For MMTP streaming delivered over broadcast, the SLS is carried by MMTP Signaling Messages, at a suitable carousel rate to support fast channel join and switching. In broadband delivery, the SLS is carried over HTTP(S)/TCP/IP.

REFERENCE



Bootstrapping the SLS and Service Components from the SLT

For ROUTE/DASH, the SLS describes characteristics of the service, such as a list of its components and where to acquire them, the receiver capabilities required to present the service, as well as the availability and associated rules regarding access to file repair services by receivers. For ROUTE/DASH system, the SLS includes these table/fragments:

- User Service Bundle Description (USBD),
- Service-based Transport Session Instance Description (S-TSID)
- Associated Procedure Description (APD),
- Media Presentation Description (MPD)
- HTML Entry pages Location Description (HELD)
- Distribution Window Description (DWD)

The USBD and APD are based on the identically named description fragments as defined in MBMS with extensions that support the NEXTGEN TV requirements.

For the MMTP system, the SLS only includes the:

- User Service Bundle Description (USBD)
- MMT Package (MP)
- HTML Entry pages Location Description (HELD)
- Distribution Window Description (DWD)
- Certification Data Table (CDT)
- MP – MMT Package Table (MP)
- MA3 – MMT ATSC-3 Message (MA3)
- MPI – Media Presentation Information (MPI)

For hybrid delivery, the MMTP-specific SLS can further include the MPD for broadband components which are always deliver in a Route session.

REFERENCE

USBD – USER SERVICE BUNDLE DESCRIPTION

The USBD describes basic properties of the service such as its identifier, status, name, associated language(s) and delivery method (broadcast or broadband). It includes the source and destination IP address and port for the associated ROUTE session. It also provides the associated LCT channels. It also provides information about the associated LCT channels that will carry either real-time content (DASH Media Segments and Initialization Segments) or non-real-time (locally cached) content, but not both.

For Service delivery using MMTP, the USBD references the MMT's, MP Table that provides identification of Package ID and location information for assets belonging to the Service.

S-TSID – SERVICE-BASED TRANSPORT SESSION INSTANCE DESCRIPTION

The S-TSID is an SLS fragment that contains the transport session description information for the ROUTE sessions as well as their LCT channels in which the media content components of a NEXTGEN TV service are located. With broadcast delivery of DASH formatted content, the ROUTE session can be considered as the multiplex of individual LCT channels that carry constituent media components of one or more DASH Media Presentations. Within each transport session (LCT channel), one or more objects are carried (typically with objects that are related), as in DASH segments associated to one stream. Along with each object, metadata properties are delivered such that the objects can be used in application services as with DASH Media Presentations, HTML-5 content, or any other object-consuming application. The S-TSID includes metadata for the delivery object or object flow carried in the LCT channels of the Service, as well as additional information on the payload formats and content components carried in those LCT channels. A child element of the S-TSID fragment is the srcflow (source flow) element which describes through Source Protocol all the details of that ROUTE session through its associated EFDT element. The srcflow establishes one or more source flows within a ROUTE session, each of which delivers related objects as an object flow. Each object is recovered individually. Each ROUTE session shall be associated with an IP address/port combination found in the srcflow. Each ROUTE session shall constitute one or more LCT channels. LCT channels are a subset of a ROUTE session. For media delivery, an LCT channel would typically carry a media component, for example a DASH Representation. A 32-bit value used as the Transport Session Identifier (TSI) is also provided which represents the identifier for this LCT channel that will be unique in all ROUTE sessions described in this S-TSID

APD – ASSOCIATED PROCEDURE DESCRIPTION

The APD is an SLS fragment that contains information for use in conjunction with content inside the Extended File Delivery Table (EFDT) parameter of the S-TSID fragment to govern the optional

REFERENCE

use by the receiver in HTTP file repair. If connected to broadband a file repair procedure corresponds to an HTTP request/response transaction whereby a receiver, if unable to acquire the entire object or file delivered by ROUTE, can request and obtain the missing data from a broadband-based file repair server. A timing attribute is provided that represents the time interval in seconds that the receiver shall wait, after the end of transmission for the file of interest has occurred, before it can start the file repair procedure. A random period attribute is also provided as a time window within which the receiver shall calculate a uniformly distributed random value. This value represents an additional wait time, after the initial, fixed delay period by the receiver, before it submits the file repair request. The purpose of this random delay is to help provide a statistically uniform distribution of file repair request traffic arriving at the file repair server from multiple receivers.

MPD – MEDIA PRESENTATION DESCRIPTION

The MPD fragment contains a description of a Media Presentation based in the DASH Interoperability Forum (DASH-IF) Interoperability Point for ATSC 3.0 Guidelines profile (DASH-IOP). The MPD describes various elements that make up a linear service of a given duration defined by the broadcaster (as in a single TV program, or the set of contiguous linear TV programs over a period). The presence of the Media Presentation Description (MPD) is generally only applicable with a service containing DASH-formatted content as in normal over-the-air broadcast-only delivery of ROUTE/DASH content. Said in another form, an MPD is not generally applicable in MMTP formatted services. However, in the context of a MMTP formatted session, an MPD will be required to describe any content delivered as NRT ROUTE delivered content, or via broadband, as in the case of a hybrid service, or to support service continuity as in handoff from broadcast to broadband due to broadcast signal degradation. As described in the DASH-IOP, contents of the MPD provide the resource identifiers for segments and the context for the identified resources within the Media Presentation as well as applicable (presentation) playout times based on wall clock time using any applicable offset. In actual operation one or more of the DASH representations conveyed in the MPD are carried over broadcast. The MPD may describe additional representations or portions of the service delivered over broadband as in alternative audio sources for example. Also, some elements are included in the MPD that provides information vital for the support of content security. The MPD is one of the most complex tables contained within the SLS and is critical for describing the proper presentation of a service. Describing all the options and semantics described within this description is not practical in this manual. It is suggested if more information is required, the reader should refer to A/331 Signaling, Delivery, Synchronization, and Error Protection as well as the DASH Interoperability Forum (DASH-IF) Interoperability Point for ATSC 3.0 Guidelines profile (DASH-IOP) <https://dashif.org/docs/DASH-IF-IOP-for-ATSC3-0-v1.1.pdf>

HELD – HTML ENTRY PAGES LOCATION DESCRIPTION

The HTML Entry pages Location Description (HELD) is an XML document containing a HELD root element. These root elements contain one or more HTML Entry Page elements called APPContextID. These APPContextIDs are used to deliver to the receiver a broadcaster application or content elements can be launched after the viewer's receiver application receives signaling information from the launch URL. The initial URL forwards that launch URL to the receiver's User Agent (this "browser" capability is referred to as a User Agent in NEXTGEN TV), which, in turn, loads the Application Entry Page. Once the main Application Entry Page has been loaded, it may begin requesting content from various local or external URLs. This may be done through JavaScript or standard HTML5 requests in a W3C-compliant fashion. The URL may be an Internet server or to the Receiver Web Server depending on how it is formatted in the service's application signaling.

The non-real-time file transmissions that contain the Broadcaster Application based in HTML, CSS, Javascript as well as alternatively ancillary digital data to be used in the application (such as media files) are provided in gzip compressed MIME Package in a ROUTE session. It is specifically carried within the broadcast service with appropriate addressing to be recognized and loaded by the receiver's user agent. These files will likely be transmitted repeatedly in a "carousel" manner

If a common broadcaster application framework is utilized and already loaded from a previous service, it would remain persistent, and the receiver would only need to load the application files unique to that services' broadcaster application. This is possible because the AppContextID would remain the same from service to service for the framework but would be unique for the individual broadcaster application.

Beyond the AppContextID the HELD indicates which LCT channels contain Broadcaster Application files and resources. It also contains attributes that indicate the presence of an associated linear service as well as a broadcaster's request that the broadcaster application via the application's media player be allowed to render the applications content on the service. Additionally, the broadcaster can request the receiver through an entry in the HELD to eliminate versions of the application that have date and time stamps earlier than the designated date content identified by certain AppContextIDs. Also, a specific date and time can be provided to run a specific application. A separate broadband or broadcast entry URL can be provided. The broadcaster can provide a "from" and "until" time and date for an application entry URL to be valid. The broadcaster can also designate on which services the application can only be rendered. Lastly, there is an entry in the HELD as to which LCT channels of other broadcast-delivered content or resources may be available to the application.

REFERENCE

DWD – DISTRIBUTION WINDOW DESCRIPTION

The Distribution Window Description provides a schedule of broadcast delivery of NRT files to the receiver targeted for use either directly by the receiver, or by broadcaster application. Broadcaster application content may pertain to app-based standard service, or constitute a standalone, app-based service. The DWD comprises one or more NRT content items or files that are scheduled to be delivered by ROUTE. The DWD may contain identifiers of applications to which these NRT files belong. It may include filter codes to enable selective download and caching of those files to support personalization, as well as specific files that will be transmitted during a given distribution time period window. Using the DWD information the receiver can then tune to the appropriate broadcast stream and LCT channel over which the NRT files are broadcast during the distribution window time period to download and store that content. These files can then be directed to the receiver, or a broadcaster application, and comprise any combination of an HTML5 entry page and/or other files such as JavaScript, CSS, XML and media files. The files may also serve other purposes, such as conveying content security message data. It might be desirable for a collection of NRT files to be broadcast during multiple distribution windows, to increase the likelihood of successful reception by a receiver having interest in those files, since the receiver may be unable to tune to the appropriate broadcast stream/LCT channel during any given distribution window instance. For example, a single-tuner receiver may be in active use and tuned to a different service during a given distribution window, but the receiver may not be in active use during a later instance of a distribution window that delivers the same content.

MP – MMT PACKAGE TABLE

This MMTP table carries an MP (MMT Package) table which contains the list of all the MMT service assets and their location information. The streaming content signaling component of the SLS for MPU components will correspond to the MP Table defined in 10.3.9 of ISO/IEC 23008-1 (MMTP standard). The MP table provides a list of MMT assets where each asset corresponds to a single service component and the description of the location information for this component. When an ATSC 3.0 Service contains more than one video asset, the value of the MP table shall indicate the default video as well as which are alternative video assets.

MA3 – MMT ATSC3 TABLE

With the use of MMTP, this table carries system metadata specific for ATSC 3.0 Services including Service Layer Signaling

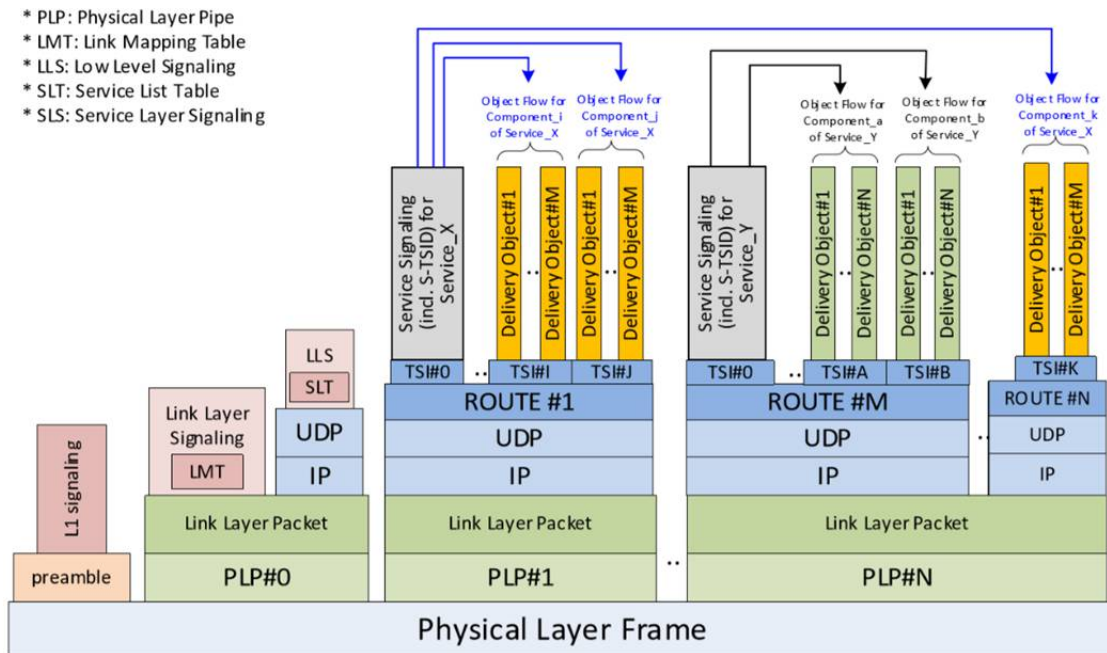
REFERENCE

MPI – MEDIA PRESENTATION INFORMATION

With the use of MMTP this message carries an MPI table which contains the whole document or a subset of a document of presentation information.

LMT – LINK MAPPING TABLE

The Link Mapping Table (LMT) describes how upper layer sessions are mapped. It does that by providing a list of multicasts carried within a PLP. The LMT also provides additional information needed for processing of the ALP packets carrying the multicasts in the link layer. The LMT only provides information on UDP/IPv4 multicasts. An LMT will be present in any PLP carrying an LLS, as indicated in the L1 Detail. Note that in the case where there are no multicasts referenced by LLS in a PLP, an LMT is still required to be present. Each instance of the LMT shall describe mappings between PLPs and IP addresses/ports for any IP address/port associated with any multicast referenced in the identified PLP carrying the LLS tables. However, the LMT does not describe mappings for the multicast that is associated with LLS, or specifically multicasts with destination address 224.0.23.60 and destination port 4397. Additionally, it is allowed for any LMT to describe mappings between PLPs and IP addresses/ports for any multicast, whether or not referenced in the PLP carrying the LLS tables.



Example of ROUTE Hierarchical Signaling Architecture from A/331

Configuration of Three Particularly Important Signaling Attributes

All the attributes found in the signaling found an ATSC-3 transmission are important. However, there are three particularly identifying signaling attributes in ATSC-3's signaling that require unique and consistent underlying identifying methodology throughout North America to ensure consistent identification of the NEXTGEN TV program service, broadcast stream and physical transmission.

GLOBALSERVICEID:

The globalServiceID is utilized in several ways within the ATSC-3 signaling including the Electronic Service Guide and Broadcaster Application. Most importantly it appears in the SLS. The ATSC-3 Standard requires the globalServiceID to be any globally unique URI or URL. However, a subsequent recommended practice suggested using the tag:URI method with a URI. Alternatively, it also suggests using a URL that calls a universal and unique EIDR (Entertainment Identification Registry) identifier system for movie and television assets. The EIDR Registry is built on industry standard Digital Object Identifier (DOI) technology that is flexible and extensible to meet the evolving needs of the industry. EIDR provides global unique identifiers for the entire range of audiovisual object types that are relevant to both commercial and non-commercial works. The URL pattern suggested is <https://doi.org/xx.xxxx/xxxx-xxxx> where the x's identify the broadcaster's Service EIDR code.

It suggested the EIDR methodology be required in North America.

BSID OR BROADCAST STREAM IDENTIFIER:

The BSID is an abstraction that defines the contents that will be carried on one or more channel (as in the use of a translator or satellite transmission) as a Broadcast Stream or alternatively in other physical transmissions as might be required with a Single Frequency Network. The standard requires that the value of the BSID shall be unique on a regional level (for example, North America). The standard also recognizes that an administrative or regulatory authority may play a role in assuring the uniqueness of this value. It is based in a 16-bit unsigned integer (in the range of 0x0000 to 0xFFFF) which provides for a possible 65,536 assignments, only a fraction of which would be used in the United States.

For a BSID used within ATSC 3 transmissions in North America and South Korea, the value of BSID (also, L1D_bsid in the Preamble) should be set to the value of NTSC TSID (ed. Transmission Signal Identifier), as assigned/registered with country registration authorities as follows:

REFERENCE

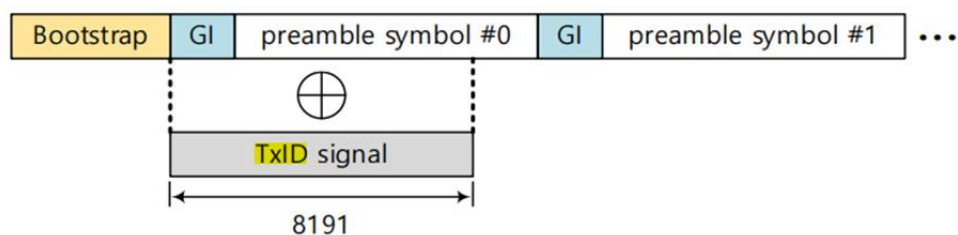
- Canada registration authority: Government of Canada
- Mexico registration authority: Instituto Federal de Telecomunicaciones
- United States registration authority: Federal Communications Commission
- South Korea registration authority: Ministry of Science and ICT

TXID OR TRANSMITTER IDENTIFICATION

The TXid is an optional identification capability that may be used by the broadcaster in the ATSC-3 Physical Layer transmission to identify individual transmissions for testing or differentiation purposes. For example, in a Single Frequency Network the TXid may be used to identify otherwise identical transmissions from each other.

The TXid is an optional identification capability that may be used by the broadcaster in the ATSC-3 Physical Layer transmission to identify individual transmissions for testing or differentiation purposes. For example, the TXid may be utilized in the implementation of a Single Frequency Network well as in common and adjacent hand-offs of a services (as in satellite or translators). In these cases, they would be used to identify otherwise identical transmissions from each other.

Its technical details are provided within A/322:2021, “Physical Layer Protocol”, approved 20 January 2021. In short, the technology utilized is a semi-cloaked, reduced injection level signal that appears simultaneously or contemporaneously with the transmission of the first Preamble symbol and will appear to a receiver not requiring the use of the TXid as additional noise. The TXid may be repeated multiple times as a sequence “under” the first Preamble symbol depending on the FFT parameter utilized. It is based in a 13-bit unique code meaning there are 8192 possible numbers that may be used in this identification system.



The standard indicates the values used should be unique within the widest geographic region possible. No authority or methodology for assigning or registering these identifying codes has been suggested by the ATSC-3 standard.

REFERENCE

There is a need of a registry authority for this identification system to be created and managed by the broadcasting industry to ensure regionally unique identification numbers are provided and tracked.

In conclusion, individual Services are identified by a globalServiceID. Unique originating Broadcast Streams (regardless of number of Services) are identified by a BSID. Individual transmissions (regardless of common BSID) are individually identified optionally by a TXid.

Typical Signaling Table Transmission Intervals

The timing of the carousel of many of the signaling tables has certain recommendations. There is a bit of art to it. It can impact for example channel and service acquisition change time. The recommended carousel times and conditions are noted below.

- SLT/SMT - 1 second
- CDT - 1 second
- AEAT - 1 second
- SystemTime - 5 seconds

For A/V, the SLS should be transmitted prior to the relevant video segment. For AEA NRT & ESG, the SLS should be transmitted approximately every second.

That phrase is easy to state, but in practice the uniquely flexible and extensible ATSC-3 standard is often frustratingly complex particularly in this specific area. The standards that explain how much of this signaling works is found in ATSC A/331:2021, Signaling, Delivery, Synchronization, and Error Protection as well as in A/351:2021, Techniques for Signaling, Delivery, and Synchronization.

The explanations found in these standard's documents can be very frustrating in understanding the overall goal because they constantly reference other standards not included in these documents and are written in a format that assumes the reader already understands how signaling will be used by the receiver. Although understanding how the receiver uses these important tables, fragments and attributes may seem to be an academic exercise, it instead is the very core of why ATSC-3 is one of the most sophisticated and flexible systems that could be available to the broadcaster.

The following explanation is not meant to be all inclusive but rather provide to the reader a better understanding of why the signaling is so complex and possibly even redundant in many places. It can also be frustratingly complex but hopefully the explanations provided will help in that regard.

NEXTGEN TV is based in the OSI 7-layer model. The first layer in NEXTGEN TV is the Physical Layer (COFDM in the over the air case) and HEVC video and AC-4 audio in North America is the top, through the Application and Presentation layers. Each layer can carry many services, service types and component streams.

The receiver understands or can locate each of these services, service types and streams is what signaling accomplishes.

NEXTGEN TV Encoding and Transmission Flow

ENCODING

The studio end of the transmission chain starts at the Application Layer by conditioning the incoming media streams to be encoded. Likely, the input streams will be a version of the ATSC-1 transport stream, as SDI or IP representation. The video will be encoded in MPEG-2 or alternatively component SDI with embedded AC/3 audio. Depending on the manufacturer of encoder utilized, these streams may need to be converted to a form that is acceptable to the NEXTGEN TV encoder's input.

These streams will then need re-encoding to HEVC (H.265) in the case of video and Dolby AC/4 in the case of audio. The video might require (depending on the broadcaster's preference) conversion to a scan type of progressive or decimal framing (instead of fractional). Also, the Dolby AC/3 audio will be fully decoded into its components before reencoding to Dolby AC/4. These capabilities are often already built into the decoding system (prior to a decoder within the NEXTGEN TV encoding system).

The broadcaster can select Constant Bit Rate (CBR) or Variable Bit Rate (VBR) encoding if the encoder supports both modes. The use of VBR is best when a common Physical Layer Pipe or PLP is being used in the broadcast scheme. In that way Statistical Multiplex techniques can be used to reduce overall need for valuable bandwidth.

Moving to the Presentation and Session Layers the output of both the video and audio encoders is a Packager. If DASH is selected (the other possibility is MMT) then the Packager is required. The encoded streams are created and then segmented in the packager, placed in an ISO BMFF wrapper to be multiplexed with all the other data and signaling in the NEXTGEN TV telecast. Since these segments have broadcaster selected lengths, the segments must be stitched together in the proper order and time-of-play in decoding and display of the receiver. The Packager accomplishes the ordering and time of presentation with signaling inside a DASH Media Presentation Description (MPD) which is an XML table containing information about media segment content type, the related stream type as well as their relationships and information necessary by the DASH player to display the segments. Also, the presentation time of the service is included in the metadata.

Closed captioning as required by FCC rule will be carried in the NEXTGEN TV service also within an ISO BMFF wrapper using the IMSC1 protocol. There are two closed caption protocols within IMSC1 that are acceptable to the standard. One is by the captioning being carried within the IMSC1 XML protocol or alternatively, "tunneled" carriage of CTA 608/708 per SMPTE RP2052-11 (with additional provisions of ATSC A/343) as an element within the IMSC1 code.

REFERENCE

DASH PACKAGER

This section will describe the function of the DASH Packager and its component parts which are found generally within and provided as part of the NEXTGEN TV broadcast encoding system.

The media files are required to be Packaged or “wrapped” in NEXTGEN TV logical structures using MPEG DASH. DASH transport is utilized for several reasons. First, the system becomes more extensible meaning, that the encoding methodology used for creating the media can be exchanged without the delivery or transport system being materially impacted by that alteration. Also, HEVC is the NEXTGEN TV video encoding standard currently, but more efficient video codecs are likely yet to come. Wrapping that media stream in a “neutral” or agnostic structure isolates the specifics of an encoding format from the delivery structure. The same is true for all NEXTGEN TV components including audio with AC-4 and captions with IMSC1.

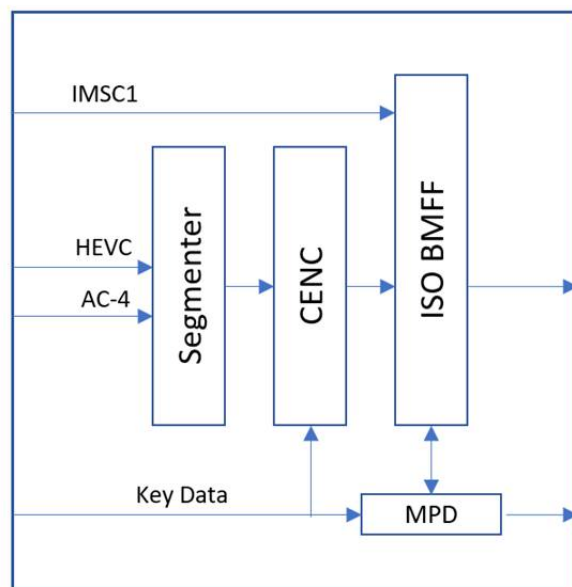
Next, the required ISO BMFF (ISO Base Media File Format, MPEG-3 Part 12) data structure or wrapper supports and makes use of short duration, segmented files or streams. This allows for efficient multiplexing required later amongst the video, audio, and captions as well as with other data structures that must be carried in the overall transport such as signaling tables and delivery of Non-Real-Time files. The media segments can be sequentially numbered, or time stamped for easy reconstruction within the receiver’s DASH player. The segments can easily be re-ordered even if they arrive out of order which is possible in hybrid broadcast/broadband delivery as an example.

The Packager also allows for easier content protection. The media stream can be encrypted and wrapped in the ISO BMFF container that has the associated metadata required to identify the stream’s contents, formats, and timing information in the clear (without encryption). This aids the receiver in decrypting the contents of the segment properly and reconstructing it for the receiver’s media player.

Additionally, as part of the DASH guideline, the Packager creates as a manifest or logical “bill of lading” of sorts of what has been Packaged and delivered to the receiver’s media player. This manifest is in the form of an XML signaling structure known as the MPD or Media Presentation Description. Its name describes its high-level function. The MPD tells the media player how to order the segments in the presentation timeline, the frame and scan rate of the media as well as any presentation options such as a different audio or caption language.

Below is a diagram of the major functionality of the DASH Packager which represents the ROUTE/DASH Transport case. The MMT Transport case would be similar except there is no MPD required; but the ISO BMFF segments could be identical to those encoded for ROUTE/DASH.

REFERENCE



Route/DASH Packager Logical Block Diagram

Segmenter

The Segmenter in a DASH Packager is used to segment the media (video, audio, and caption) tracks. It prepares these media tracks for possible encryption and ultimately multiplexes the audio, video, and caption tracks for placement within the physical transport. Although there is no limit on the duration of these segments, there may be a practical limit since the receiver media player must receive and buffer the whole segment period before it can play out the segment's contents. This may lead to a delay or latency in playback unless some form of sub-segmenting or "chunking" technique such as CMAF (Common Media Application Format, not yet supported in NEXTGEN TV) that allows the receiver media player to start the decoding and presentation before receiving the full segment. Also, the segment duration affects service acquisition timing – the longer the segment, the longer on average it will take to "tune" to a service even if it is in the same physical transport.

CENC – Common ENCRyption

The ISO Common Encryption ("CENC") provides content protection (encryption) for the ISO BMFF and is described below.

The CENC uses segmented content and is encrypted using AES-128. This protection method enables multiple different DRM (Digital Rights Management) Key Systems to decrypt the same media content.

REFERENCE

Each encryption key is identified by a key ID. In turn each encrypted sample is associated with the key ID of the key needed for the receiver to decrypt it. This association is signaled through an ISO BMFF “box” called the Protection System Specific Header (‘pssh’) which is also encoded in the associated MPD.

ISO BMFF - ISO Base Media File Format

DASH and by extension the ISO BMFF, was developed from the Apple QuickTime File format.

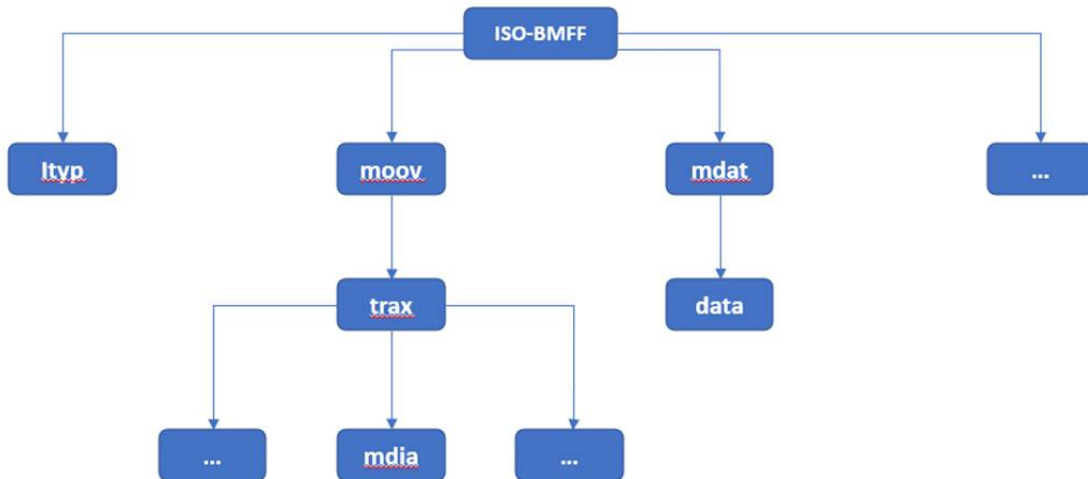
ISO BMFF supports a wide range of codecs. The most widely deployed codecs are AVC video and AAC audio; however, virtually all other common encoding streams are also supported. HEVC video and AC-4 audio codecs are becoming more common and are the current basis for NEXTGEN TV. In other words, the format is flexible and extensible, so it likely can be adapted as a segmented container for more advanced NEXTGEN TV codecs in the future.

ISO BMFF defines time-based presentation of multimedia files and content. ISO BMFF is a hierarchal structure made up of standardized “boxes” of content and metadata. The standard defines the boxes, by using classes and inheritance in an object-oriented approach. Using inheritance all boxes extend a base class box and can be made specific in their purpose by adding new class properties. This structure is not unlike the hierarchy found in displays of folders found in computer disk drive representations. Folders can exist inside of folders and they “inherit” the logical location of the folder they reside in. This is only a logical analogy and there will be more explanation below.

A box can also contain “child” boxes and thus form a tree of boxes. For example, the MovieBox (‘moov’) can have multiple TrackBoxes (‘trak’). A track in the context of ISO BMFF is a single media stream as in a video or audio stream. A ‘moov’ would contain a ‘trak’ box to locate the position of the video, audio, or captions inside the Media Data or ‘mdat’ box. Each track would be contained in a separate segment.

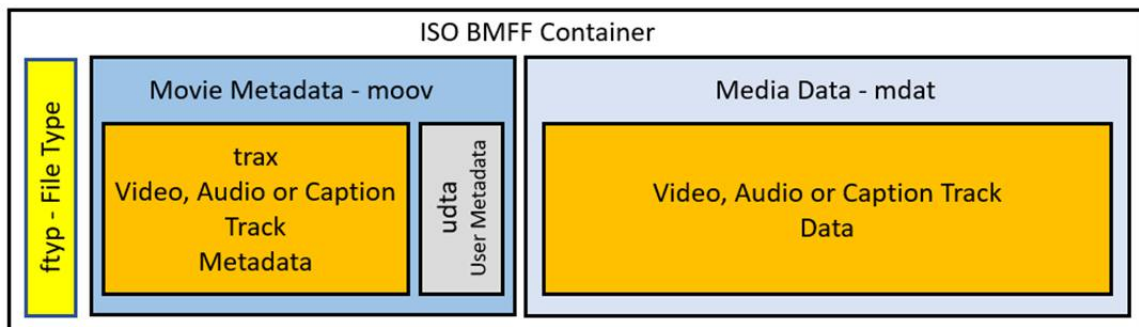
Please note the graphic below that indicates the logical structure of a typical ISO BMFF container, but not the physical container itself. There are many box logical structures available within the ISO BMFF specification, but we need to concern ourselves with just a few to understand the overall structure.

REFERENCE



ISO BMFF Logical Structure

Below is a physical representation of the ISO BMFF file container itself. Interestingly the ‘moov’ metadata structure can come before or after the ‘mdat’ media structure physical to accommodate the media player used. The ‘trak’ box contents point to the physical location in the container of the media content within the container.



ISO BMFF Container Structure (not to time scale)

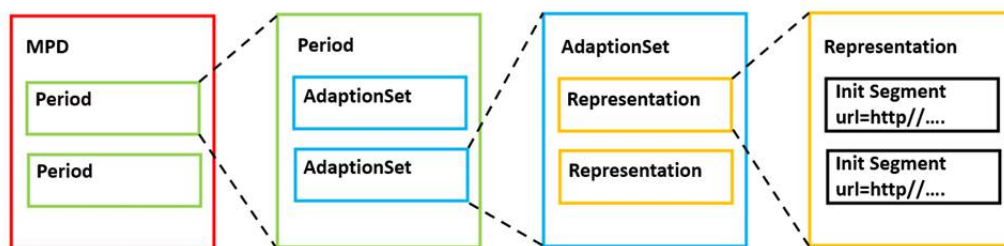
MPD - Media Presentation Description

A DASH Media Presentation Description (MPD) is an XML document which is part of NEXTGEN TVs Service Layer Signaling (SLS) that contains information about media segments. The MPD provides presentation information (presentation timing characteristics, segment URLs, media characteristics and alternative presentation options) to the receiver’s media player.

REFERENCE

DASH is media codec and transport agnostic. In NEXTGEN TV, DASH-IF (DASH Interoperability Forum) guidelines define a constrained version of the full MPEG-DASH standard guideline.

The MPD uses a hierarchical data model. Each MPD contains one or more Periods. Each of those Periods contain all the needed media components such as video or different audio components for different languages or with different types of metadata information, subtitle, or caption components as examples. A Period separates the content in time, such as in ad insertion. In illustration, if an advertisement is only available in high definition or stereo while the main content is available in 4K definition or surround sound, you would simply introduce an alternative Period for the ad which contains only the ad content in standard high definition. Below is a graphic that shows the MPD's XML hierarchy.



Logical Hierarchy of MPD

Typically, media components such as video, audio or captions are arranged in AdaptationSets. Each Period contains at least one AdaptationSet for every media track, e.g. one for video and one or more for audio and captions typically differentiated by language.

A Representation is a specific encoding of an AdaptationSet. This is primarily used in the Internet delivery for video to define several encodings that vary by bitrate. This allows the receiver to select a Representation (bitrate) that will give the best presentation that “adapts” to the current Internet bandwidth. For broadcast presentations, the use of more than one Representation per AdaptationSet is still being explored. AdaptationSets are chosen by the receiver’s DASH player based on the viewer’s preferences (as in their language or accessibility needs). This mechanism also allows the receiver media player to ignore a range of multimedia components that are not required in a presentation.

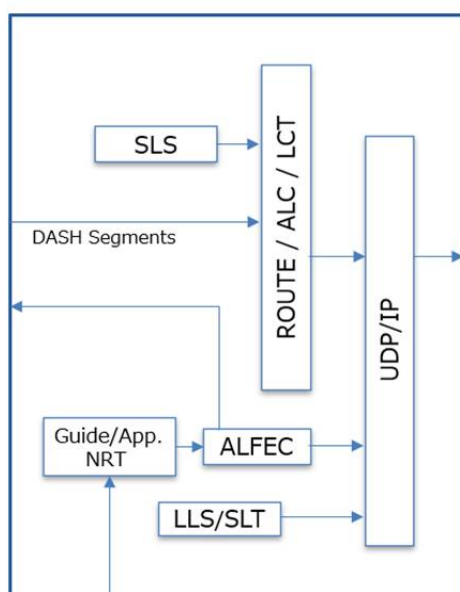
Contained within Representations are Media Segments. Media Segments are the actual media files the DASH receiver media player presents to the viewer, generally back-to-back as if they were the same file.

REFERENCE

ROUTE ENCAPSULATOR / SIGNALING/ NRT AND ANNOUNCEMENT GENERATOR

Below is a diagram of the major functionality of the Route Encapsulator/Signaling and Announcement Generator. We have now moved to the Transport Layer. Although the diagram shown below represents the Route Transport case, this device in many implementations can also convert the streams to the MMT Transport case. The ROUTE case is shown below.

This device also creates much of the signaling required by the overall system. This signaling is the heart of the NEXTGEN TV system.



Route Encapsulator/Signaling and Announcement Generator

Also, in this diagram you will see that the Packager supplied inputs (shown logically as separate) are present with the associated MPD. On service only is shown for simplicity, but there could be more or less dependent on what has been selected in terms of services. The streams at the input are multiplexed on a single IP stream.

Some of the specific items developed in this block. More detail regarding signaling is found elsewhere in this manual:

Low Level Signaling (LLS)

LLS is a multi-table with a pre-determined (fixed) and published IP address/port. The purpose of the LLS is for rapid channel scanning and bootstrapping of services acquisition by the receiver. The LLS contains amongst other tables, Service List Table (SLT), Rating Region Table

REFERENCE

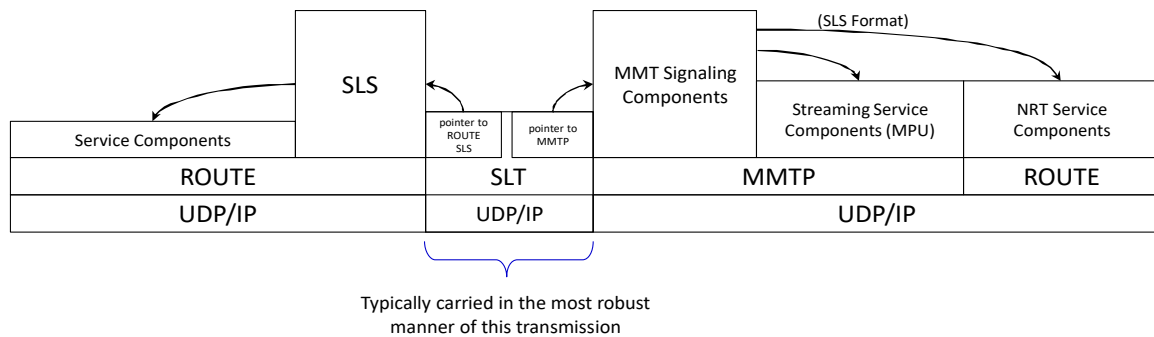
(RRT), System Time fragment, Advanced Emergency Alert Table (AEAT), and Onscreen Message Notification Table, SignedMultiTable (SMT), and Certificate Data Table (CDT).

Service List Table (SLT) (part of the LLS)

The Service List Table (SLT) within the Service Layer Signaling (SLS) explained below represent the information that is necessary to discover and acquire ATSC 3.0 services. The SLT enables the receiver to build a basic service list and bootstraps the discovery of the SLS for each ATSC 3.0 service by pointing to its IP location.

The SLT enable rapid acquisition of basic service information. The SLS in turn enables the receiver to discover and access ATSC 3.0 services and ultimately their content components.

The relationship between SLT and SLS for ROUTE Signaling (for ROUTE/DASH services) and the relationship between SLT and SLS for MMTP Signaling (for services using MMTP/MPU streaming) is shown below.



SLS Discovery via SLT Pointers

For ROUTE/DASH services delivered over broadcast, the SLS is carried by ROUTE/UDP/IP in one of the LCT transport channels comprising a ROUTE session, at a suitable carousel rate to support fast channel join and switching. For MMTP/MPU streaming delivered over broadcast, the SLS is carried by MMTP Signaling Messages, at a suitable carousel rate to support fast channel join and switching.

Service Layer Signaling (SLS)

The SLS is a series of tables and expressions which provide information for discovery and acquisition of ATSC 3.0 services and their content components and is pointed to (IP address) by the SLT contained in the LLS.

For service delivery using ROUTE, the SLS signaling tables describe the characteristics of the services, such as a list of its components and where to acquire them, the receiver capabilities

REFERENCE

required to make a meaningful presentation of the service, and the availability and associated rules regarding access to file repair services by receivers. In ROUTE delivery of a DASH formatted streaming service, the SLS includes the User Service Bundle Description (USBD), the Transport Session Instance Description S-TSID and the DASH Media Presentation Description (MPD), and may include the HTML Entry pages Location Description (HELD), the Distribution Window Description (DWD) and the Regional Service Availability Table (RSAT). In ROUTE delivery of data services (e.g., the ESG service, the EAS or the DRM Data service), App-based services or App-based enhancement in Linear services, the SLS shall include the USBD and the S-TSID and may include the MPD, the HELD, the DWD and the RSAT.

For MMTP, the SLS for each MPU-formatted streaming service describes characteristics of the service, such as a list of its components and where to acquire them, and the receiver capabilities required to make a meaningful presentation of the service. In the MMTP system, the SLS shall include the USBD fragment, the MMT Package (MP) table, and may include the HELD, and the DWD. For hybrid delivery, the MMTP-specific SLS shall include the MPD for broadband components

Service Signaling focuses on basic attributes of the service itself, especially those attributes needed to acquire the service.

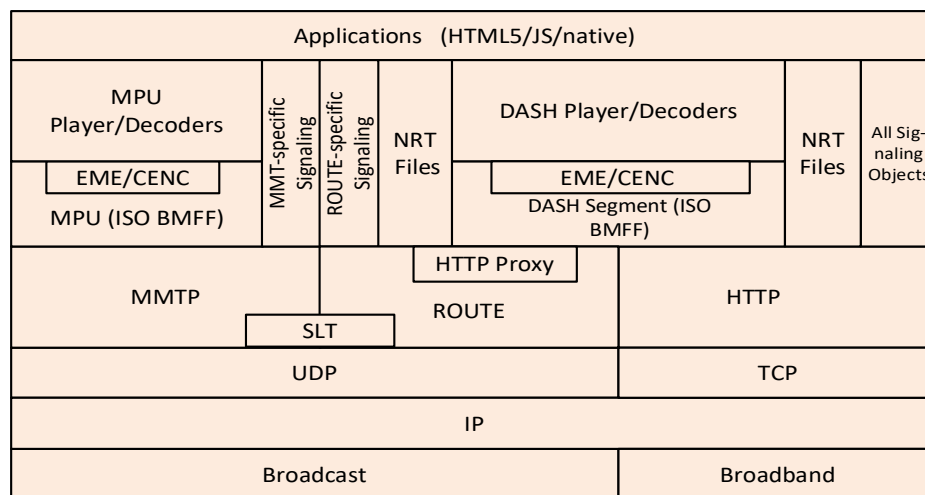
Broadcast Service Delivery and DASH/ ROUTE or MMT Transport Protocol

Two methods of broadcast service delivery are specified in the ATSC-3 standard. The method depicted on the left side of the graphic below is based on MPEG Media Transport (MMT), ISO/IEC 23008-1 and uses MMT protocol (MMTP) to deliver Media Processing Units (MPU). The method shown in the center is based on the DASH-IF (DASH Interoperability Forum) profile, which is based on MPEG DASH. It uses Real-time Object delivery over Unidirectional Transport (ROUTE) protocol to deliver the DASH Segments.

Also, by standard, ROUTE must be used with Non-Real Time (file based) content not intended for rendering in real time as it is received, for example,

- a downloaded application or app enhancement
- file containing Guide or EA information,
- DRM system client is also delivered by ROUTE.

REFERENCE



ATSC-3 Protocol Stack

To support hybrid service delivery in which one or more program elements, streams are delivered via the broadband path, the DASH content based in the ISO Base Media File Format (ISO BMFF) are used as the delivery, media encapsulation and synchronization format for both broadcast and broadband delivery. ROUTE transport is not used in broadband path but uses HTTP transport protocol instead.

Both transport protocols provide support for system features including:

- Real-time streaming of broadcast media.
- Efficient and robust delivery of file-based objects.
- Support for fast Service acquisition by receivers (fast channel change).
- Support for hybrid (broadcast/broadband) Services.
- Compatibility within the broadcast infrastructure with formats and delivery methods developed for (and in common use within) the Internet.
- Support for DRM, content encryption, and security.
- Support for Service definitions in which all components of the Service are delivered via the broadband path (note that acquisition of such Services still requires access to the signaling delivered in the broadcast).
- Signaling to support state-of-the-art audio and video codecs.
- Non-real-time delivery of media content.
- Non-multiplexed delivery of Service components.
- Appropriate linkage to application-layer features such as ESG and Interactive Content

REFERENCE

The definition and purpose of the ROUTE protocol is the reliable transport of delivery objects and associated metadata using LCT (Layered Coding Transport) identified packets and provide the following capabilities:

- Format of the LCT packets that carry the delivery objects.
- Reliable transport of the delivery object using a repair protocol based on FEC.
- Definition and carriage of object metadata along with the delivery objects to enable the interface between the delivery object cache and the application.
- The ROUTE session, LCT channel and delivery object description provided as service signaling to enable the reception of objects.
- The definition (formats, semantics) of the objects conveyed as a content manifest (MPD) to be delivered along with the objects to optimize the performance for specific applications, e.g., real-time delivery. The objects and manifest are made available to the application through a Delivery Object Cache.

Many more details as to how ROUTE/DASH works can be found in ATSC A/331 Signaling, Delivery, Synchronization and Error Protection.

MMT Transport Protocol

MMTP is an alternative transport protocol designed to deliver MPUs as specified in ISO/IEC 23008-1. MMTP provides several useful features for real-time streaming delivery of MPUs via a unidirectional delivery network such as:

- The media-aware packetization of MPUs
- The multiplexing of various media components into a single MMTP session
- The removal of jitter introduced by the delivery network at the receiver within the constraints set by the sender
- The management of the buffer fullness of the receiver by the server to avoid any buffer underflow or overflow and the fragmentation/aggregation of payload data
- The detection of missing packets during delivery

For MMTP/MPU services, streaming contents are encapsulated into MPUs and delivered by MMTP. An MPU is an ISO BMFF formatted file enables efficient streaming delivery of MPUs. For example, an MPU is self-contained, i.e. initialization information and metadata required to fully decode the media data in each MPU is carried in the MPU. In addition, each MPU contains a globally unique ID of media components called the Asset ID and a sequence number to enable unique identification of each MPU regardless of the delivery mechanism.

REFERENCE

Mapping Between an ATSC 3.0 Service and MMT Packages

Each content component is considered as an MMT Asset having a unique identifier. Each MMT Asset is a collection of one or more MPUs with the same Asset ID. MPUs associated with the same Asset ID do not overlap in presentation time. An MMT Package is a collection of one or more Assets, and an ATSC 3.0 Service delivered by MMTP shall be composed of one or more MMT Packages, where MMT Packages do not overlap in presentation time. Multiple Assets may be delivered over a single MMTP session. Each Asset shall be associated with a `packet_id` which is unique within the scope of the MMTP session. This enables efficient filtering of MMTP packets carrying a specific Asset. The mapping information between MMT Packages and MMTP sessions shall be delivered to the receiver by MPT (MMT Package Table) messages.

As mentioned earlier, ROUTE must be used with content not intended for rendering in real time as it is received.

Details on the implementation of MMTP/MPU can be found in ISO/IEC TR 23008-13 as well as found in ATSC A/331 Signaling, Delivery, Synchronization and Error Protection.

Addition of AL-FEC (Application Layer Forward Error Correction) for NRT streams

Optionally, source data may include repair data (in a alternative Repair Flow) that is generated from the source data by applying an AL-FEC algorithm. The repair flow data is only useful to application-layer forward error correction systems in correction-capable receivers.

The availability of AL-FEC in ROUTE is crucial to several important applications, for example:

- Large NRT file delivery
- Some DVR (trick mode) applications
- Enhanced robustness for collection of smaller objects, e.g., a web page

A specific application of AL-FEC is the broadcast delivery of app-based services, i.e., file-based delivery of application specific content objects (downloaded songs, video clips, interactivity related media assets, etc.), or service metadata such as the ESG. For NRT content delivery over ROUTE, (all NRT data requires ROUTE transport) the source flow, when delivering file content, should use the File Mode as defined by ROUTE.

LCT (Layer Coded Transport) required for service identification

Each ROUTE session comprises one or more LCT channels which carry, as a whole, or in part, the content components that make up the ATSC 3.0 service. In streaming services delivery, an LCT channel may carry an individual component of a user service such as an audio, video or closed caption stream. Streaming media is formatted as DASH Segments.

REFERENCE

Properties common to the LCT channels, and certain properties unique to individual LCT channels, are given in a ROUTE signaling structure called a Service-based Transport Session Instance Description (S-TSID), which is part of the Service Layer Signaling. Each LCT channel is carried over a single Physical Layer Pipe or PLP. Each PLP may contain one or more LCT channels. Different LCT channels of a ROUTE session may or may not be contained in different Physical Layer Pipes. The properties described in the S-TSID include the TSI value for each LCT channel, descriptors for the delivery objects/files, and Application Layer FEC parameters

The S-TSID (Service-based Transport Session Instance Description) fragment provides transport session descriptions for the LCT channel(s) of the one or more ROUTE sessions in which the media content components of an ATSC 3.0 service are delivered, and descriptions of the delivery objects carried in those LCT channels.

For the delivery of App-Based features or system metadata such as service and application signaling information, an LCT channel carries file-based content items. These content files may consist of applications or continuous (time-based) or discrete (non-time-based) media components of an App-Based feature, or metadata such as SLS or ESG fragments.

Each service is identified by two forms of service identifier: a compact form that is used in the SLT and is unique only within the broadcast area, and a globally unique form that is used in the ESG. A ROUTE session is identified by a source IP address, destination IP address and destination port number. An LCT channel (associated with the service component(s) it carries) is identified by a Transport Session Identifier (TSI) which is unique within the scope of the parent ROUTE session, and, additionally, unique within the scope of all ROUTE sessions defined for a given Service in the S-TSID.

An LCT channel may not be used to carry both media components of a linear Service and application files associated with that Service.

Assignment of HTML IP addressing

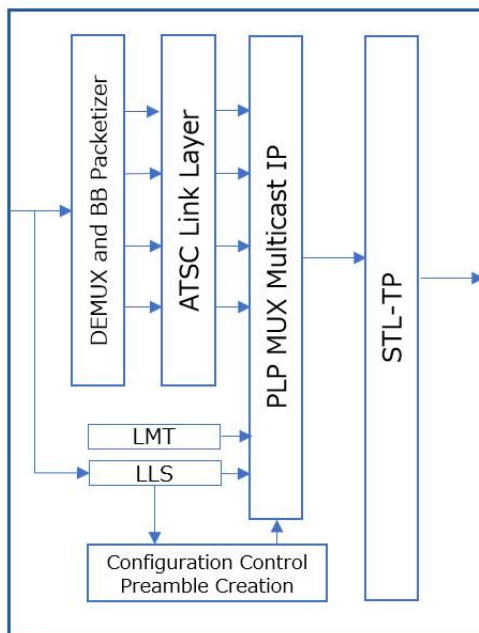
Moving now to the Network Layer, the Encapsulator provides appropriate IP and port addressing to be used by the HTML Proxy for the DASH player in the receiver with assignment for the transport as signaling objects and services. For purposes of simple explanation, the DASH player resides in the receiver inside of a special HTML browser in the receiver.

BROADCAST GATEWAY/SCHEDULER

An ATSC3.0 Broadcast Gateway/Scheduler encapsulate ROUTE, MMT, ALP (ATSC Link Layer Protocol) or IP streams into an ATSC-3 multiplex while inserting synchronization data for optional Single Frequency Network (SFN) broadcasting, allocates data into the different Sub-Frame and

REFERENCE

Physical Layer Pipes (PLP) and generates Studio to Transmitter Link Transport Protocol output packets. The block diagrams shown in this explanation assume a multiplexed IP input stream with LCT streams.



Gateway/Scheduler Block Diagram

Here is a simple summary of what a Gateway/Scheduler does

- Creates LCT based IP streams (ROUTE, MMTP...) into ATSC Link Layer Protocol (ALP as the Data Link Layer)
- ATSC 3.0 Baseband (Physical Layer) Frame allocation
- LMT (Link Mapping Table) generation as well as LLS table insertion
- Single and Multiple Sub-frame management and assignment
- Single and Multiple PLP management and assignment
- Generation of STL output packets over Multicast IP (STLTP)
- Control (via Modulator/Exciter) of ATSC 3.0 transmission parameters
- ATSC 3.0 SFN Adaptation
- Support of LDM and MISO modes

In our example the input stream is demultiplexed and assigned using the contents of the LCTs to individual logical channels which will ultimately become Physical Layer Pipes by means of a Link Layer. We now are at the Data Link Layer of the OSI Model.

REFERENCE

This is accomplished via the ATSC Link Layer Protocol (ALP). This part of the ATSC 3.0 protocol stack is fundamentally link layer signaling consisting of a header, links, and payloads. The link layer protocol isolates various transport types from the ultimate Physical (Transmission) Layer. Leveraging ALP, broadcasters can perform IP and TS packet encapsulation, segmentation and reassembly, concatenation, and header compression within this layer. Included in the ALP layer is a Link Mapping Table (LMT). The LMT provides a list of multicasts carried in a PLP. The LMT also provides additional information for processing the ALP packets carrying the multicasts in the link layer. The ROHC-U Description Table (RDT) is a header compression description for decompression purposes.

Following ALP is the UDP and IP multicast layers. It's important to note that all of the streams that come through ATSC 3.0 are multicast and are based on a range of IP destination addresses (e.g., 224.0.0.0 to 239.255.255.255). ATSC 3.0 defines a specific IP address and port number for elementary streams instead of using PIDs, as was the case with ATSC 1.0.

The Low Level Signaling (LLS) layer of ATSC 3.0 is now also inserted into this multicast stream so it can easily be found by the receiver via a dedicated multicast stream (224.0.23.60/4937).

EXCITER/MODULATOR

STL-TP, Physical Layer Pipe, Exciter Configuration and Preamble Demux

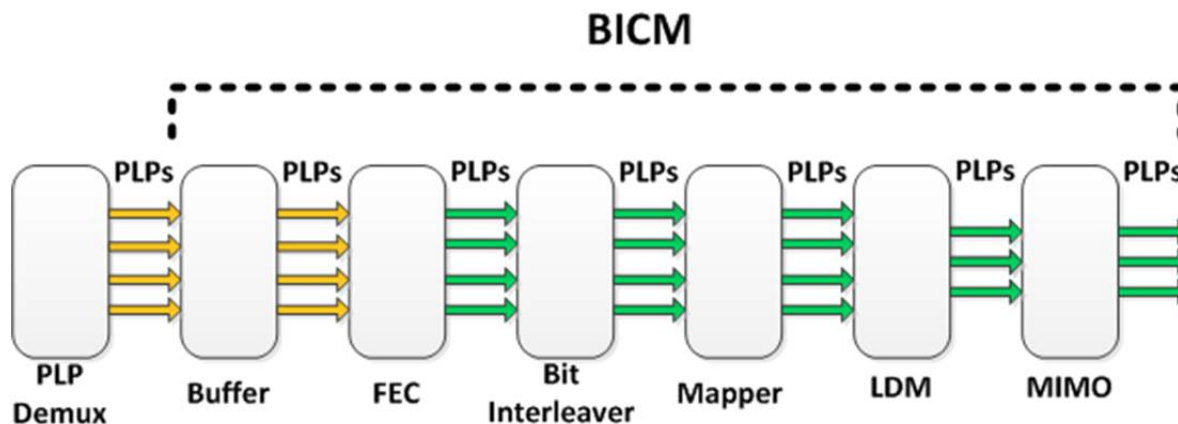
We are now dealing with the creation of the Physical Layer of the OSI Model. After the STL-TP signal is recovered from the STL is sent to the Exciter where it is removed from its STL-TP transport and the separate PLPs, Exciter and Preamble Configurations are demultiplexed from that transport protocol.

BICM (Bit Interleaved Coded Modulation)

The PLP data is sent to the BICM (Bit Interleaved Coded Modulation) section of the exciter/modulator as shown below. This stage provides mapping as well as error checking and correction that provide the high spectral efficiency close to (Shannon zero error) channel capacity limits. The BICM includes a special form of Forward Error Correction (FEC) including convolution (continuous) inner code and low-density parity-check (LDPC) outer code. A FEC block is formed by concatenating a payload packet with an outer and an inner correction code. It also includes a bit interleaver that increases the ability of error protection coding to correct for burst errors. The BICM also contains a Non-Uniform Constellation (NUC) mapper that is used with non-uniform QAM. It is not used with QPSK modulation, which is by nature uniform. Non-Uniform Constellation mapping is a method by which a normally symmetrically shaped QAM constellation is modified such that the ultimate spectrum-energy distribution more closely matches that of Gaussian noise. This improves a QAM signal's noise immunity and significantly minimizes symbol error rate (SER).

REFERENCE

In the BICM the FEC code length and code rates are all user configurable to help the broadcaster match the signal to the transmission conditions anticipated for a particular service. They are noted in the familiar Input rate/symbol rate notation.



Bit Interleaved Coded Modulation Block Diagram

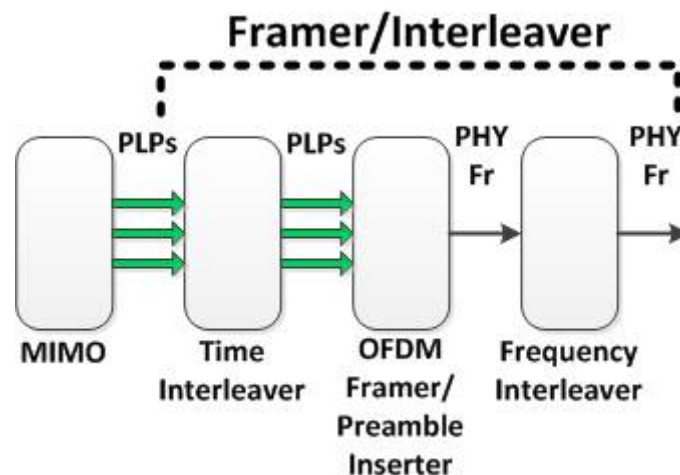
The blocks of data subsequently pass to an optional Layered Division Multiplexing and MIMO process. LDM takes two independent streams corresponding to two separate PLP's and modulates them separately on different constellations, and then adds them at different power levels in a way that they can be recovered independently in the receiver. MIMO is an optional mode of transmission that would require additional transmission equipment and receivers that can receive MIMO based transmissions.

Framer/Interleaver

The Framer/Interleaver section is shown in the figure below. The optional LDM/MIMO block's output passes to a time Interleaver to spread the payload out over time to mitigate time-based channel impairments. For a single PLP configuration, the payload can be spread over a certain period. For multiple PLPs a hybrid convolutional/block type interleaving is used. There is a finite memory/time limit for all types of interleaving. This also constrains the length of time for interleaving. However, studies have shown that receivers with longer period channel impairments

REFERENCE

to not benefit from long time interleaving, but rather benefit through antenna diversity, i.e. there is likely alternate signal energy from a different propagation angle.



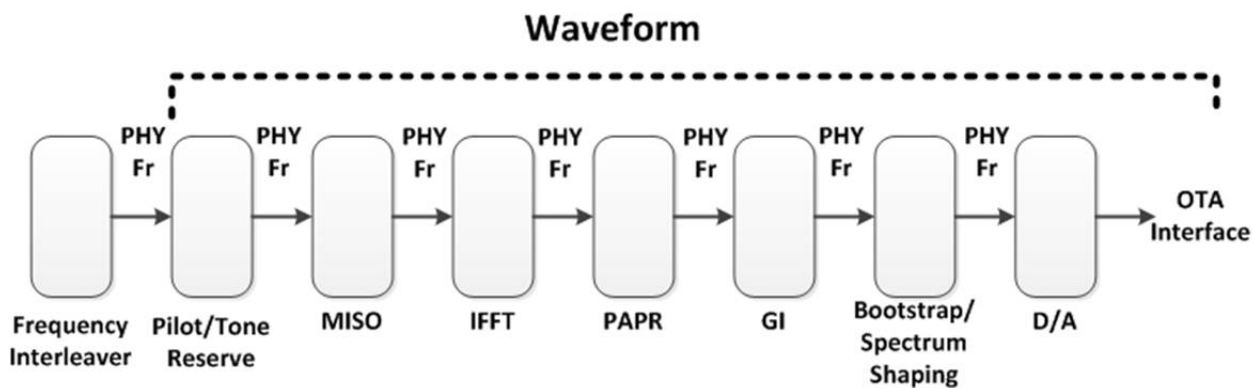
Framer/Interleaver Block Diagram

The time interleaved payloads then pass to the OFDM framer, which takes the constellation mapped cells and spreads them out across a matrix of location options of an OFDM frame. Those options include Time, Frequency and Time /Frequency (TDM, FDM, and TFD) types of PLP cell multiplexing. The data cells of PLP's are packed into sub-frames and frames as dictated by the Gateway/Scheduler configuration. Every physical frame begins with a Preamble that carries signaling needed for the receiver to find and to access the PLP data. A frame may be composed of one or more sub-frames. Each sub-frame may contain one or more PLP data cells having their starting locations and sizes described by the corresponding Preamble signaling allocation parameters. PLP cells within one sub-frame can be also multiplexed in TDM, FDM and TFD. The framer produces sub-frames of multiplexed PLP data cells that are mapped into allocated data cells of OFDM symbols. These mappings depend on the selected OFDM FFT size of 8192 (8K) 16384 (16K) or 32768 (32K), and the number of useful carriers, designated as NoC.

The symbol form of this data now passes to a frequency interleaver which interleaves each symbol across the channel bandwidth as shown in the figure below. Frequency interleaving is effective for mitigating channel-based narrowband noise. Continual and scattered pilots are also added to aid receiver channel synchronization and channel estimation (as a reference for the receiver to compensate for multipath and its resulting channel frequency response). There are 12 scattered pilot patterns for the broadcaster to choose from, which further enhances channel estimation in a wide range of channel reception conditions. In short, pilots make it possible for the receiver to

REFERENCE

lock to the modulated signal that has been interfered with by channel conditions. Pilots (also called tones) have locations that depend on FFT size and the number of carriers selected.



Waveform Generation and Bootstrap Block Diagram

After pilot addition, optional MISO filtering is applied, if transmitter diversity for more robust broadcast reception is required.

After this option, the inverse FFT is applied to the payload. This takes the frames from the frequency domain to the time domain and provides the time-domain signal representing the thousands of carriers, for modulation onto the RF carrier frequency.

One of the concerns with the use of OFDM is the high peak to average power ratio requirement it can create. This means that statistically significant peaks in power require the inclusion of inordinately large headroom in transmitters to prevent distortion in the transmitted signal. To reduce the amount of headroom required, two optional and complementary correction techniques may be applied in the Peak to Average Power Ratio (PAPR) block and may be used separately or combined. The two are Tone Reservation (TR) and Active Constellation Extensions (ACE). With the use of TR, a set of dedicated COFDM sub-carriers are modulated and utilized to cancel peaks in the time domain. For ACE techniques, boundary constellation points (presumably creating more power) are extended into a predefined sector to reduce peaks in the time domain.

With this scrambled, interleaved, payload protected, multiplexed, and framed data, a Guard Interval (GI) is introduced between symbols to protect against channel reflections or echoes or other impairments within the chosen GI duration. These Guard Intervals are also vital in the implementation of Single Frequency Networks or SFNs which may appear to receivers as echoes or time diverse reflections. There are twelve selectable intervals that range from 28 μ sec to over 700 μ sec in length. Occupying this Guard Interval is a copy of the last part of the OFDM symbol,

REFERENCE

called the Cyclic Prefix. The cyclic prefix allows the receiver to avoid inter-symbol interference in each of the thousands of subcarriers if the echoes are within the GI.

After the Guard Interval with Cyclic Prefix is established, the Bootstrap signal is inserted, just before the start of each Preamble of a physical frame. The Bootstrap is a time domain signal containing a short duration data message that is used to provide the receiver a universal entry point with just enough information so that it can find and decode the full RF channel. The bootstrap employs a fixed unique 2K FFT (not adjustable) signal in a very robust configuration (e.g. sampling rate, signal bandwidth, subcarrier spacing, time domain structure and cyclic prefix) known to all receiving devices. The Bootstrap has a narrower, fixed (4.5 MHz) bandwidth signal than the rest of the OFDM frames to improve available transmission power and to reduce interference from adjacent channels. The Bootstrap consists of a number of symbols created by its own and unique constellation mapper and IFFT, beginning with a synchronization symbol positioned at the start of each frame period to enable service discovery, coarse synchronization, frequency offset estimation, and initial channel estimation. The remainder of the bootstrap contains sufficient control signaling to permit the discovery and decoding of the remainder of the Preamble and physical frame. It can optionally, carry a very short metadata

message to alert the receiver of an emergency in the receiver's area. The actual emergency message is carried elsewhere in the data payload. In this way a very low level of receiver functionality (and thus potential power usage) can decode the presence of an alert even if the receiver is in a standby mode, receiving only the bootstrap signal and not decoding the balance of the signal.

The time domain digital signal then passes through a series of (digital) filters to provide spectral shaping and is finally converted from the digital to the analog domain where its signal level is increased and sent to the power amplifiers found in a transmitter.

Exciter/Modulator Physical Layer Parameters

The ATSC-3 NEXTGEN TV standard supports multiple broadcaster-selectable Physical Layer options. The following descriptions include many of the various parameter settings used in setting up an ATSC-3 exciter/modulator.

- **Support of Multiple Transmission Channel Bandwidths** - Allows the NEXTGEN TV Standard to be adapted to international configurationsⁱ
- **Multiple Low-Density Parity Check (LDPC) Codes** - The Low-Density Parity-Check Code Rate, defining the part of the stream that is useful data; given as an integer factor over 15.
- **Multiple Forward Error Correction (FEC) Codes**
- **Three Options for Outer Coding (BCH, CRC, None)**
- **Six Mod. Constellations (QPSK, 16QAM, 64QAM, 256QAM, 1024QAM, 4096QAM)** - The number of points in the two-dimensional scatter diagram of the QAM signal.
- **Sixteen Pilot Patterns** - Improves channel estimation. The frequency and spacing of the pilots impact availability of payload carriers and thus net payload capacity.
- **Twelve Guard Interval Durations (27.78 usec – 703.7 usec)** - The time interval inserted between OFDM symbols (containing the cyclic prefix), used to minimize Inter-Symbol interference; given in microseconds.
- **Three FFT Choices (8k, 16k, 32k)** - The number of discrete points used in the calculation of the FFT to demodulate the received OFDM waveform that drives the number of carriers used.
- **Three Time Interleaver Options (None, Convolutional, Hybrid)**
- **Multiple Physical Layer Pipes** - 64 are allowed, but receivers need only support 4 at once.
- **Multiple Framing Multiplex Options of TDM, FDM or Time Division and Frequency Division Multiplexing**
- **Layer Division Multiplex (LDM)**

Shannon Limit, Signal to Noise and Station Coverage

To completely understand the capabilities of NEXTGEN TV powered by ATSC-3 it is important to have an appreciation for the underlying technologies that have come together to enable features available to broadcasters by way of modern digital modulation, coding and transmission. This very flexible technology provides the transmission optionality found in NEXTGEN TV.

SHANNON LIMIT

In 1948, a brilliant and imaginative Bell Labs, later MIT scientist and professor Claude Shannon PHD described in his now famous paper, the theoretical limit of how much data could be carried in a data channel that experiences interference on a random basis (as with random noise). He referred to this as a channel's "capacity", but later it was to become known as the Shannon Limit or Curve because of the graphical representation of his theorem. His reasoning, as with many brilliant theories, is relatively easy and intuitive to understand as a thought experiment which makes it even more brilliant.

In a channel containing random noise, the only way to transmit and receive data with relatively small number of errors requires that system add redundancy to the data being transmitted. For instance, in the least sophisticated case, if you were trying to transmit a message with a given number of bits, you could send it, let us say, three times. If an error was introduced from random noise, you could reasonably infer that the data that represented the data received that was identical (let us say two data transmissions out of three) that was the error-free data.

We can say that any method of adding redundant data to a message for the purpose of error checking and correction is referred to as error-correcting code. The more impaired the channel, the more redundant data likely will be required to compensate for the additional errors. However, as the channel deals with more impairment, this redundant coding must get larger, so the useful transmission rate goes down dramatically. That is because you need more correcting bits to yield the same fundamental data. So, in designing an alternative error-correction coding scheme it should minimize the number of extra bits required while at the same time increasing the chance of correcting any errors in the transmission.

Using a majority code scheme as in the example requiring sending a data message multiple times is just not acceptable. It is wasteful of data bandwidth while being vulnerable to error since multiple data errors in unfortunate locations may make the wanted data unrecoverable.

However, Claude Shannon knew that better error-correcting codes were theoretically possible. In fact, he was able to show that for any communications channel there must be an efficient error-correcting code that enables error free transmissions in the presence of random noise impairment that could approach was to become to be known as the Shannon limit. His theory was totally mathematically based and not actually achievable in 1948 because of the limitations of the technology of the time.

REFERENCE

Shannon's work did not specifically define or prove this coding (done later by other mathematicians) but he used a mathematical description based on probability to describe how those coding methods might work in abstract and thus he was able to determine with some accuracy what a communications channel could carry in terms of payload using far more efficient coding techniques that met the balance between data and correction efficiency.

It took later work by many scientists, engineers, and mathematicians to provide those coding solutions as are now utilized in NEXTGEN TV which reach remarkably close to what Claude Shannon described over 70 years long ago. His work was brilliant and paved the way for so many technologies including satellite, cell phone and now NEXTGEN TV communications. He is without a doubt the father of modern communications and by extension NEXTGEN TV.

SIGNAL PROPAGATION AND THE IMPACT OF NOISE

Before we look at the Shannon limit itself and its influence on NEXTGEN TV, we need to understand the impact of distance from the transmission site on signal level as well as the limit of its receivability by random noise which exists in the environment. Electromagnetic noise is experienced everywhere. It is sourced, for example, in the residual noise from the beginnings of the Universe, our Sun's impact on our atmosphere, lightning, electrical lighting or by many motor-based appliances that are within our environment. It is broadband in character and can be found at all radio frequencies.

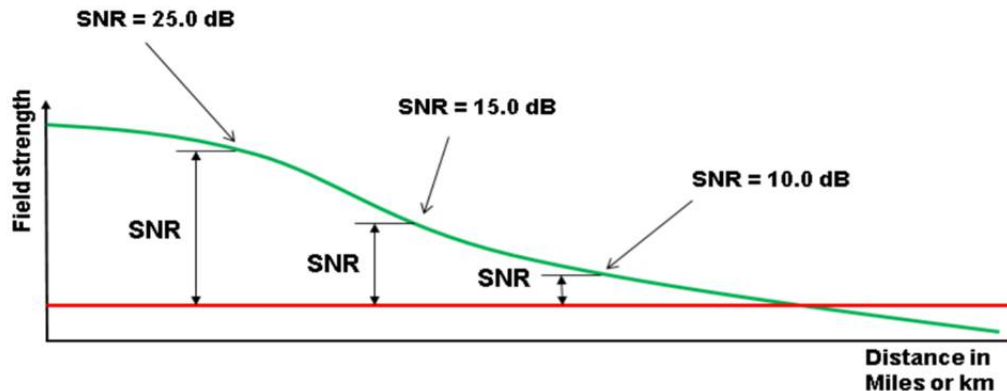
Transmissions in NEXTGEN TV signals go out in all directions (assuming a non-directional antenna) and expand while decreasing in density at the inverse square of the distance from the transmission location. Said in another form: in twice the distance you should expect only one quarter the signal density level.

Conversely, the amount of the noise at any given location generally remains the same over a time period (assuming no local lightning storms or a noisy vacuum cleaner motor nearby) so it can be expressed as a level generally to be predicted or expected. This level is often referred to as a noise floor since it is appearing as a straight (level in quantity) line in a distance versus level propagation chart for example.

In the graph below, the transmission signal (field strength) level versus distance is shown below as logarithmic curve since it is based in an inverse square function (twice the distance, one quarter the level). Its level compared to the predicted noise is referred to as a Signal to Noise ratio. It is a ratio only and thus is provided in decibels which is based on a linear relationship of two logarithmic functions. The noise level or "floor" is shown in red as a constant over increasing distance. There will be anecdotes of either more or less noise at any given point in the transmission coverage area, but for these purposes you can consider the noise as constant over a period of time as well as distance.

REFERENCE

The signal levels below indicated are for the reader's reference only to highlight that they do not follow a linear scale.



Signal to Noise versus Field Strength

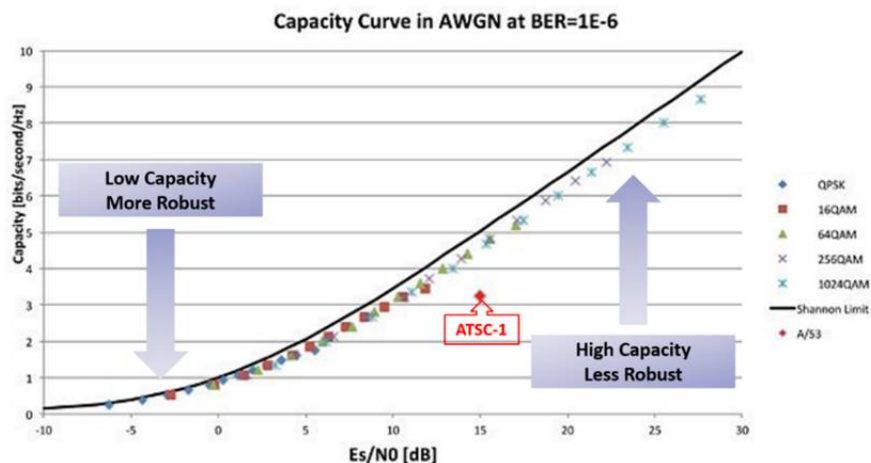
courtesy: GatesAir

So you can see that the S/N degrades as a function of distance. As you might guess different modulation and coding schemes require a different minimum signal level to noise ratios to reliably decode the signal, free of errors. This is at the very basis of the Shannon Limit or Curve.

USING THE SHANNON LIMIT IN NEXTGEN TV

Below is what the actual Shannon curve or limit chart looks like. Plotted on the chart are several NEXTGEN TV modulation and coding parameters as described in the ATSC-3 standard. It shows the available data capacity along the Y (vertical) axis and the required S/N (or better) on the X (horizontal) axis to properly decode the signal. Immediately you can see enjoying a wider range of S/N reduces data carrying capacity and vice versa. So, a signal requiring a minimum 25 dB S/N or better would be less robust (harder to receive) than one requiring only -5 dB S/N or better. However, what is traded for improved signal robustness is signal capacity, which is at the very heart of this conundrum, but is in keeping with what Shannon theorized as well as what has been found in practice.

REFERENCE



Shannon Graph with various ATSC-3 Modulation and Coding Schemes

courtesy: ATSC

You will note in the graph above that lower data symbol constellations, such as in the less-complex QPSK case, improve S/N requirements but at the cost of far smaller data capacities. Conversely, more complex constellations, such as in 1024 QAM case provide a far larger data payload capacity but also require a far better minimum S/N. Since the broadcaster cannot reasonably control the noise floor, all that can be controlled is the signal level.

For reference the current ATSC-1 performance is also shown on this chart as documented in ATSC A/53 standard. It requires a S/N of ~ 15.5 dB or better at a fixed modulation and coding parameter to provide an equally maximum data throughput of ~ 19.4 M/sec or just over ~ 3.2 bits/second/Hz as shown on this chart. Using current points of view, this performance looks relatively poor against what Shannon originally described was possible. However, this capacity was far superior to the capacity of analog television and was state of the art 20+ years ago when the first North American digital television standard was created. By way of comparison when Shannon formulated his theory in 1948 the data capacity available by telephone lines for example was less than 9.6 kb/sec.

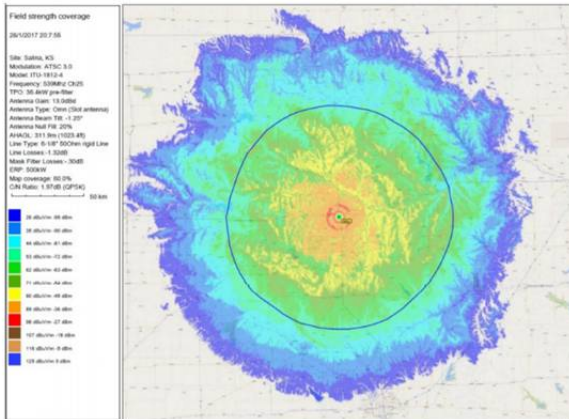
COVERAGE AND BANDWIDTH TRADE-OFFS

When using the Shannon Curve, it is also important to fully understand the impact of modulation and coding parameters on both coverage and receivability.

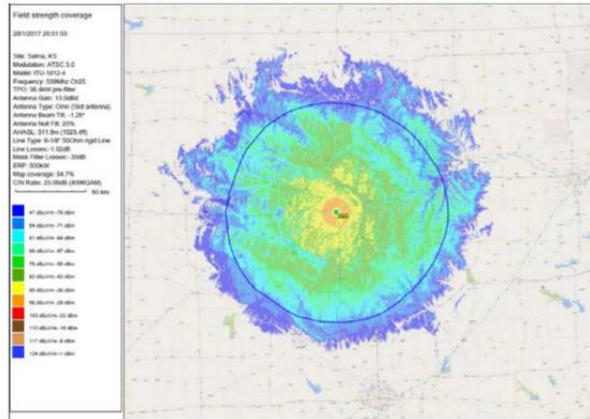
Within the Shannon Curve we saw that more aggressive (complex) modulation and coding characteristics increased available bandwidth, but at the cost of a better reception S/N being required. Since the available S/N degrades over distance then potential coverage is reduced. Less aggressive (less complex) modulation schemes require a lower minimum S/N for successful receivability, but at the cost of available bandwidth.

REFERENCE

Below are two theoretical coverage areas shown using two different modulation and coding parameters that highlight the impact of reduced coverage based on corresponding increases in data payload.



ATSC-3 QPSK 6.5 Mb/s 1.97 dB SNR



ATSC-3 1024QAM 39 Mb/s 23 dB SNR

courtesy: GatesAir

The reader is reminded of the available S/N versus distance chart earlier in this explanation. In short, if the signal level could be increased the available S/N could be improved giving the broadcaster the choice of trading that improvement for either improved receivability or available bandwidth.

This tradeoff is both the standard's strength while also being one of the most misunderstood features of NEXTGEN TV. The broadcaster should customize the receivability and payload capacity to their services to meet the needs of their target audience. Additionally, with the use of separate Physical Layer Pipes that use different modulation and coding schemes, the broadcaster can within the limit of their channel's capacity customize up 4 different modulation and coding configurations to be transmitted at one time in a multiplex fashion. This is immensely powerful capability.

Transmission Antenna Polarization in NEXTGEN TV

One of the most common questions asked during the planning of a NEXTGEN TV Host station is should the transmission antenna have some vertical polarization component (cross polarization) added to the normally horizontally polarized NEXTGEN TV transmission antenna's emission. Some antennas can be modified to provide for this capability while others may require complete replacement.

The short answer is "maybe", because it is a complex subject that defies a simple answer. The explanation below will hopefully provide to the reader the variables that need to be considered before actually investing in a modified transmission system.

In nature a radiation source is most likely to be depolarized, meaning it contains radiating electro-magnetic fields in all orientations. An example of this would be the sun. It has millions of light sources on its surface, all with different radiation alignments.

That is true for gamma, x-rays, visual light as well as radio frequencies. Controlling the specific polarization characteristics of electro-magnetic radiation is generally human controlled.

Specifically, the polarization characteristic of the RF electro-magnetic field used in television broadcast transmission can be explained in both the wave and particle models, but for simplicity we will keep to the wave model.

Any radio frequency emission is made up of both an electric field and a magnetic field in quadrature or oriented 90 degrees apart in planes but are for human convenience referenced to the surface of the earth. Polarization is described by the orientation of just the electric field in respect to the surface of the earth. Therefore, horizontally polarized transmission has its emitted electric field parallel and thus its magnetic field perpendicular to the surface of the earth.

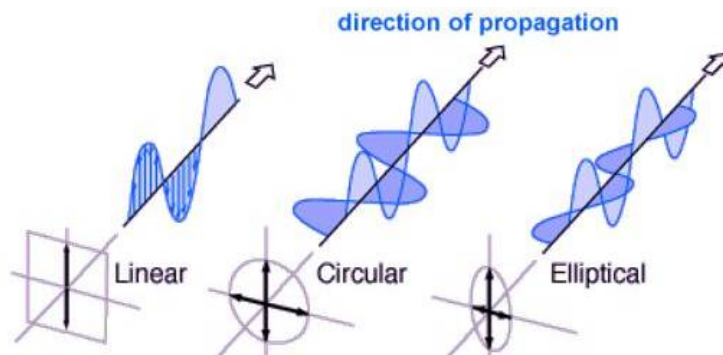
Polarization in a fixed and controlled system can be linear (as in vertical or horizontal) or circular. In a circular field, there is both a horizontal and vertical electrical component emitted whose phases are held 90 degrees apart in time. This makes the resultant additive field transmitted appear to rotate to the outside observer. Depending on whether the fields are positively or negatively phase related the resultant field will rotate either clockwise or counterclockwise.

If the levels of the two horizontal and vertical electric components emitted in quadrature are held equal the resultant field will be a symmetrically circular rotating field as viewed from the point of view as looking from the transmitting antenna or from the viewer's perspective.

If the two component fields are not equal (as in the vertical electrical component being a lower or higher percentage of the horizontal electrical field) the resultant field would form an ellipse as

REFERENCE

seen from the transmitting antenna or the viewer's perspective. This is a special a form of circular polarization is the most often used version of complex polarization utilized in television transmission when pure horizontal polarization is not utilized.



In a free space setting (line of sight with no impediments to transmission) to gain the full benefit of improvements in signal brought about by using a specific component of polarization to the transmission, the receive antenna should match the polarization orientation of the transmission. However, a free space, line of site setting rarely exists in actual transmissions.

There are four major impediments to transmission that impact the originating transmission's polarization. There are other impediments the transmission that occur, but these four are most relevant to the polarization discussion. They are:

- Reflection
- Absorption
- Scatter
- Reradiation

Given the unlikelihood that a transmission has a simple line of site path with little in the way of impediment, reflections are likely from objects in the transmission path such as terrain, bridges, buildings, terrain as well as vehicles of all types. The transmission will also be absorbed by impenetrable objects such as walls, trees and even rain or snow. The signal can also be scattered in a random way by irregular surfaces of all types including buildings, terrain with and even weather. Also, the signal can incur secondary reradiation when encountering surfaces that may be conductive. These surfaces will have currents induced in them that reradiate the signal. All these four specific impediments may be polarization sensitive. They may filter one polarization in favor of another and may even change dynamically because of relative movement of the offending objects. Said in another manner all these impediments can depolarize the original signal and may provide impediments in a selective way as in more of an impediment to one polarization orientation over another.

REFERENCE

Also, it has been found in some anecdotal testing that forms of circular polarization including elliptical polarization refract around edge surfaces more easily improving transmission levels and margins in areas otherwise shading or blocking single polarization transmission as may be the case of buildings, bridges and other similar objects.

So, providing a transmission with multiple polarization components may have merit since there is a spread of the transmitted energy in different orientations with a statistically better chance of reaching and replicating the orientation of the receiver antenna. This is particularly true in the case of mobile or handheld devices whose physical antenna orientation is likely to be in motion much of the time.

All FCC licensed television stations are licensed in the horizontally derived power only. So, their licensed coverage and interference parameters are based in the horizontal electrical plane only. Therefore, the licensed Effective Radiated Power stated in a broadcaster's authorization only refers to its horizontal component. Any vertical component desired is above and beyond the license power. So, if a broadcaster wishes to add a vertical component to their signal, they must either modify or replace their antenna unless it already contains the desired vertically radiated component.

Additionally, the transmitter power output must be rated to handle the additional power output required (above the mandatory horizontally licensed power). For example, should the broadcaster choose to include 30% power in the vertical plane to the emission, their transmitter and transmission line must handle the additional 30% power. There will be a power splitter required as well in many cases for the antenna as well. However, some antennas have the power splitting management built into the design of the antenna itself.

This additional power may impact transmission line size, antenna weight and thus tower loading considerations. Also, power consumption of the transmitter will rise proportionately. Primary service power and backup power systems may also be impacted. These are all real-world considerations.

There are benefits to adding a vertical component to your transmission radiation. However, the level of improvement in real world coverage will vary wildly with terrain, weather, physical infrastructure (urban, rural) as well as less predictable impediments such as trees, forests, and weather.

Adding as much power to the vertical component of the transmission as the horizontal would seem to provide the most benefit, but it has a huge impact of cost of implementation and operation going forward. Adding just a small amount of vertical component would not seem to be worth the trouble particularly given the relatively proportionally small benefit with a still substantial cost. Therefore, many have settled on about 30% added vertical component which seems to provide a "sweet-spot" between incremental cost and benefit. This amount is not a magic

REFERENCE

level, but instead reflects the practical cost-benefit analysis found in real world installations. This improvement is not unique to ATSC-3 based NEXTGEN TV transmissions.

Likely, the possibility of mobile and portable use cases for NEXTGEN TV has placed a spotlight on this basic natural phenomenon and technology that James Maxwell described electro-magnetic wave motion 150 years ago in 1864.

Physical Layer Pipes

One of the more powerful capabilities in NEXTGEN TV is the ability to configure its Physical Layer characteristics to a wide range of parameters allowing for options in bandwidth and robustness of the signal by trading channel payload bandwidth for receivability. This capability provides flexibility in delivering broadcasting services, allows extended reach, creates new business models, delivers customized quality, improves personalization, and enables interactivity. It does this all with more flexibility and efficient use of the available spectrum. For example, a mobile service likely requires a more robust delivery capability than a service or stream aimed at a fixed audience that may benefit from more available bandwidth payload.

Additionally, by using Physical Layer Pipes (PLP) the broadcaster has the option of transmitting multiple transmissions with using different modulation and coding parameters in a multiplexed fashion within the same channel.

The maximum number of Physical Layer Pipes allowed in each broadcast RF channel is sixty-four. The minimum number of PLPs in an RF channel is one. However, the maximum number of PLPs carrying content for assembly into a single displayed product is four. As a practical matter, it is recommended to assign the most robust channel to the lowest numbered PLP which begins numbering at PLP0 through PLP3 for example.

PHYSICAL LAYER PIPES – HIGH LEVEL MODEL

To fully understand how PLPs can be utilized productively, we should review at a high level the logical characteristics of what might be contained within an individual PLP.

Physical Layer Pipes are at their very base, a logical construct that have common Physical Layer characteristics of modulation and coding. That is not to say one cannot set up more than one PLP with identical Physical Layer characteristics and it be identified separately, but that would seem to be an unusual, yet allowed case. The most common use of PLPs is to provide different multiplexed logical transmissions with alternative characteristics that favor either bandwidth or signal robustness as in market coverage.

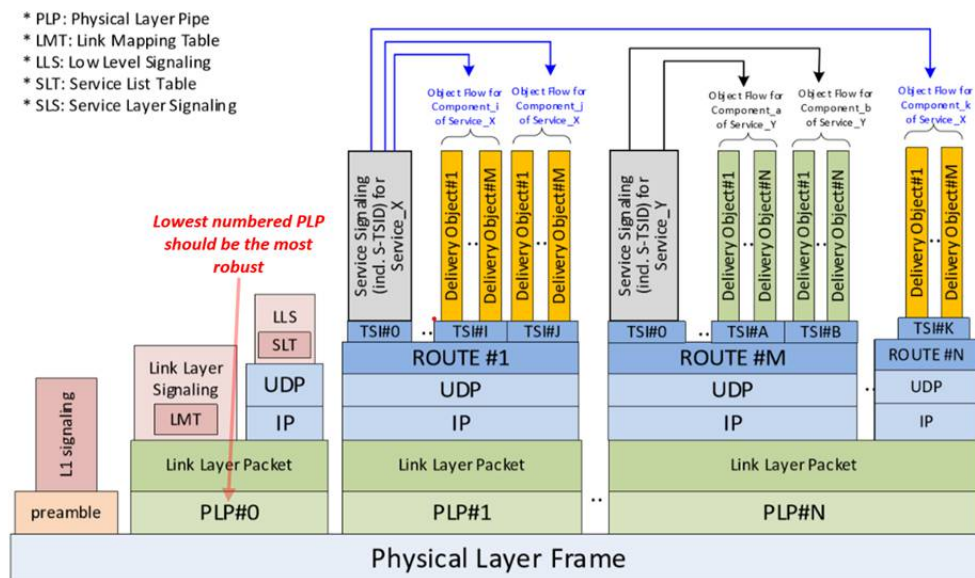
As has been mentioned the use of 64 PLPs are supported in the ATSC-3 standard. However, the receiver must only support 4 at one time. This would seem on the surface to be a constraint or limitation, but there is an understandable reason for this constraint. The receiver must demodulate and decode all the required PLPs at the same time to rebuild and provide a complete service presentation whose individual streams that might be spread over the multiple PLPs. That is to say, a single service such as found in a normal television media presentation could be spread over as many as 4 PLPs. For example, the video may reside in one PLP with a more aggressive (less robust), PLP with higher bandwidth characteristics and the audio and captioning placed in a more robust, but lower bandwidth PLP with captioning. Lastly, the service signaling may be placed in a lower bandwidth PLP, but is the most robust. In that way in poor or unstable signal to noise

REFERENCE

receiving conditions, the receiver could more easily discover the service from the most robust PLP, decode the audio from its PLP, while requiring the best receiving conditions for decoding the video in a PLP with more available bandwidth. This capability can provide more graceful receiver behavior and conditions in the face of poor reception conditions, with the video failing first yet with the audio still decodable and the receiver still locked on the service because of the signaling residing in the most robust PLP. To make this work in practice, the PLPs must be multiplexed so that receivers are able to receive and decode all these PLPs nearly simultaneously since the service in this case is spread over multiple PLPs.

How this works logically is shown in the following figure from the ATSC-3 standard, A/331. This is a logical construct, so what is shown in the diagram of how you can think of what is happening inside the PLPs but does not represent necessarily how the PLPs are physically multiplexed within the Physical Layer. That is a much more complex concept explained at a high level in the next section.

What is indicated in this logical diagram the Link Mapping Table, Service List Table assigned to the most robust PLP conventionally assigned as PLP-0. Shown in PLP-1 is the Service Signaling as well as a couple of objects that make up a service. Possibly they are audio channels. Also, that same Service Signaling points to objects in another PLP, presumably with less robustness, but likely more bandwidth (as in possibly video). The constraints about the locations and numbers of these signaling tables are discussed in detail with ATSC - A/331. The assignments of streams and services are left to the requirements, judgment and imagination of the broadcaster to control within the NEXTGEN TVs standard's technical capabilities. As a matter of convention, the most robust PLP should occupy the lowest numbered PLP.



Example the Logical Structure of the PLP Architecture from A/331

REFERENCE

PHYSICAL LAYER PIPES – MORE DETAILED DESCRIPTION

To completely understand how Physical Layer Pipes work, it is important to understand both their high-level description described earlier, but also their more detailed implementation characteristics within the transmission’s Physical Layer. What is described below is a more detailed description of the physical characteristics of the PLP structures and multiplexing but does not attempt to describe all of the constraints or requirements. That is left for a more detailed description as found in A/322 Physical Layer Protocol or the Physical Layer Recommended Practice A/327.

Physical Layer

PLPs can be organized and multiplexed into Frames or Sub-frames. Sub-frames are held within Physical Layer Frames that begin with the Bootstrap as well as the Preamble’s L1 signaling data. Sub-frames are always organized by common FFT and Guard Interval. The first Sub-frame must share the same FFT and Guard Interval as the Preamble for example. PLPs assigned to one Subframe may not span to another Sub-frame with different FFT and Guard Interval characteristics.

The use of Sub-frames not only lowers the data overhead by not requiring an additional Bootstrap and Preamble signaling required of a full Frame but also organizes the Physical Layer in a way that makes dedicated use-case reception such as in-home, mobile or in an automobile easier to demodulate and decode inside dedicated-purpose receivers.

Single PLP Use Case

For the purposes of PLP multiplexing in general, the PLPs are broken into data cells. These cells are in part determined by the FFT size (with number of carriers) as well as the pilot pattern selected. They are described for the receiver use within the L1 detail portion of the Preamble L1 signaling.

The simplest multiplexing methodology is when there is only one PLP, and the output of the time interleaver is mapped to data cells which are ordered into data symbols within the Sub-frame. For all other cases apart from this single PLP per subframe case, there are various ways to multiplex the multiple PLPs onto the frame. Below is a simple illustration of what a single PLP data frame containing illustrated data cells might look like.

	Time →																									
Frequency ↓	A000	A010	A020	A030	A040	A050	A060	A070	A080	A090	A100	A110	A120	A130	A140	A150	A160	A170	A180	A190	A200	A210	A220	A230	A240	A250
	A001	A011	A021	A031	A041	A051	A061	A071	A081	A091	A101	A111	A121	A131	A141	A151	A161	A171	A181	A191	A201	A211	A221	A231	A241	A251
	A002	A012	A022	A032	A042	A052	A062	A072	A082	A092	A102	A112	A122	A132	A142	A152	A162	A172	A182	A192	A202	A212	A222	A232	A242	A252
	A003	A013	A023	A033	A043	A053	A063	A073	A083	A093	A103	A113	A123	A133	A143	A153	A163	A173	A183	A193	A203	A213	A223	A233	A243	A253
	A004	A014	A024	A034	A044	A054	A064	A074	A084	A094	A104	A114	A124	A134	A144	A154	A164	A174	A184	A194	A204	A214	A224	A234	A244	A254
	A005	A015	A025	A035	A045	A055	A065	A075	A085	A095	A105	A115	A125	A135	A145	A155	A165	A175	A185	A195	A205	A215	A225	A235	A245	A255
	A006	A016	A026	A036	A046	A056	A066	A076	A086	A096	A106	A116	A126	A136	A146	A156	A166	A176	A186	A196	A206	A216	A226	A236	A246	A256
	A007	A017	A027	A037	A047	A057	A067	A077	A087	A097	A107	A117	A127	A137	A147	A157	A167	A177	A187	A197	A207	A217	A227	A237	A247	A257
	A008	A018	A028	A038	A048	A058	A068	A078	A088	A098	A108	A118	A128	A138	A148	A158	A168	A178	A188	A198	A208	A218	A228	A238	A248	A258
	A009	A019	A029	A039	A049	A059	A069	A079	A089	A099	A109	A119	A129	A139	A149	A159	A169	A179	A189	A199	A209	A219	A229	A239	A249	A259

Single Core PLP Frame with Numbered Data Cells

REFERENCE

Multiple PLP Cell Multiplexing

In PLP cell multiplexing there are two basic types of PLPs in the NEXTGEN TV Physical Layer, non-dispersed PLPs and dispersed PLPs. All of the data cells in a non-dispersed PLP within a subframe are contiguous in the one-dimensional indexed data cell space. A dispersed PLP however, is sub sliced such that equal-sized blocks (or sub-slices) of that PLP appear at noncontiguous periodic intervals within the indexed data cell space of a subframe.

The two different PLP types lead to two basic approaches when multiplexing the cells of more than one PLP into a subframe. Non-dispersed PLPs can be multiplexed in a time-division multiplexed manner. For example, a non-dispersed PLP would occupy a certain contiguous block in the indexed data cell space, followed by a second non-dispersed PLP occupying a different contiguous block within the indexed data cell space.

Dispersed PLPs are multiplexed in a Sub-Slice Multiplexed (SSM) manner. In this case sub-slices of multiple (at least two) dispersed PLPs are essentially interwoven with each other across a greater period of time than would be otherwise occupied by only one of those PLPs if that PLP was configured as a non-dispersed PLP. This leads to greater time diversity by spreading the same amount of data over a longer period. The basic requirement for sub-slice multiplexing multiple dispersed PLPs together is that all those PLPs are configured with the same sub-slice interval value.

The following paragraphs describe the multiplexing techniques used within NEXTGEN TV:

- Time division multiplexing (TDM)
- Frequency Division Multiplexing (FDM)
- Sub-Slice Multiplexing (SSM), used with dispersed PLPs
- Time/Frequency Division Multiplexing (TFDM), a hybrid combination of the two above

Time Division Multiplexing (TDM)

The concatenation in a period of multiple PLPs within a subframe can be achieved simply by using non-dispersed PLPs instead of dispersed PLPs. The graphic below shows the cell multiplexing view for an example of the Time Division Multiplexing of six PLPs. Remember, receivers need only demodulated and decode four at one time.

	Time →																														
Frequency ↓	A00	A10	B08	B18	C04	C14	C24	C34	C44	C54	C64	C74	D04	D14	D24	D34	D44	E02	E12	E22	E32	E42	E52	F02	F12	F22					
	A01	A11	B09	B19	C05	C15	C25	C35	C45	C55	C65	C75	D05	D15	D25	D35	D45	E03	E13	E23	E33	E43	E53	F03	F13	F23					
	A02	B00	B10	B20	C06	C16	C26	C36	C46	C56	C66	C76	D06	D16	D26	D36	D46	E04	E14	E24	E34	E44	E54	F04	F14	F24					
	A03	B01	B11	B21	C07	C17	C27	C37	C47	C57	C67	C77	D07	D17	D27	D37	D47	E05	E15	E25	E35	E45	E55	F05	F15	F25					
	A04	B02	B12	B22	C08	C18	C28	C38	C48	C58	C68	C78	D08	D18	D28	D38	D48	E06	E16	E26	E36	E46	E56	F06	F16	F26					
	A05	B03	B13	B23	C09	C19	C29	C39	C49	C59	C69	C79	D09	D19	D29	D39	D49	E07	E17	E27	E37	E47	E57	F07	F17	F27					
	A06	B04	B14	C00	C10	C20	C30	C40	C50	C60	C70	D00	D10	D20	D30	D40	D50	E08	E18	E28	E38	E48	E58	F08	F18	F28					
	A07	B05	B15	C01	C11	C21	C31	C41	C51	C61	C71	D01	D11	D21	D31	D41	D51	E09	E19	E29	E39	E49	E59	F09	F19	F29					
	A08	B06	B16	C02	C12	C22	C32	C42	C52	C62	C72	D02	D12	D22	D32	D42	E00	E10	E20	E30	E40	E50	F00	F10	F20	F30					
	A09	B07	B17	C03	C13	C23	C33	C43	C53	C63	C73	D03	D13	D23	D33	D43	E01	E11	E21	E31	E41	E51	F01	F11	F21	F31					

Six PLP Frame with Time Division Multiplexing

REFERENCE

TDM is a relatively simple multiplexing scheme that can be used for different applications and has the benefit of potentially reducing power consumption at a receiver, especially in battery-powered receivers. A receiver could access and decode a wanted stream only during a portion of the Physical Layer when the PLP of interest is being transmitted. During unwanted portions of the transmission (e.g. other PLP periods), the receiver could fall into an idle mode to reduce battery energy consumption.

Frequency Division Multiplexing (FDM)

Frequency Division Multiplexing of multiple PLPs within a subframe can be achieved by using dispersed PLPs with appropriate parameter settings. To achieve FDM, the sub-slice interval of each dispersed PLP is set to the number of data cells per data symbol for the current subframe configuration. The number of sub-slices is set such that the resulting size of each sub-slice is less than the number of data cells per data symbol for the current subframe configuration. It should be noted that Frequency Division Multiplexing can only be achieved if frequency interleaving of the corresponding subframe is disabled. The graphic below shows a view of an example of the Frequency Division Multiplexing of six dispersed PLPs.

	Time →																																																		
Frequency ↓	A00	A01	A02	A03	A04	A05	A06	A07	A08	A09	A10	A11	A12	A13	A14	A15	A16	A17	A18	A19	A20	A21	A22	A23	A24	A25																									
	B00	B02	B04	B06	B08	B10	B12	B14	B16	B18	B20	B22	B24	B26	B28	B30	B32	B34	B36	B38	B40	B42	B44	B46	B48	B50																									
	B01	B03	B05	B07	B09	B11	B13	B15	B17	B19	B21	B23	B25	B27	B29	B31	B33	B35	B37	B39	B41	B43	B45	B47	B49	B51																									
	C00	C01	C02	C03	C04	C05	C06	C07	C08	C09	C10	C11	C12	C13	C14	C15	C16	C17	C18	C19	C20	C21	C22	C23	C24	C25																									
	D00	D03	D06	D09	D12	D15	D18	D21	D24	D27	D30	D33	D36	D39	D42	D45	D48	D51	D54	D57	D60	D63	D66	D69	D72	D75																									
	D01	D04	D07	D10	D13	D16	D19	D22	D25	D28	D31	D34	D37	D40	D43	D46	D49	D52	D55	D58	D61	D64	D67	D70	D73	D76																									
D02	D05	D08	D11	D14	D17	D20	D23	D26	D29	D32	D35	D38	D41	D44	D47	D50	D53	D56	D59	D62	D65	D68	D71	D74	D77																										
E00	E01	E02	E03	E04	E05	E06	E07	E08	E09	E10	E11	E12	E13	E14	E15	E16	E17	E18	E19	E20	E21	E22	E23	E24	E25																										
F00	F02	F04	F06	F08	F10	F12	F14	F16	F18	F20	F22	F24	F26	F28	F30	F32	F34	F36	F38	F40	F42	F44	F46	F48	F50																										
F01	F03	F05	F07	F09	F11	F13	F15	F17	F19	F21	F23	F25	F27	F29	F31	F33	F35	F37	F39	F41	F43	F45	F47	F49	F51																										

Six PLP Frame with Frequency Division Multiplexing

Time - Frequency Division Multiplexing (TFDM)

A mix of Time and Frequency Division Multiplexing can be accomplished by applying the methodology used to achieve Frequency Division Multiplexing while setting PLP size and sub-slicing parameters such that the resulting PLP mappings are multiplexed not only in frequency but also in time. One or more non-dispersed PLPs may also optionally be included in a TFDM subframe. The same limitations on Frequency Division Multiplexing (as in if frequency interleaving of the corresponding subframe must be disabled) are also applicable to TFDM.

The graphic below shows the cell multiplexing parameters and the resulting graphical view for an example of the time and frequency division multiplexing of six PLPs.

REFERENCE

A00	A10	A20	A30	A40	B00	B03	B06	B09	B12	B15	B18	B21	B24	B27	B30	F00	F03	F06	F09	F12	F15	F18	F21	F24	F27
A01	A11	A21	A31	A41	B01	B04	B07	B10	B13	B16	B19	B22	B25	B28	B31	F01	F04	F07	F10	F13	F16	F19	F22	F25	F28
A02	A12	A22	A32	A42	B02	B05	B08	B11	B14	B17	B20	B23	B26	B29	B32	F02	F05	F08	F11	F14	F17	F20	F23	F26	F29
A03	A13	A23	A33	A43	C00	C02	C04	C06	C08	C10	C12	C14	C16	C18	C20	C22	C24	C26	C28	C30	C32	C34	C36	C38	C40
A04	A14	A24	A34	A44	C01	C03	C05	C07	C09	C11	C13	C15	C17	C19	C21	C23	C25	C27	C29	C31	C33	C35	C37	C39	C41
A05	A15	A25	A35	A45	D00	D05	D10	D15	E00	E05	E10	E15	E20	E25	E30	E35	E40	E45	E50	E55	E60	E65	E70	E75	E80
A06	A16	A26	A36	A46	D01	D06	D11	D16	E01	E06	E11	E16	E21	E26	E31	E36	E41	E46	E51	E56	E61	E66	E71	E76	E81
A07	A17	A27	A37	A47	D02	D07	D12	D17	E02	E07	E12	E17	E22	E27	E32	E37	E42	E47	E52	E57	E62	E67	E72	E77	E82
A08	A18	A28	A38	A48	D03	D08	D13	D18	E03	E08	E13	E18	E23	E28	E33	E38	E43	E48	E53	E58	E63	E68	E73	E78	E83
A09	A19	A29	A39	A49	D04	D09	D14	D19	E04	E09	E14	E19	E24	E29	E34	E39	E44	E49	E54	E59	E64	E69	E74	E79	E84

Six PLP Frame with Time and Frequency Division Multiplexing

Note that the Frequency-Division Multiplexed example shown earlier is a special case of Sub-slice Multiplex or SSM where the sub-slice interval is configured to be equal to the number of available data cells in one OFDM symbol. However, SSM is more general than the limited case of FDM and is not limited just to an FDM configuration. TDM and SSM PLP configurations can be combined within a subframe when both non-dispersed and dispersed PLPs are present. One such example is the case of TFDm shown above.

The special case of FDM allocates dispersed PLPs within a subframe such that each PLP is delivered within a narrower bandwidth than the overall system bandwidth and may therefore allow receivers to use lower-power narrower-bandwidth operations for the body of that subframe. However, the bootstrap and the preamble symbols occupy the full system bandwidth (subject to any carrier reduction that is applied), so a receiver will need to process the full system bandwidth at the beginning of each physical layer frame.

Multiple Subframes within a Frame

There are many possible ways to transmit multiple PLPs in NEXTGEN TV. For example, should a single Sub-frame or in multiple Sub-frames be used when using multiple PLPs. It is recommended that the number of Sub-frames used be limited to the minimum number possible, since there is a small loss of data throughput efficiency when Sub-frame Boundary Symbols (SBS) are utilized. Therefore, if there are 2 PLPs that both use 8K FFT size and the same pilot pattern and there are no other considerations (for example different broadcasters operating different services), although separate subframes with the same parameters are possible, it makes sense to combine those 2 PLPs into the same subframe.

Furthermore, care should be taken with the order of the subframes as required by the standard, The most common use of Sub-frames would be to enable the use of completely different OFDM parameters, specifically different FFT sizes and/or different pilot patterns. For example, a typical scenario for a 2-PLP TDM may be to have one service targeting mobile reception, and another service targeting stationary reception. With the use of multiple subframes, the mobile service could use the 8K or 16K FFT size for improved robustness. A denser pilot pattern can provide better time and frequency interpolation of the channel leading to better channel estimation and higher mobile performance. Conversely, the service targeting stationary reception could use a 32K

REFERENCE

FFT for better efficiency and a less dense pilot pattern since mobility is not a priority for that service. In this way, there is great flexibility in combining TDM with multiple subframes.

Two examples for combinations of subframes and multiple PLPs are noted below:

- 1 PLP in subframe 1 (8K FFT), 1 PLP in subframe 2 (32K FFT, example above)
- 1 PLP in subframe 1 (8K FFT), 3 PLPs in subframe 2 (32K FFT)

While the use of PLPs spanning multiple Sub-frames within the same frame is allowed in NEXTGEN TV, this option should be used with care. Remember the standard mandates that Sub-frames containing the same PLP are of the same type, as in it is not allowed to map the same PLP to Sub-frames containing different FFT sizes for example. Therefore, it is recommended that broadcasters consider that up to 4 subframes per frame are likely to be supported by receivers, where the PLPs are completely contained within each subframe do not span multiple subframes within the same frame.

Time Interleaving Modes with Multiple PLPs

Each PLP will be configured with one of the following time interleaver modes of no time interleaving, Convolutional Time Interleaver (CTI), or Hybrid Time Interleaver (HTI) mode. The time interleaver mode for a PLP is indicated in the L1-Detail signaling within the Preamble.

When, as determined at the input to the time interleaver, a complete delivered product is composed of only a single constant-cell-rate PLP or is composed of a single constant-cell-rate PLP, the PLP(s) comprising that complete delivered product must be configured with one of the following time interleaver modes of no time interleaving, CTI mode, or HTI mode.

However, if the input to the time interleaver is a complete delivered product is composed of PLPs having characteristics different from those described in the preceding paragraph, the PLPs comprising that complete delivered product must be configured with only no time interleaving or HTI mode, but not CTI mode.

The time interleaver modes for PLPs of a particular complete delivered product (as has been mentioned a complete delivered product represents all of the data as in, video, audio, captions, signaling, etc. that form a complete product must be configured independently of the time interleaver mode(s) for the PLP(s) of any other delivered products transmitted within the same RF channel.

When a particular delivered product is contained over multiple PLPs and those PLPs may be configured with the same or different time interleaver modes (i.e., no time interleaving and/or HTI mode) with the same or different time interleaver parameters. Other requirements and constraints apply in more arcane uses of HTI in PLPs containing a complete delivered product that span multiple PLPs utilizing HTI and are beyond the scope of this higher-level explanation. Also,

REFERENCE

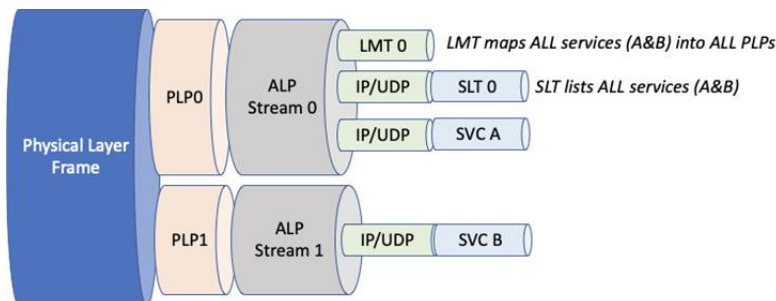
there constraints required in the use of interleaver modes with Layer Division Multiplex mode which will be covered in a future section on that subject.

As mentioned, any PLP can be configured with the no time interleaving mode. When the no time interleaving mode is configured for a PLP, that PLP does not consume any time interleaver memory resources. There may be certain use cases where it may be desirable to completely disable time interleaving for one or more PLPs, since time interleaving does introduce an additional amount of time latency. However, disabling time interleaving also removes any performance benefits obtained from time diversity. It is therefore recommended that broadcasters do not configure the no time interleaving mode unless they are very certain that it is applicable to the particular use case under consideration.

MULTIPLE PLP CONFIGURATIONS

To help understand the wide range of signaling options available when configuring multiple PLPs using ATSC – A/331 as a reference please note the valid configurations below. There are many possible variations available, and a receiver should be able to decode and build a complete service carried within four PLPs transmitted at one time. Although sixty-four PLPs may be transmitted at one time in a single channel, receivers likely only four. The major purpose of multiple PLPs is to provide for disparate modulation and coding options and capabilities within one channel.

Multiple Subframes within a Frame



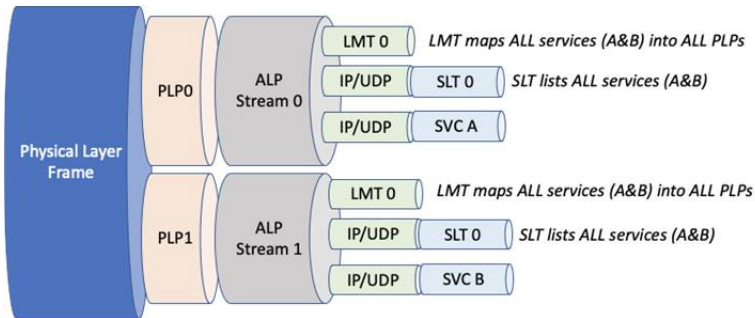
Courtesy: Pete Van Peenen and Luke Fay

NOTE:

Use Hybrid Time Interleaver in this scenario to tie Service Components together. ESG should be placed in PLP0 for this case.

REFERENCE

Duplicate SLT: 2 PLPs, 1 SLT over each PLP, 1 LMT over each PLP

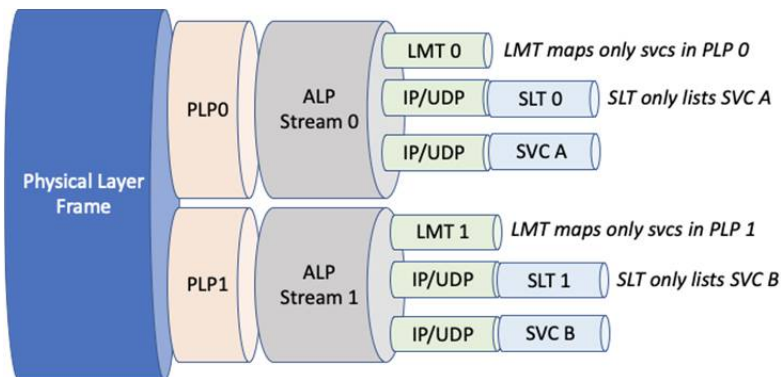


Courtesy: Pete Van Peenen and Luke Fay

NOTE:

ESG for each Service needs to be parsed into the separate PLPs. LMT's being combined removes proper LLS_GroupId operation

Separate SLTs: 2 PLPs, 2 SLT on each PLP, 2 LMT on each PLP



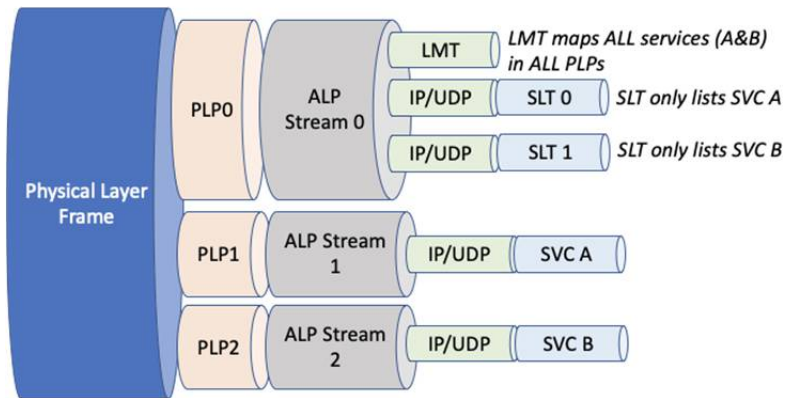
Courtesy: Pete Van Peenen and Luke Fay

NOTE:

ESG for each Service needs to be parsed into the separate PLPs.

REFERENCE

Dedicated PLP for signaling: 3 PLPS, 2 SLTs on PLP0, 1 LMT on PLP0



Courtesy: Pete Van Peenen and Luke Fay

NOTE:

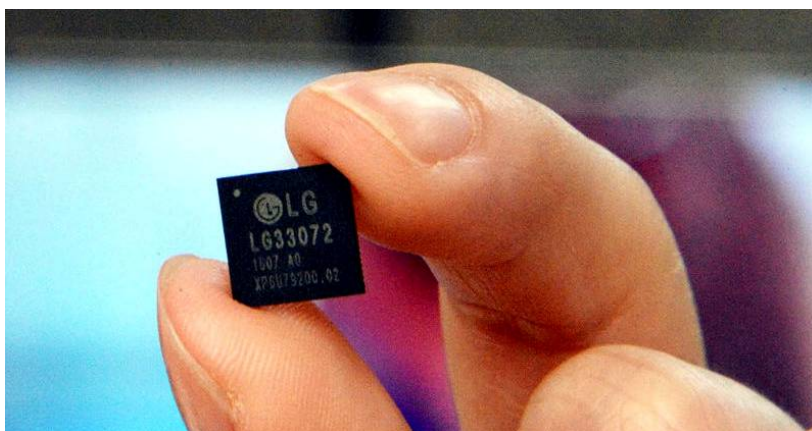
Use Hybrid Time Interleaver for these MPLPs if QoS is split across Service components.
Recommend ESG be put in robust PLP0.

REFERENCE

NEXTGEN TV Receiver Overview

OVERVIEW

To help obtain a basic understanding NEXTGEN TV receivers, the concepts shown in the sub-headings below are provided in a logical functional or conceptual form. Any functional diagram covering the NEXTGEN TV receiver's reception, transport, discovery, or decoding are in-reality, based in software logic contained within integrated circuitry. Software found in the form of firmware provides this functionality. Therefore, the specific functions that are accomplished within any given receiver can only be generalized. The actual physical management of a NEXTGEN TV transmission, its discovery and content decoding are unique and proprietary to each receiver's manufacturer. The explanation provided below is only meant to provide a very basic or generalized insight into the successful reception, service selection and decoding functionality required to deliver a Complete Program and other services to the viewers.



NEXTGEN TV RF (Physical Layer) Demodulator Integrated Circuit or “tuner chip”

One of the unique aspects of actual manufacturer implementations is the use of only certain attributes of the service signaling while just referencing others only occasionally. This is often done to speed signal and service discovery during channel changes or to provide more stable component or service rendering. This is just one form of unique implementation in receivers. In NEXTGEN TV there are many unique ways of accomplishing the same end.

Given the unique implementations, a NEXTGEN TV receiver's functionality can be best viewed at a very high level as being made up of three very basic sections of Physical Layer - RF Tuner, Signaling and Media Presentation.

REFERENCE

The Physical Layer - RF Tuner section provides the viewer's selection of the RF receiving frequency that then needs conditioning, correct and demodulation into the original NEXTGEN TV UDP IP stream while using the Physical Layer's modulation and coding characteristics found the signaled found in the transmission's L1 Preamble signaling.

The next section describes the transmission's Signaling. It will provide how it is extracted and parsed into the critical Link Mapping Table (LMT), Service List Table (SLT), as part of the Low Level Signaling and the Service Layer Signaling (SLS) with their embedded attributes. The purpose of NEXTGEN-TV signaling is to deliver instructions and metadata attributes that the receiver will require to discover the constituents of a Complete Program Service as well as other critical information such as media playout timing or component stream requirements such as Content Security attributes or Broadcaster Application content locations.

Finally, the Media Presentation section will describe how the component streams that make up a Complete Program Service are first identified within the demodulated UDP IP stream and converted from their associated multiplexed ISOBMFF media segments. After being buffered, they are stitched back together to provide a complete media presentation of video, audio, and closed captions. Other critical data that must also be signaled, discovered, and managed is an Electronic Program Guide as well as possibly an Application, Advanced Emergency Alerting or Broadcaster Application data.

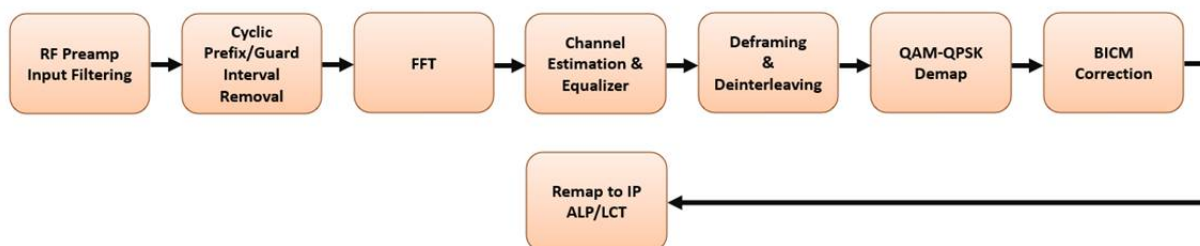
For the purposes of this explanation, only the more common ROUTE/DASH transport case is described. However, MMT is a perfectly viable and supported transport in NEXGEN TV. The Physical Layer demodulation as well as the concepts of media component stream segmentation, UDP IP delivery and media decoding are generally similar to ROUTE/DASH transport. However, with MMT the higher-level transport and signaling is quite different.

PHYSICAL LAYER - RF TUNER

The RF-based, Physical Layer portion of the receiver is summarized in the graphical block diagram provided below. The actual RF section of most modern television receivers have very few components and are likely contained within a single or very few integrated circuits that provide all the functionality required. In these receivers the actual technology utilized is what is known as an SDR or a Software Defined Radio. Functions such as frequency selection, filtering and nearly all the logical functionality described below is based in the form of firmware held within the receiving circuitry. However, it is still interesting to understand what goes on inside these devices because it will provide insight into what impacts the receivability of the Complete Program Services and data in any NEXTGEN TV receiver.

REFERENCE

The selection of the frequency (channel) is also provided in this block with its control coming from the receiver's control system's channel/service map. This map would have been created when the receiver accomplished its channel scan that all modern receivers are required to execute before becoming operational.



NEXTGEN TV RF (Physical Layer) Tuner and Demodulator Functionality

RF Preamplifier and Input Filtering

The first block shown within the diagram above contains an RF preamplifier and input filter. This amplifier increases the level of the signal that arrives to the receiver. It also passes through a software-based filter to minimize the impact of strong adjacent signals by reducing the spurious products created by intermodulation with other unwanted transmissions. This desirable reduction in interference from unwanted signals improves receiver selectivity. Also, Automatic Gain Control (AGC) is applied within this block to provide the optimal amount of gain in signal level that will improve receivability in areas of large differences of signal level. The tuning to the frequency (channel) selected by the viewer is also provided within this block with its control coming from the receiver's control system's channel/service map. This map would have been created when the receiver did its channel scan that all modern receivers are required to accomplish before becoming operational.

Cyclic Prefix and Guard Interval Removal

The next block shown in the diagram removes the signal's Guard Interval, which contains the Cyclic Prefix. The Guard Interval has already accomplished its purpose during the transmission in providing inter-symbol isolation thus reducing inter-symbol interference. The removal of this redundant signal now simplifies the circuitry later in the demodulation processing.

FFT (Fast Forward Transform)

The next block in the RF Tuner applies the Fast Forward Transform calculation to the received RF signal. To review, the Inverse Fast Forward Transform found in the broadcaster's transmission equipment changed the frequency-based data representation as found in the QAM or QPSK modulated signal into the time domain. This block in the receiver now provides the inverse

REFERENCE

calculation which now changes the time based, multiple carrier signal back to its original frequency domain. This transformation is the very basis of how OFDM works. Also, also, prior to the overall signal's FFT calculation, the Continual and Scattered Pilot carriers are removed from the received signal and sent to the next block separately. They will serve a very critical role in Channel Estimation.

Channel Estimation and Equalization

The next block in the receive chain is given a name that may be misleading or confusing. However, it is one of the most important functional blocks in the RF receiver.

What is required is an explanation as to what is meant by "channel" in this regard. In communications theory, a "channel" is the transmission medium in which the transmitted data is sent and is not an indirect reference to the transmission's frequency or logical reception number as found in a more common television channel definition.

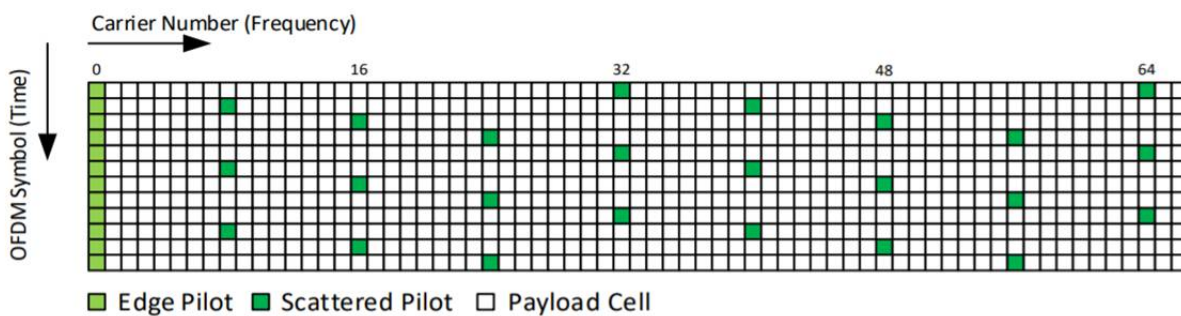
Determining the signal impairment characteristics of a communication's "channel" is critical to accurately recover the signal with the greatest fidelity and accuracy. In the real world this "channel" is always changing in amplitude and phase impairments on its path to the receiver. These impairments are also highly dynamic. There is common noise that comes from many other electro-magnetic sources as from the Sun and common devices found in our environment. There are also multipath signals that occur when the transmitted signal takes more than one path to the receiver. These various signals will appear at the receiver at different times that may cause accretive, but more likely destructive influence on the signal's fidelity. Worst yet, the additive components have an impact both in the phase and amplitude of the resultant carriers found within an COFDM transmission. These errors also do not impact each of the carriers equally over frequency or time as well. This will have a detrimental impact on the accuracy and receivability of the signal beyond what may be recovered by corrective coding found later in the receiver. Lastly, within this block, the multipath sourced signals (arriving as mentioned at varying times) can be detected and delayed by an inversely variable time and added together to improve the receivability of the signal. This is one of the major advantages of OFDM transmission in which multipath signals can detected and then be "equalized" (in delay) and used to reinforce the signal's receivability.

So, determining the characteristics of the transmission medium or channel dynamically using defined and predictable pilot reference will provide all the information required to correct the impaired the signal in delay, phase, and amplitude. This detection and ultimate correction of the signal improves the transmission's receivability. Some of the errors are short lasting in time while others happen over a longer period. Therefore, the sources of the signal's reference must serve all forms of channel impairment conditions.

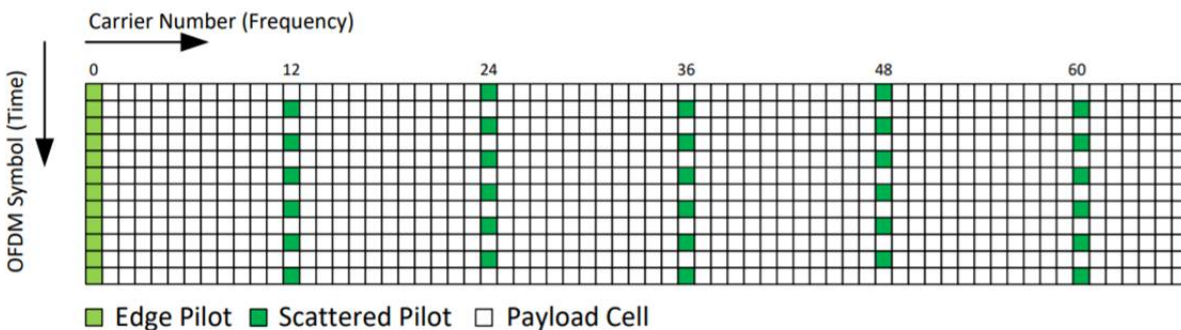
REFERENCE

The pilot references used within the signal come in two forms. The first is a Continuous Pilot that appear at fixed subcarrier locations amongst all the payload carriers in each symbol. In addition, there are Scattered Pilots that are found in a fixed repetitive pattern and over a range of symbols that repeat at a constant and stated rate. The Continual and Scattered Pilot locations, level and phases are provided to the receiver within the L1 Preamble signaling.

Two of the possible 16 patterns for Scattered Pilots allowed in ATSC-3 are shown below. The first digit in the pilot's description denotes its carrier frequency modulo and the second the symbol rate in in time axis as shown below.



Scattered Pilot pattern of SP 8_4. Over 4 symbols the pilot shifts 8 carrier positions



Scattered Pilot pattern of SP 12_2. Over 2 symbols the pilot shifts 12 carrier positions

It should be noted that not all Scattered Pilot patterns are available to all combinations of Guard Intervals and Modulation choices. A chart exists in ATSC A/322 in Table 8.3 “Allowed Scattered Pilot Pattern for Each Combination of FFT Size and Guard Interval Pattern in SISO Mode” that fully describes the allowable patterns for given Guard Interval or Modulation choices. Not all patterns are allowed in all cases because of mathematical relationship created by the Guard Interval’s width in time as well as the number of carriers found in different FFT choices.

All the pilots come in a fixed transmitted amplitude with a phase that can be one of four phases (in quadrature) per orthogonal OFDM transmission. The transmission injection level of the Pilot references is also adjustable by the broadcaster to improve its integrity at 5 different levels. This

REFERENCE

flexibility in injected amplitude comes at a cost, however. The total power of the broadcaster's transmitter is fixed, so increasing the pilot's signal injection level reduces the overall payload transmission level by a proportional amount. A "denser" the pilot pattern selected, the more impact it likely has on the peak payload carrier levels. Also, an increase in pattern density subtracts directly from the physical payload availability and thus reduces data throughput.

So, there is a bit of art and science involved in picking the Scattered Pilot pattern and injection level. The art is in selecting the correct pattern that provides the correction to the channel's errors most likely encountered in a certain market locations or business use cases. The choice must consider issues such as mobile reception (as in Doppler effects) or large multipath conditions for example. Also, as mentioned, pilot patterns impact data payload. The choice of more dense patterns provides greater granularity in channel estimation but may not be worth the increased negative impact to available data payload. It is a balancing act. The density of the pattern in the symbol time axis provides the possibly slower (echo) impairments. Phase and amplitude errors in the carrier-based pilots provide higher speed corrections in phase related and frequency/amplitude errors of the channel.

It must be remembered that the pilots are transmitted in the time domain of the COFDM modulated signal but are applied back to the signal after it has been converted back to its frequency domain. Therefore, there is a considerable amount of complex math associated with this detection, averaging, prediction, and correction of the signal. Luckily, Channel Estimating systems have been become very accurate and their resultant correction more sophisticated because of OFDM's ubiquitous use in mobile phone and Wi-Fi services where channel impairments can be far worse than in NEXTGEN TV transmission.

Deframing and De-interleaving

The next block accomplishes Deframing and Deinterleaving. The framing in utilized in NEXTGEN TV has several time and frequency interleaving options which help in recovering signals that may receive time and frequency-based impairment.

Regardless of interleaved mode selected, the signal carriers need to be put back in the original order (deinterleaved) in time and or frequency axes. The use of interleaving hopefully breaks time or frequency sourced fading into smaller pieces that the error correcting coding contained in NEXTGEN TV can repair.

QAM – QPSK Demapping

Now that all the frames have been put back in the correct order and have been corrected based on the estimated channel impairment, the signal needs to be remapped back from its constellation

REFERENCE

(QAM or QPSK) into serial IP data. That is done in the block. NEXTGEN TV makes use of Non-Uniform Constellations or NUCs, so that is corrected as well in this block.

Bit (de) Interleaving and Coded Modulation (BICM) Correction

The signal has now been returned to its serial data form. The bit interleaving used in the original transmission schema needs to be de-interleaved. The bit-interleaving helps mitigate the impact of errors that come from bit-level impairments within the channel and conversion processes. This is followed by the forward error correction processors that detects errors in the derived data stream and corrects much of the lost or incorrect data using the powerful convolutional coding found in the LDPC coding mode selected by the broadcaster.

Remap to IP – LCT/ALP

The data can now be rate shaped and outputted to the next set of receiver processes roughly equivalent to the LCT layer or Link Layer as required by the receiver’s design that contains the multiplexed ROUTE sessions and signaling.

SIGNALING

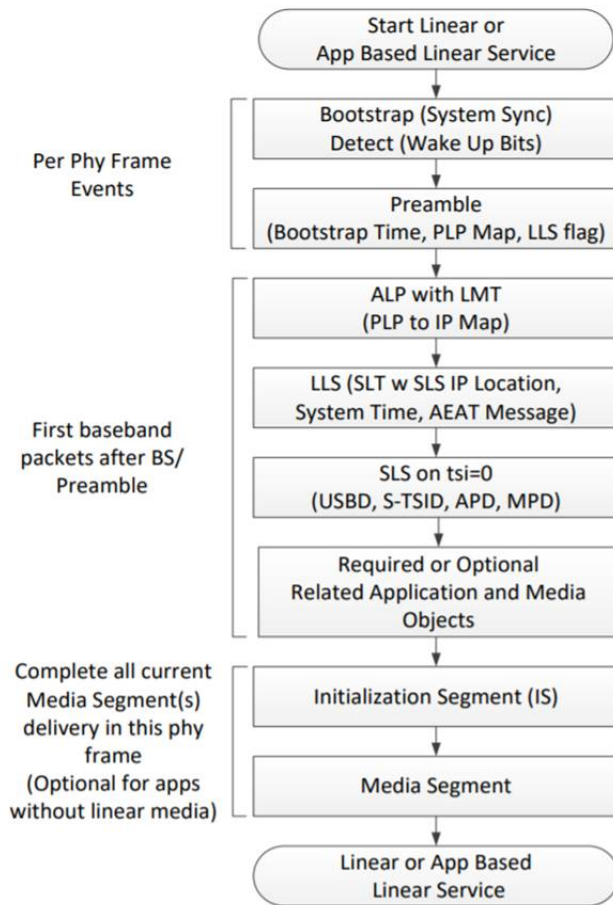
Although the receiver’s Physical Layer – RF Tuner normally resides within a single integrated circuit, the Signaling section as well as the Media Presentation sections (found later in the explanation) functionality reside within one or more equally complex integrated circuits referred to as “SOC” or System On a Chip. It is easiest to understand these devices by thinking of it as a powerful computer with dedicated firmware that can parse the incoming IP stream into Signaling, Media Streams and data. They also contain the media decoder(s) and receiver Control System functionality as well. They service many other functions as well (as in running OTT apps or for media decryption for example) which are beyond this explanation but may be vital operational capability to the receiver.

The explanation of how signaling is implemented found within the ATSC-3 standard’s documents can be difficult to understand. The role it plays in the reception process can be difficult to understand because the explanation of how the signaling is implemented often references other standards not included in the ATSC documentation. The standards documents are also written in a format that assumes the reader has prior knowledge of how this signaling may be used within the receiver. In short, the standards are focused on the semantics and structure of the signaling, but not on how it may be utilized, particularly within a receiver. Obtaining an understanding of how a viewer’s receiver might use these important tables, fragments and attributes may seem to be a bit of an academic exercise. However, a very basic understanding of their importance gives the reader an appreciation of why ATSC-3 is one of the most sophisticated and flexible systems available to the broadcaster.

REFERENCE

No attempt is made in this explanation to provide how all the signaling may be used in particular receiver designs. Some of the information contained in the signaling is frankly redundant and/or not even required by some receiver designs. So, this high-level explanation focuses on how the receiver might use the available signaling.

Looking from a very high level, the order in which the receiver will make use of each of the signal's major Lower Level and Service Level Signaling in obtaining and displaying a service is shown in the flow diagram below.



Simplified NEXTGEN TV Receiver Signaling Flow Diagram

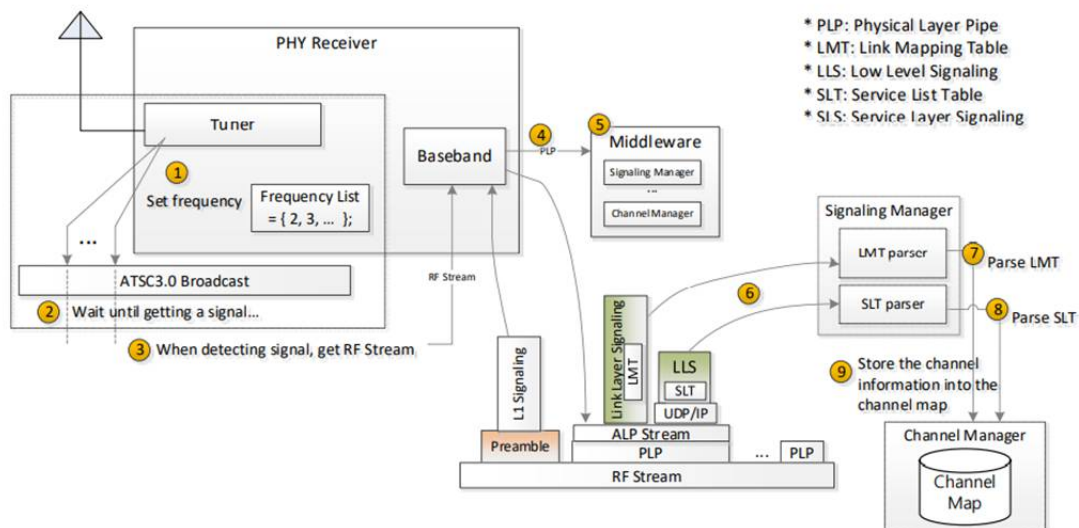
Using the controls of the television receiver, the viewer can select the frequency and specific Complete program Service by communicating through the receiver's management or operating system software. The selected RF channel that contains the desired Complete Program Service

REFERENCE

will be then demodulated and decoded from its multiplexed IP stream. making use of the signaling found within the IP stream. The logical location of the required components within the stream is identified in the Low Level Signaling (LLS) within the Service List Table (SLT) (which also points to the location in the IP stream of the required higher level Service Layer Signaling - SLS). The specific locations of the service's component streams are indicated within the SLS. Once these components are identified, parsed, and cached, the playing characteristics (media segments required, time of play etc.) are then retrieved by the receiver's DASH player and the decoded by the receiver's decoder for display.

Further below is a generalized block diagram showing the order of selection by the receiver's operating system (called middleware in the diagram below) of which major signaling system to use (e.g., LMT, LLS, SLS) and in which order.

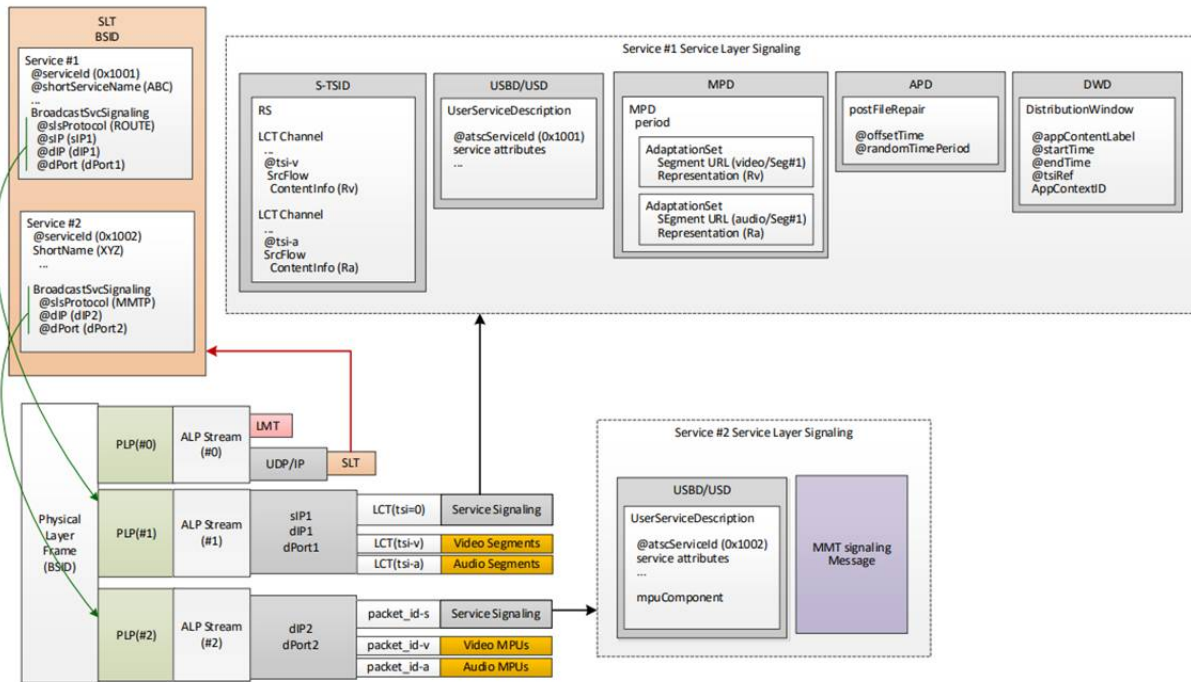
This example has been kept simple. It should be mentioned that the actual components that make up a Complete Program Service including signaling can be spread over up to four Physical Layer Pipes with different Physical Layer characteristics. The location of each component and service is provided to the receiver inside the SLS fragments and attributes.



Signaling's Role in the Order of Actions Required in Provisioning a Complete Program Service

The additional graphic below provides more insight into how the Services are identified by first being identified in the SLT, which points to the SLS that provides the detailed fragments (specifically the USBD, S_TSID and MPD) required to locate all the relevant streams.

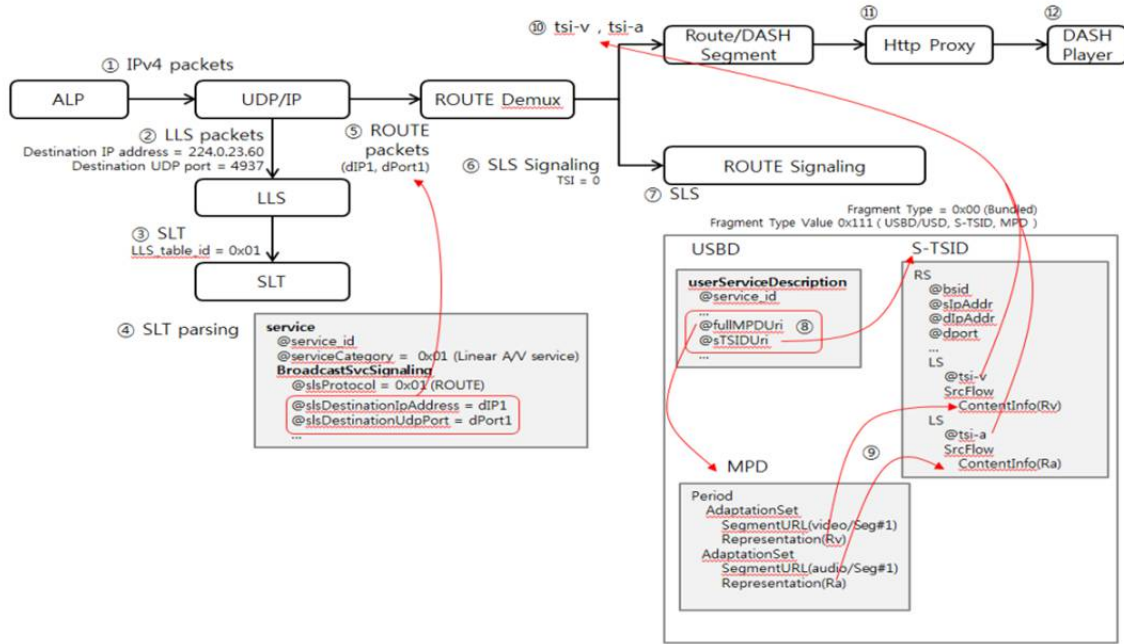
REFERENCE



Simplified ROUTE/DASH Media and Data Signaling Shown in a Logical Layer Form

As a further explanation, the diagram further below shows the roles of the signaling tables and fragment and attributes shown in a signal flow form that indicate how the signaling attributes identify the appropriate media segments for playout for a Complete Program Service. The signaling identifies the location within the transmitted IP of the media streams in the form of multiplexed media segments that are delivered ultimately to the receiver's DASH player for ultimate presentation.

REFERENCE



Simplified Flow Diagram of Service Signaling of a Complete Program Service

MEDIA PRESENTATION

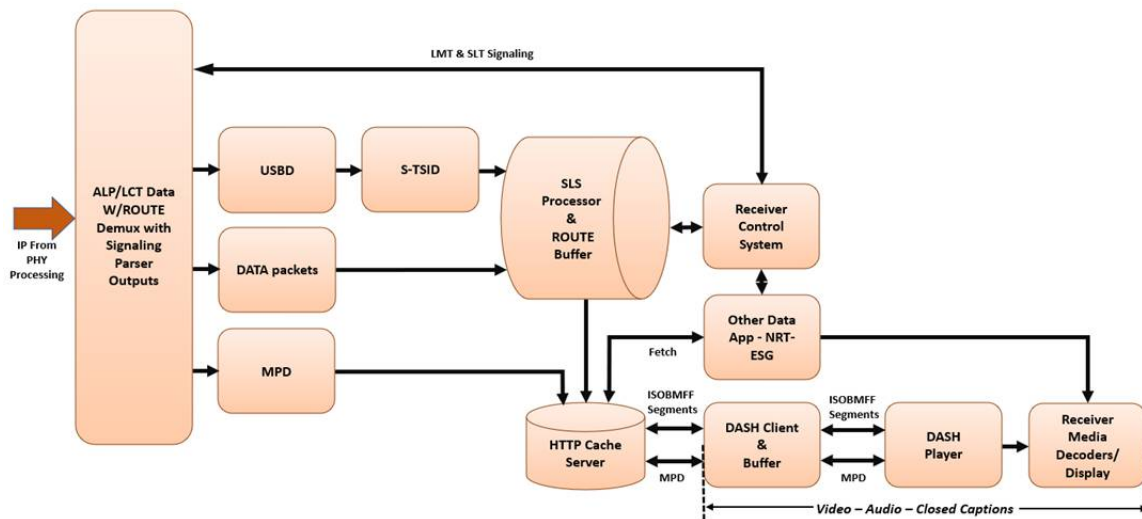
The last general section of the receiver provides the Media Presentation to the receiver's display. It parses the serial IP data stream into the various required media component streams. They are in the form of segment periods that are cached by the receiver's logic, so it can ultimately be buffered and stitched together as a service component stream of a Complete Program Stream. It will be joined by other component streams to make up a Complete Program Service for presentation at the assigned and synchronized display time by the receiver's DASH player. These component streams are then sent to the appropriate media decoders for ultimate display. It does this while responding to the receiver's operating system logic to display items such as channel number selection, audio volume, display of closed captioning or even displaying a broadcaster application which is described elsewhere in the manual.

The receiver locates the viewer selected media presentations within the transmissions by keeping an internal map of where the Services reside within the multiplexed stream. The high-level mapping of channel frequency and Service Identification is determined by sampling the transmission's Low Level signaling (LMT and SLT specifically) during the initial service scan all modern receivers must complete before becoming operational.

REFERENCE

As seen in the graphic below, when the viewer's selection of Complete Program Service is provided by the receiver's control system, the required multiplexed component streams are parsed from their logically based LCT Channel streams by the ROUTE processor and ultimately stored in a local http cache which are identified by and IP or URL address. The selected component stream, when required, can be fetched, and sent to a DASH buffer and client (often requiring a complete segment before presentation). These segments are stitched seamlessly with the previous segment in the DASH player and ultimately passed to the media decoders (as in HEVC and AC-4 and IMSC1) for presentation and display.

Although many signaling tables, fragments and attributes are required in the overall acquisition and presentation process, three fragments of the High Level, Service Layer System (SLS) are the most important to this process. Those three are the User Service Bundle Description (USBD), User Service Bundle Description (S-TSID) and Media Presentation Description (MPD).



Simplified Media and Data Parsing and Media Playback in a DASH Transport System

The USBD describes basic properties of the Service component such as its Service Identifier, status, name, associated language(s) and delivery method (broadcast or broadband). It includes the all-important source and destination IP address and port for the associated ROUTE session so that can be retrieved from the receiver's http: cache. It also provides information about the associated LCT channels that will carry either real-time content (DASH Media Segments and Initialization Segments) or non-real-time (locally cached) content.

The S-TSID is an SLS fragment that contains the transport session description information for the ROUTE sessions as well as their LCT channels in which the media content components of a

REFERENCE

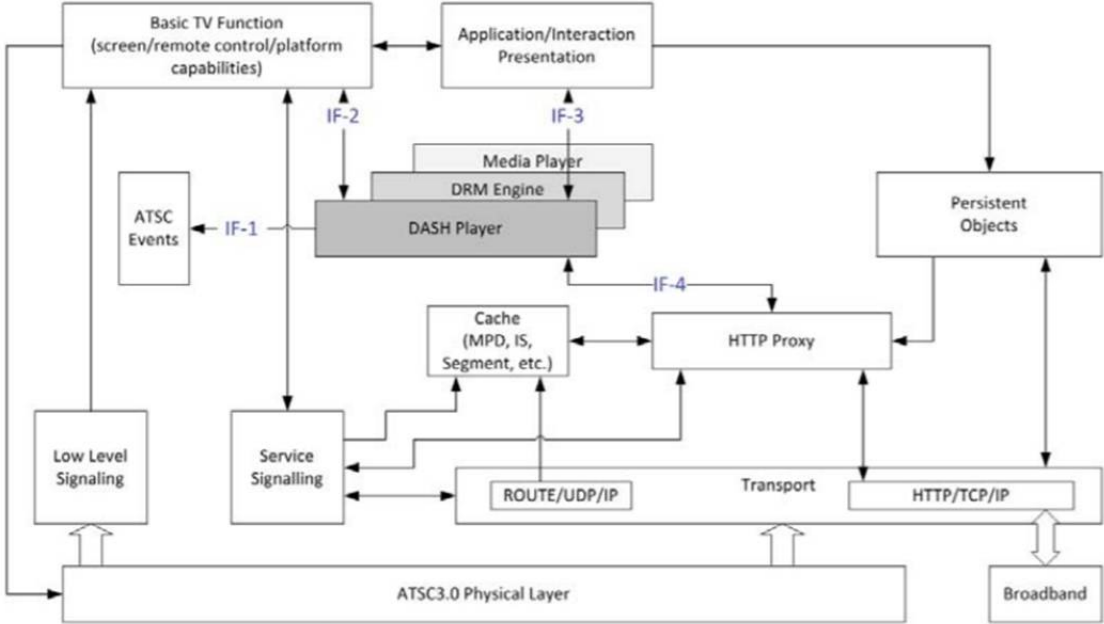
NEXTGEN TV service are located. With broadcast delivery of DASH formatted (segmented) content, the ROUTE session can be considered as the multiplex of individual LCT channels that carry constituent media components of one or more DASH Media Presentations. Within each transport session (LCT channel), one or more objects are carried (typically with related objects), as in DASH segments associated to one stream. Along with each object, metadata properties are delivered such that the objects can be used in application services as with DASH Media Presentations, application content, or other object-consuming applications.

The contents of the Complete Program Service's MPD provides the resource identifiers for segments and the context for the identified resources within the Media Presentation as well as applicable (presentation) playout times based on the receiver's wall clock time (calculated from the derived UTC found in the L1 Preamble) using any applicable and/or required offset as well. In actual operation, one or more of the DASH representations conveyed in the MPD are provided within the broadcast. The MPD may describe additional representations or portions of the service delivered over broadband as in alternative audio sources for example. Also, some elements are included in the MPD that provides information vital for the support of content security. The MPD is one of the most lengthy and complex tables contained within the SLS and is critical for describing the proper presentation of a service.

COMPLETE RECEIVER

To put this all together a much higher-level representation of a complete NEXTGEN TV receiver is shown in the following diagram. The various functional blocks work together in receiving and decoding the incoming COFDM transmission. It does this by first converting the transmission back to its original IP multiplexed component streams. It then separates and parses the various major signaling tables, fragments and attributes. Then utilizing the receiver's management software, it uses the transmitted signal to parse the components from the serial IP multiplexed stream. The receiver caches (temporarily stores) and buffers the media segments. Using the DASH Media Player, the cached segments are buffered and stitched together into a Complete Program Service that provides the continuous streams synchronized, decoded and displayed at the time designated within the MPD signaling.

REFERENCE



Single Frequency Network

NEXTGEN TV powered by ATSC-3 enables a lot of technologies that improve the quality of the signal that provides benefit to the broadcaster and viewer. One of these technologies is a Single Frequency Network (SFN), also referred to as Distributed Transmission System (DTS). In this section we will take the reader through how this technology works while emphasizing its benefits as well as its regulatory requirements.

SINGLE FREQUENCY NETWORK AND DISTRIBUTED TRANSMISSION SYSTEM

Single Frequency Network refers to the more generic concept of multiple synchronized transmission locations, all assigned to the same frequency that cover a transmission area (maybe as large as a whole state for example). However, a Distributed Transmission System is a near identical concept, but more specifically as in the case of broadcast television is associated with a single market coverage area. It does this by using a prime transmission location with the source content being timed and distributed via fiber or microwave to other, same channel transmission locations within that market coverage. For example, the current FCC regulations for use of SFNs by broadcasters are described as the Distributed Transmission System rules.

Now as often happens in popular use of similar terminology, the two terms have become conflated to mean the same concept. In a larger sense a DTS network is a form of SFN, so this conflation is understandable. For the purposes of this explanation and reference within this manual, the use of these two terms will be refer to the same concept.

To fully understand the significance of the use of SFNs in NEXTGEN TV we must understand some fundamentals of data communications interference theory that support how the technology really works. Some of this may not seem relevant initially, but no assumption is made about the prior knowledge of the reader. Also, the underlying capabilities of SFN's can only be fully appreciated by understanding the enabling technology.

UNDERSTANDING THE NATURE OF INTERFERENCE

One of the fundamental enablers of an SFN is interference. Interference is a very maligned word. In a social context, the dictionary tells us it means it is something that interferes as in an obstruction. However, luckily for broadcasters in physics it is the process in which two or more electromagnetic waves of the same frequency combine to reinforce or cancel each other, The amplitude of the resulting wave being equal to the sum (either positive or negative) of the amplitudes of the combining waves.

To show how this might work in practice, we have the double slit experiment created by Thomas Young in 1801. He was a British physician and true genius that had very wide interests in what later would be called physics as well as math. He even is credited in providing help in decoding the Rosetta stone. His interests were very wide indeed.

REFERENCE

In one ground-breaking experiment Young was looking for the “nature” of light as to whether it was fundamentally a wave or a particle. His experiment at the time seemed to support the wave theory which was found to be half true more than 100 years later when it was found really to possess characteristics of both waves and particles. But more importantly, he showed what interference in electromagnetic waves (in this case light) can do. In the image below is shown a version of what the reader would see if a more or less monochromatic light is projected equally though slim slits in a metal sheet that then projected onto a screen behind the slits.



Interference Pattern of Double Slit Experiment

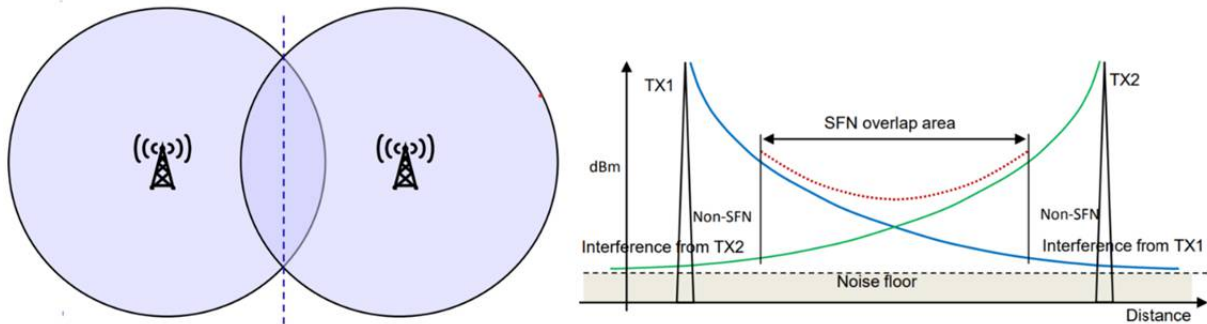
Since that original experiment 200 years ago it has been found there is some very complex mathematics associated with the width and distance between the slits as well as the distance to the screen. These parameters control the timing of the associated waves and their ultimate interference with each other which will prove extremely critical to the SFN use-case.

In this image is shown both constructive and destructive interference. The band in the middle for example is fully constructive that provides nearly double and additive of the level from each light-source from the slits. Of course, the black bands are totally destructive. These waves cancel because the light from the two slits at that point is completely out of phase (as in wave arrival time). So, the secret here appears to be in the timing of the arrival of in this case of the wave fronts coming from the two slits but form a common light source. Light waves, as it turns out, work nearly identically to radio waves. They are both electromagnetic waves whose main difference is mainly in wavelength. So, television transmissions, our Sun and the candle that Thomas Young used as a light source are all the same in their fundamental character.

UNDERSTANDING HOW AN SFN WORKS

Below is a graphical image of two broadcast television transmissions. In this case they have equal antenna height, antenna gain and output power. More importantly, they are on the same channel or frequency. At the right you can see a stylized graph of their coverages indicating the overlap in coverage with resultant interference bounded at both ends by the noise floor. From the coverage map and graph, you might correctly guess the point of maximum interference is equi-distant from one transmitter to the other shown with the vertical line. However, there is also varying levels of interference in all the overlap areas as shown in the right-hand image that are constructive and destructive in nature.

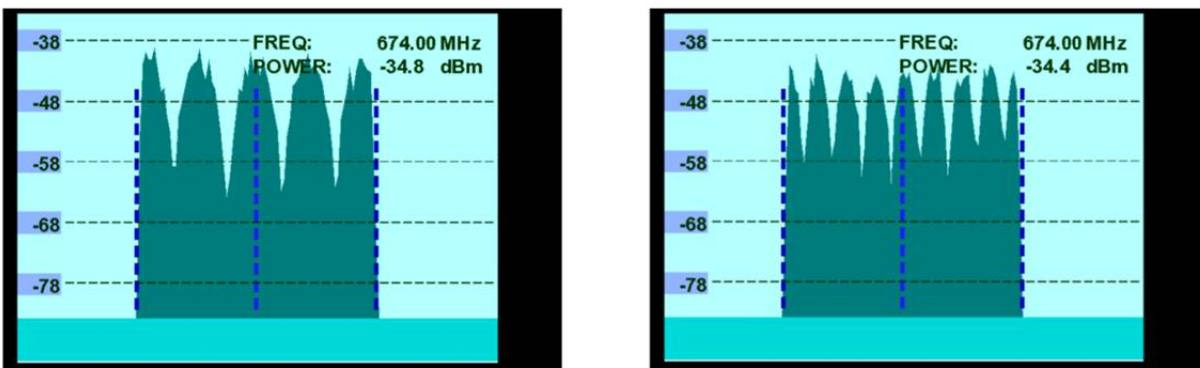
REFERENCE



Results of Overlap of Common Channel Transmissions

courtesy: GatesAir

If we transmit identical signals with identical power from identical heights, using what we have seen from Thomas Young's 1801 double slit experiment we would expect to see both constructive and destructive interference. In the location of maximum interference shown in the image above you will see the left image below of a spectrum display that resembles the results of the two-hundred-year-old experiment in that there is alternating constructive and destructive locations in amplitude. By contrast the right-hand image shows the result of just one transmission being delayed by a very small amount of time.



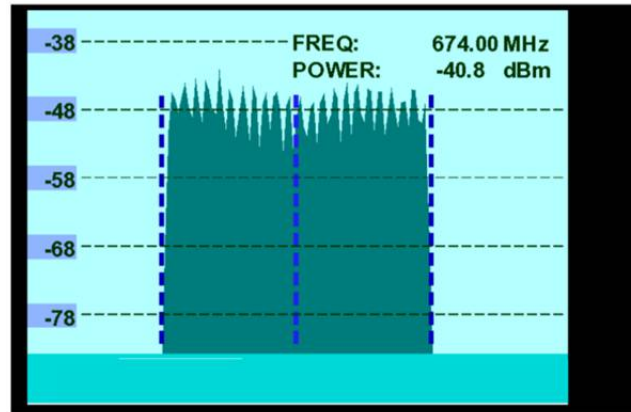
Spectrum Display of COFDM Transmission Interference with Small Delay

courtesy: GatesAir

Clearly, the delay improved the signal level but the variations in amplitude would likely still create issues in receivability that could not be fully corrected. The combined signal likely would still be unusable.

Let's see what the spectrum display would look like at the maximum point of interference that has one transmission's signal fine-tuned to the best possible amount of delay making the resultant interference as constructive as possible as seen in the spectrum analysis below.

REFERENCE



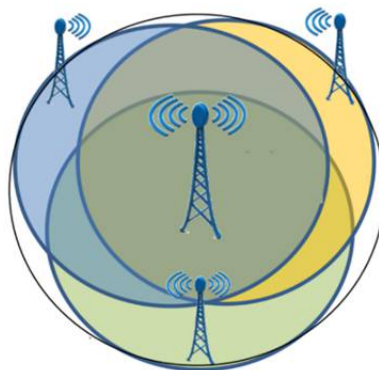
Spectrum Display of COFDM Transmission Interference with Optimized Delay

courtesy: GatesAir

The resultant combined signal has one of the transmissions by delayed by an amount (in the case about 3 μ -seconds). This circumstance maximizes the constructive interference while minimizing the destructive interference. The actual amount of delay required is dependent on the transmission's frequency, interfering signal's distance, relative antenna heights and location.

As long as the resultant residual signal impairment is within the area of correction provided by the coding schemes available within the NEXTGEN TV standard it will improve remarkably the overall signal level. That provides for an optimized S/N making the transmission far more receivable. The Shannon Curve also shows there is also the possibility of using a less robust modulation scheme to improve available bandwidth without sacrificing receivability. In short it improves the broadcaster's options.

SFNs in reality are likely to have even more overlap areas with more than two nodes as shown in the graphic below which makes the tuning of these individual delays a bit more complex, but the overall methodology holds true.



Typical Overlap of Common Channel Transmissions

REFERENCE

SUMMARY OF REGULATORY REQUIREMENTS FOR SFNS (DTS)

Below is a short summary of the regulatory requirements for operating an SFN (referred to as DTS in the FCC Rules and Regulations) of CFR 47 § 73.626 as recently amended.

- All transmitters operating under a single DTS license must follow the same digital broadcast television transmission standard. (73 FR 74063, Dec. 5, 2008, as amended at 83 FR 5022, Feb. 2, 2018)
- The combined coverage from all the station's SFN nodes must cover all of the station's authorized service area.
- Each SFN transmitter's node's coverage must remain within:
 - DTV station's Table of Distances area
 - The main station's authorized service area, or an arc distance defined by the largest station in the market.
 - The overlap (be contiguous) with at least one other of the station's SFN's nodes coverage.
- The coverage from one or more SFN node transmitters must provide principal community coverage.
- The combined field strength of all the SFN node transmitters in a network must not cause interference to another full power or Class A station more than 0.5% of that station's service population.

In January of 2021, the FCC released a Report and Order adopting technical changes to their rules pertaining to the use of a distributed transmission system (DTS), or Single Frequency Networks (SFN), by broadcast television stations. Specifically, this Report and Order replaces the previous, more subjective "minimal amount" standard governing a SFN signal "spillover" beyond a station's authorized service area with a more defined and thus more objective definition approach that the FCC believes will provide certainty required to encourage SFN deployment. The Report and Order also removes the requirement that Class A, low power television (LPTV) and television translator stations must apply for SFN facilities on an experimental basis. It also adopts specific technical requirements governing such stations' use of DTS transmitters.

The FCC's existing rules, a SFN signal was only allowed to spill over a station's single transmitter facility (or reference facility) service area by a "minimal amount." The broadcast industry filed a petition to the FCC requesting clarity in the form of an objective means to determining how much a SFN transmitter could spill outside of its coverage area. This was critical since current transmitter antenna designs always have some degree of power delivered in the opposite direction than what is required thus preventing the placement of SFN nodes close to the edge of a coverage area impractical. This impediment to siting could make practical application of SFNs difficult to achieve.

REFERENCE

In the Report and Order, the Commission agreed with the petitioners that the ambiguous “minimum amount” standard “could inhibit DTS deployment” near the edge of a reference facility’s coverage area due to the current rules lack of clarity in this regard. The FCC did not agree with the metrics suggested by the broadcasting petitioners but did adopt a methodology that is both more liberal and objective than any definition of “minimal”.

The Report and Order (rule change) now allows spillover defined as follows:

- UHF stations must ensure that the 41 dBu F (50,50) contour for each SFN transmitter does not exceed the reference facility’s 41 dBu F (50,50) contour.
- Low VHF stations must ensure that the 28 dBu F (50,50) contour for each SFN transmitter does not exceed the reference facility’s 28 dBu F (50,50) contour; and
- High VHF stations must ensure that the 36 dBu F (50,50) contour for each SFN transmitter does not exceed the reference facility’s 36 dBu F (50,50) contour.

The Report and Order emphasizes that although the Commission is increasing a station’s permitted SFN spillover area, this increase does not expand a station’s area of interference protection as noted above

The FCC’s defined approach brings greater regulatory certainty to the original SFN rules that now allows service area spillover “where such extension of coverage beyond the station’s authorized service area is necessary to achieve a practical design.”

Further, the Report and Order eliminates a prior FCC requirement that obligated Class A, LPTV, and television translator stations to apply for DTS facilities on an experimental basis before operating.

These stations may now pursue DTS operations, if they meet the following contour-based limits defining acceptable DTS spillover:

- DTS transmitters must be located within the authorized F(50,90) contour for the station; and
- The F (50,50) contour of each DTS transmitter must be contained within the station’s F (50,50) contour “based on currently authorized technical parameters. . . .”

REFERENCE

PHOENIX MODEL MARKET SFN TESTING

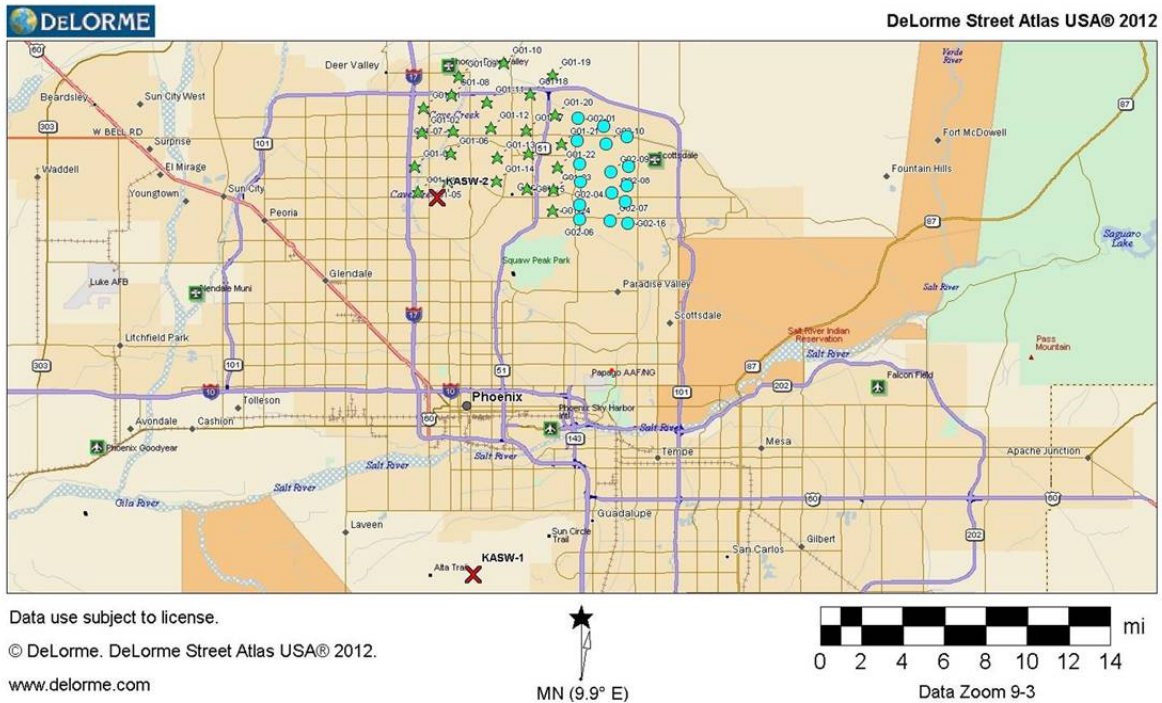
In late February and early March of 2021, the firm of Meintel, Sgrignoli and Wallace (MSW), on behalf of the Phoenix Model Market Partnership, managed by Pearl TV, conducted field testing of a Single Frequency Network (SFN). This SFN was built on behalf of Scripps Television, KASW in Phoenix. KASW also acts as an ATSC-3, NEXTGEN TV host station.

KASW is a CW affiliate and licensed to the Phoenix market. Its primary transmission site is located on South Mountain (KASW-1) transmitting on physical channel 27 at a power level of 445kW ERP. This primary transmission location is about 8 miles south of the center of downtown Phoenix. Its horizontally-polarized antenna also contains an additional vertically-polarized 110 kW ERP component. Additionally, the SFN is served by a smaller, synchronized in time and frequency, simulcast transmission site located on Shaw Butte (KASW-2) that transmits at a horizontally-polarized transmission of 18.5 kW ERP. This location's antenna contains an additional vertically-polarized 4 kW ERP component located approximately 18 miles northerly of the primary South Mountain transmission site. A single PLP with a high data rate (24.04 Mbps) and high AWGN threshold (16.5 dB) was utilized for this test, providing a relatively sensitive type of reception test.

The two transmission antenna transmission patterns were designed to intentionally overlap each other. Their transmission signals are timed (in frequency and time) such as to interfere with each other in a positive or additive fashion and thus improve viewer's resultant signal level, service margin and receivability within their transmission overlap area. This is the very basis of an SFN-intended design. The improvement in signal level (including inside potentially shadowed areas) and service margin translates into a marked improvement in the signal's signal-to-noise component. This improvement in S/N margin can be used by the broadcaster to improve receivability (as in increased coverage) or it can be traded with the built-in optionality provided in NEXTGEN TV in the form of improved data carriage bandwidth.

The recent testing was devised to test 40 locations (in an approximate grid) within the SFN's transmission overlap area. An omnidirectional receive antenna was purposely used in the test to ensure the reception was taking full benefit of both transmission signals within the overlap area. Using a calibrated, first-generation commercial receiver, signal levels, margins and receivability metrics were taken at each of the 40 locations with a receiver antenna height at 30 feet above the local ground (roughly 10 meters) to compare with FCC OET methodologies and at 12 feet above local ground (roughly 4 meters) to better represent a likely antenna height found in most viewer circumstances. (see map below)

REFERENCE



SFN Test Location Map

Overview of Findings:

- The measurements were taken with just the main transmission site on the air and then with both nodes of the SFN transmitting to help identify the impact of the additional site to the SFN design and performance at each location.
- Improvements in signal level and service margin were found in most test locations when the SFN nodes were both transmitting. Absolute error-free reception with SFN ON was at 80% (32 out of 40 total sites with both KASW-1 and KASW-2 on), but that improvement (sites that had reception with SFN on but no reception with SFN off) was observed at 35% of the sites (i.e., 14 out of 40 total sites).
- Some sites (as noted in the full report) had reduced receivability with the second SFN node on. A possible explanation is noted in the last bullet.
- The median Field Strength for the 40 test sites increased (improved) by about 16 dB with the SFN on versus off at 30 feet with about the same difference in level of 12 feet above local ground antenna height.
- The measurements were taken with just the main transmission site on the air and then with both nodes of the SFN transmitting to help identify the impact of the additional site to the SFN design and performance at each location.
- Improvements in signal level and service margin were found in most test locations when the SFN nodes were both transmitting. Absolute error-free reception with SFN ON was at 80% (32 out of 40 total sites with both KASW-1 and KASW-2 on), but that improvement

REFERENCE

(sites that had reception with SFN on but no reception with SFN off) was observed at 35% of the sites (i.e., 14 out of 40 total sites).

- Some sites (as noted in the full report) had reduced receivability with the second SFN node on. A possible explanation is noted in the last bullet.
- The median Field Strength for the 40 test sites increased (improved) by about 16 dB with the SFN on versus off at 30 feet with about the same difference in level of 12 feet above local ground antenna height.
- The median Service Margin for the 40 test sites increased (improved) by about 6 dB with the SFN on versus off at 30 feet and about 10 dB (improved) at the 12 feet above local ground antenna height.
- Service Availability (completely error free reception) for the 40 test sites increased (improved) with the SFN on by about 22% for 30 feet and 15% at the 12 feet above local ground antenna height.
- The failure analysis for the sites that did not have an improvement in their Service Availability (noted earlier) showed that apparently the intentional use in the test of an omnidirectional antenna, which was chosen specifically to maximize the additive nature of the SFN nodes, appeared to unintentionally contribute to the failures at these locations. The lack of signal direction discrimination of the omni receive antenna allowed reception of additional echoes above the receiver's threshold from both stationary and moving reflective surfaces to be included additively in the receiver's input signal.
- Further testing showed that with the alternative use of an antenna with modest gain (directivity), the echoes could be lowered, and error free reception would be easily restored in most of those locations. It is likely in a real- world situation an actual viewer's television antenna would likely provide at least modest directionality and prevent this type of loss. This lesson also shows that greatly improved signal level and margin are not the only metrics important to error-free NEXTGEN TV reception.

This initial testing is really encouraging, but also created some questions that will need to be answered in future testing. The filtering and echo cancellation used in more modern receiver implementations needs to be tested to see what impact they might have on improving the increase in negative interference that can result from increased numbers and signal strength of moving and stationary echoes. Additionally, it is also understood from previous industry testing that more robust PLPs would be highly likely not be affected by this additional multipath effect.

The selection testing locations required always being near relatively busy roadways. Although that is a real-world condition, possibly that reduced the receivability found in a less hostile receiving environment (from a dynamic reflection point of view).

The testing was using a two node SFN in a sparse configuration (relatively large distances between nodes and relatively high power). Additionally, testing should be done with more nodes in both sparse and dense (more nodes closer together at lower power) to see both the problems they alternatively create and solve. The full 47-page report containing the SFN test results with far more detail may be downloaded at <https://pearlTV.com/station-resources/> .

Virtual Machines

Nearly all encoding, transport processing, and transmission preparation used within NEXTGEN TV makes use software-based solutions. Said in an alternative form, specific task-dedicated hardware is generally not utilized in NEXTGEN TV transmission equipment from the video and audio input processing and encoding through the transmitter's exciter.

This provides several advantages including the ease of remote support, configuration, update and troubleshooting. It also allows for the use of commodity, off-the-shelf hardware that has sufficient computing power and memory to execute the complex requirements used within the NEXTGEN TV transmission. Also, the use of commodity services allows for flexibility in the selection of the hardware that may host the dedicated software packages to provide the processing required.

As well, nearly all NEXTGEN TV transmission software packages allow for their execution in a construct known as a Virtual Machine. This terminology may not be familiar to you. Therefore, provided below is an explanation of what a Virtual Machine is and why is an extremely important part of enabling NEXTGEN TV capabilities and flexibility.

A Virtual Machine is a virtual computing system which operates within a larger physical computer or server.

A basic computing system is made up of a computational unit (processor), memory, input/output (as in display, keyboard, and networking) capability as well as mass (permanent, no-volatile) storage. In a virtual environment a physical computing system (usually a server) can distribute or share resources from the physical hardware domain contained in each Virtual Machine. As you no doubt guessed, a physical server normally serves several Virtual Machines at a time within a virtual environment. The distribution of the physical server's resources is set by the user to meet all the application's requirements, so specific limits can be set in terms of CPU that can be used, memory required, or storage space allocated to each specific Virtual Machine. Usually, these settings are created and applied during the installation/setup of the Virtual Machine.

The management of the shared facilities is accomplished via a construct known as a Hypervisor (from hyper meaning "over" and visor, a "cover" as in a helmet face piece used to protect) that oversees the server's resource allocations and isolates each Virtual Machine logically to prevent problems that occur in one application from impacting the applications running in other Virtual Machines within the same server. This not only improves the overall systems stability should each individual process have a problem, but it also enhances security such that breaches in one Virtual Machine's application does not migrate to another Virtual Machine within the same physical server.

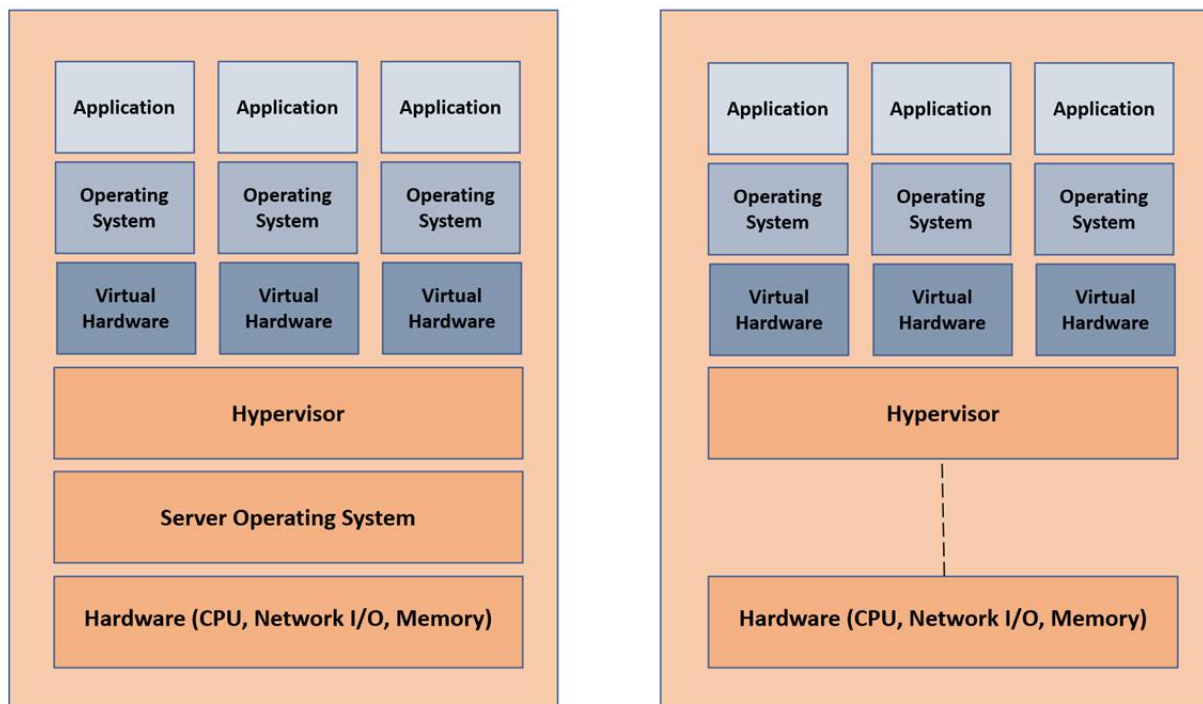
The Hypervisor does many other things that makes the use of Virtual Machines advantageous. For example, the Hypervisor isolates the operating system on the server from the one required to host

REFERENCE

the Virtual Machine's application. Therefore, the underlying server may be running Windows Server operating system, but a Virtual Machine contained within it may run Linux for example. This capability also allows other Virtual Machines on the same server from running completely different operating systems from each other as well.

Also, should one application require replacement or updating, it likely will not require any change external to its Virtual Machine unless there is a change required to its virtual hardware allocation which is done within the Hypervisor management layer.

The Hypervisor environment runs as a layer within the host computer's (server's) operating system or alternatively may run within or as part of the base operating system as with a Linux kernel-based Hypervisor. This second form is also sometimes called a "bare metal" host. In this form the base operating system is also acts the Hypervisor. Above the Hypervisor level the operation and overall capabilities are otherwise the same. Bare metal installations are more popular in NEXTGEN TV installations because they are somewhat simpler to install, but both forms have their advantages.



Operating System Hosted Hypervisor

Bare Metal Hosted Hypervisor

Virtual Machines are also portable making backup and movement from one hardware device to another quick and easy should a failure occur, or a hardware upgrade is required. The Hypervisor

REFERENCE

usually provides a means for the user to make an copy of the Virtual Machine's "image". This image provides all that is needed (if installed in another Virtual Machine environment) for installation.

This capability makes for simplified backup of the equipment's capabilities. Off-the-shelf servers can be kept in reserve with or without virtual images of the software already installed of the primary facilities already provisioned and placed into operation quickly in the case of failure.

The Hypervisor makes use of the underlying hardware resources in a very efficient manner. While installing a new Virtual Machine's services, the user will allocate what is required in each of the important parameters of memory, disk space and so on. The Hypervisor will manage these resources in a manner that even allows for oversubscription of some of these resources. This is possible because likely each service does not need all that is required of each service all of the time. Therefore, the Hypervisor can thus share the physical resources as requirements ebb and flow.

The use of Virtual Machines also allows in many cases for the application to be run in larger off-site facilities such as found in a cloud-based facilities as with Amazon Web Services or Microsoft Azure or many others. With Virtual Machines, sharing of resources in a larger environment either locally or within a cloud-based facility can make for greater efficiencies overall.

Definitions

This section contains areas of interest that are important to be considered in understanding acronyms and terminology used in ATSC-3 NEXTGEN TV.

2K - a scanning system that is 1080 lines by 1920 horizontal pixels.

3D (3 Dimensional) - in television, it is accomplished by encoding additional data such that the viewer can experience the perception of depth in the image. Images meant for viewing with one eye are encoded separately than the other. Images closer to the camera will be more diverged than imagery that is further away. This creates for the viewer an appearance of depth if each image can be directed to the appropriate eye (as in using special glasses).

4:2:2 - because the human visual system is less sensitive to the color of objects than their luminance component, chroma subsampling can be utilized while encoding video. In this specific case the sampling ratio of Y'CbCr is 4 to 2 to 2.

4:2:0 - in this scheme the chroma subsampling in each horizontal line is at half the luma rate, while Cb and Cr channels are only sampled on alternative lines.

4:4:4 - in this case the three Y'CbCr components have the same sample rate, thus there is no chroma subsampling is utilized.

4K - a screen scan size that is 2160 lines by 3840 horizontal pixels (4 times the area of 1080 X 1920)

5.1 Channels - in ATSC-1 or NEXTGEN TV, AC-3 or AC-4 audio describes 6 channels made up of Left, Center, Right, Left Rear, Right Rear and LFE (subwoofer).

7.1 Channels - in ATSC 3.0, the NEXTGEN TV Audio system can contain 8 channels which will include those mentioned in 5.1, as well as splitting the surround and rear channel information into four distinct channels, in which sound effects are directed to left and right surround channels, plus two rear surround channels.

8-VSB (8-Vestigial Side-Band) - the single-carrier waveform defined by the ATSC-1 standard and adopted by the FCC use as a digital television transmission standard in 1995.

A/53 - the primary ATSC document governing the ATSC-1 standard.

A/153 - the primary ATSC document governing the ATSC-M/H (mobile/handheld) standard.

AC-3 (Advanced Coding-3) - the descriptor for the audio codec developed by Dolby Labs and used in ATSC-1.

AC-4 (Advanced Coding-4) - the audio compression technology developed by Dolby Labs and used by convention in North America in ATSC-3, NEXTGEN TV.

REFERENCE

AAC- (Advanced Audio Encoding) - An audio coding standard digital audio compression that is designed to be the successor of the MP3 AAC generally achieves higher sound quality than MP3 at the same bit rate.

ACE (Active Constellation Extension) - a methodology for reducing the negative effects of peak to average power ratio in COFDM transmitters, by use of manipulating the constellation to reduce the transmission Peak to Average Power Ratio.

AEA (Advanced Emergency Alerting) - a series of features that will be supported in ATSC that will bring vital emergency information to the viewer in the form of rich media, as well as other content that will be of vital and timely interest to the viewer.

AFD (Active Field Descriptor) - a standard set of signaling codes that can be sent in a video stream or in the baseband video signal that carries information about the desired display aspect ratio, as well as the screen rendering characteristics required. It is described in the SMPTE -2016-1 standard.

AGWN (Additive Gaussian White Noise) - a basic noise model that adds to the basic system noise model the effect of many random processes that occur in nature.

ALP (ATSC Link-layer Protocol) - the data encapsulation/compression abstraction layer used to provide baseband framing functions and signal input formatting.

API (Application Programming Interface) - is a set of subroutine definitions, protocols, and tools for building application software with clearly defined methods of communication between various software components.

ATSC - Advanced Television Standards Committee, an international industry-supported Standards Developing Organization (SDO) that develops and documents television transmission standards.

ATSC-1 - the first digital television transmission standard developed in 1995 that is used currently as the television standard in the U.S. as well as other countries.

ATSC-3 - the NEXTGEN TV transmission standard currently being rolled out throughout South Korea and the US, that provides increased services with robust signal quality through the use of increased bandwidth efficiency, improved error detection and correction.

AVC (Advanced Video Coding) - MPEG-4 Main 10 profile or H.264 video codec. It provides approximately twice the data bandwidth efficiency of MPEG-2 video encoding used in ATSC-1.

Base Layer - also referred to as Layer 1 of a two-layer LDM (Layered Division Multiplexing) system.

BBP (Base Band Packet) - a packet structure that will allow ALP packets to be encapsulated in such a way as to efficiently fit into the associated PLP Physical Layer structure. These packets contain padding or concatenation data as required.

REFERENCE

BCH (Bose, Chaudhuri, Hocquenghem) - one of two options for linear error coding used in the BICM processing block for outer code correction (CRC is the other). For ATSC 3.0, a 12-bit correctable BCH provides for both error detection and correction capabilities.

BER (Bit Error Rate or Ratio) - The bit error rate is the number of bit errors per unit time. The bit error ratio is the number of bit errors divided by the total number of transferred bits during a studied time interval. Bit error ratio is a unitless performance measure, often expressed as a percentage.

BICM (Bit-Interleaved Coded Modulation) – in an exciter it provides mapping as well as error checking and correction with high spectral efficiency close to (Shannon zero error) channel capacity limits. The BICM includes a special form of Forward Error Correction (FEC) including convolution (continuous) inner code and low-density parity-check a flexible coding scheme in which you may choose a modulation constellation independently of the coding rate. It contains the Forward Error Correction, Bit Interleaving and Mapping (as in constellation)

Bit Interleaver - rearranges data without loss to provide immunity to time-based noise bursts that interfere with the received signal.

BMFF (Base Media File Format) - (ISO/IEC 14496-12 - MPEG-4 Part 12), a general structure for time-based multimedia files such as video and audio that generally uses time based segments of the full media's period.. It is designed as a flexible, extensible format that facilitates interchange, management, editing and presentation of the media, and is designed to be independent of any specific network protocol.

Bootstrap - also known as the System Discovery and Signaling (A/321) and is the universal receiver discovery signal for the ATSC-3 NEXTGEN TV digital transmission signal. It precedes the preamble and is part of the overall ATSC 3.0 frame structure. In addition to the emergency alert wakeup signal, it includes ATSC 3.0 version number, and signals the FFT size, guard interval, and scattered pilot pattern of the preamble symbols.

Broadcast Scheduler/Gateway - a device that resides at the studio or NOC that provides IP delivery, as well as signaling, ALP processing, SFN processing, and scheduler functions. It also controls the modulation and coding parameter of the exciter.

Broadcast Manager - in a fully automated ATSC-3 NEXTGEN TV transmission system, provides coordinated media preparation and delivery administration across content supply with over-the-air as well as broadband delivery.

BW (BandWidth) - Is the difference between the upper and lower frequencies of a communications channel in a continuous set of frequencies. It is typically measured in Hertz.

Captioning (Closed) - data that is contained within the ATSC-3 NEXTGEN TV signal that will provide a transcript version of what is being said on the screen. At the option of the viewer, this text may be displayed contemporaneously on the screen.

CAT 5 - a wiring standard described in TIA/EIA-568-B.1-2001 T568A or B with 100 Mhz in bandwidth, which translates into 1000BaseT.

REFERENCE

CAT 6 - a wiring standard described in TIA/EIA-568-B.1-2001 T568A or B with 250 Mhz in bandwidth, which translates into 10GBaseT.

CFF-TT (Common File Format Timed Text) - a closed captioning data delivery standard based on W3C TTML with SMPTE-TT extensions.

C/N (Carrier to Noise) - a ratio, usually expressed in decibels (dB), of the carrier power relative to the noise power. This term is used to distinguish the C/N of the RF signal from the S/N of received data.

Code Rate - in a digital system with Forward Error Correction, this is the ratio of useful data to total data with redundancies (correction) included. For ATSC 3.0 there are 12 different code rates available (2/15 through 13/15)

CMAF (Common Media Application Format) - is an emerging sub-chunking which is intended to simplify delivery of HTTP-based streaming segmented media. It provides a means to reduce latency and enhance splicing over a wide range of segmented media formats.

COFDM (Coded Orthogonal Frequency Division Multiplex) - a digital multi-carrier modulation method that uses thousands of closely spaced carriers, 90 degrees apart, that carry complex data that has been converted from the frequency to the time domain.

Constellation - a two-dimensional visualization of a transmitted symbol of a complex digital number via modulation of a sine and cosine signal.

Convolutional Coding - is a type of error-correcting code that generates parity symbols via the sliding application of a Boolean polynomial function to a data stream. The sliding application represents the 'convolution' of the encoder over the data, which gives rise to the term 'convolutional coding.'

Core Layer - the basic layer of an LDM transmission system.

CP (Circular Polarization) - a circularly polarized transmitted wave from an antenna occurs when its vertical and horizontal E-field components are equal. The relative phase of each component determines whether the result is right circular or left circular.

CRC (Cyclic Redundancy Check) - one of three options for the error coding used in the BICM processing block for outer code correction (BCH and none are the other two options). For ATSC 3.0, a 32-bit CRC provides only error detection with no error correction capabilities.

CTI (Convolutional Time Interleaver) - a means by which the data is pseudo-randomized to reduce the negative effects of random noise bursts in a transmission system. It is enabled when there is only a single PLP or when LDM is used with a single core-layer PLP.

CTU (Coding Tree Unit) - is the basic sampling unit block of the High Efficiency Video Coding (HEVC) video standard and which is similar in concept to macroblock units that were used in several previous video standards.

REFERENCE

DASH (Dynamic Adaptive Streaming over Hyper-Text Transfer Protocol) - in ATSC 3.0, an abstraction layer described in ISO/IEC 23009-1. It is a standard method to stream packets of (typically) video, audio and closed captioning with ROUTE via HTTP using IP. The DASH format is used for both broadband and broadcast delivery. HTTP is used as the broadband delivery protocol, and ROUTE is used as its broadcast delivery protocol.

DASH-IF (DASH Industry Forum) - is a media industry-run organization that creates interoperability guidelines on the usage of the MPEG-DASH streaming standard that promotes the adoption of MPEG-DASH in media presentations. It represents the interests of many of the major streaming and media companies, such as Microsoft, Netflix, Google, Ericsson, Samsung and Adobe.

DAI (Dynamic Ad Insertion) - a process by which an advertisement is inserted into a media presentation in using dynamic ad placement that allows alteration of specific advertisements based on pertinent data available to the placement control system.

dB (decibel) - is a logarithmic unit (as in a power of 10 exponent, thus “deci”) used to express the ratio of often voltage or power to another value of voltage or power and may be used to express a change in value (e.g., +1 dB or -1 dB) or an absolute value. As an exponent of 10, 1 dB is equal to $10^{1/10}$. The “Bel” is conventionally capitalized in honor of Alexander Graham Bell.

Doppler - the often-detrimental phase and frequency shift that results from the relative motion of the receiver and transmitter. In a phase dependent modulation system such as COFDM it must be considered in the system design and error correction required. It is named for the scientist Christian Doppler who first discovered the phenomenon.

DRM (Digital Rights Management) - a system by which digital media content is protected from unauthorized view or use (as in unauthorized copying). It is also referred to as Content Protection.

DS3 (Digital Signal 3) - a commercially available digital data communications line. The data rate for a DS3 is 44.736 Mbit/s (45 Mb). A DS3 is alternatively known as a T3 Line.

DTS (Distributed Transmission System) - two or more transmitters operating on the same channel in a synchronized manner, generally to improve transmission coverage. Also called SFN for Single Frequency Network.

DTV - Digital TeleVision.

DTT (Digital Terrestrial Television) - television transmission system using digital transmission techniques for broadcast that makes efficient use of spectrum providing more content capacity than analog.

DVB-T2 (Digital Video Broadcasting, Second Generation Terrestrial) - the extension of the television standard DVB-T devised for the broadcast transmission of digital terrestrial television commonly used in many European countries. DVB-T2 has been standardized by ETSI (*European Telecommunications Standards Institute*).

REFERENCE

EAS (Emergency Alert System) - a national public warning system that requires broadcasters, cable television systems, wireless cable systems, satellite digital audio radio service (SDARS) providers, as well as direct broadcast satellite (DBS) operators to provide the capability to the President to address the American public during a national emergency. The system may also be used by state and local authorities to deliver important emergency information, such as AMBER alerts and severe weather information targeted to specific areas.

EBU (European Broadcast Union) - an alliance of public service media. It has 73 Members in 56 countries in Europe, and an additional 34 associates in Asia, Africa and the Americas that broadcast in more than 120 languages.

ECC (Error Correction Coding) - a digital coding technique that uses an algorithm for expressing a sequence of bits such that any errors which are introduced in the system can be detected and corrected (within certain limitations) based on the remaining (redundant) bits.

EL (Enhancement Layer) - Layer 2 of a two-layer LDM system.

EMDF (Extensible Metadata Delivery Format) - a protocol which provides a structured and extensible container for metadata to be carried in AC-4 streams.

ERP (Effective Radiated Power) - is the resultant effective power when the channel's transmitter power output is reduced by the system losses and is multiplied by channel's the antenna gain. This is also the power level that the FCC authorizes for a broadcast facility.

ESG (Electronic Service Guide) - in ATSC 3.0, a file, likely delivered as a Non-Real-Time file in band or via broadband that informs the viewer with a graphical guide about the contents of services available at any time. Also, equivalent to EPG for Electronic Program Guide.

EVM (Error Vector Magnitude) (sometimes also called Receive Constellation Error or RCE) - a measure (expressed in dB or %) of how far from the ideal locations the QAM constellation points are from their ideal locations.

Exciter/Modulator - in an ATSC 3.0 NEXTGEN TV transmission system, the major functional block that contains the Input Formatter, Bit Interleaving and Coding, Framing, Interleaving as well as Waveform Generation.

FCC (Federal Communications Commission) - is an independent Federal agency that regulates communications and spectrum policy of radio, television, wire, satellite, and cable across the United States. The FCC maintains jurisdiction over the areas of broadband access, equal competition, radio frequency use, media responsibility, public safety, and homeland security. The FCC was formed by the Communications Act of 1934. It creates enforceable rules to carry out its mission and to support related Federal laws and policies.

FDM (Frequency Division Multiplexing) or OFDM (Orthogonal Frequency Division Multiplexing) - a modulation scheme that divides and carries a single digital signal (or its components) across thousands of signal carriers simultaneously. The OFDM carriers are sent at right angles to each other (hence, orthogonal) so they do not interfere with each other.

REFERENCE

FEC (Forward Error Correction) - the process whereby additional (redundant) data is added to a digital transport or transmission system that allows a receiver to detect bit errors and correct the signal using the redundant data.

FFT (Fast Fourier Transform) – a process that mathematically converts a signal from its original time domain to a representation in the frequency domain.

FPGA (Field-Programmable Gate Array) - a high-density general-purpose integrated circuit that can be programmed to achieve specific signal processing tasks.

Frame - a data construct that includes a sequence of bits or symbols that indicate to the receiver the beginning and end of payload data.

Futureproof - a system designed in such a way that it is unlikely to become obsolete.

Geolocation - a process or technique of identifying or interpolating the geographical device location of a receiver by means of digital information, using various means such as GPS location or IP address (in the case of broadband connection).

GHz (GigaHertz) – One thousand million or one billion (10^9) cycles per second

GI (Guard Interval) - used to introduce immunity to propagation delays, echoes, and reflections. ATSC 3.0 has 12 user selectable GI lengths measured in samples (192, 384, 512, 768, 1024, 1536, 2048, 2432, 3072, 3648, 4096, and 4864).

GUI (Graphical User Interface) - a type of user interface that allows users to interact with electronic devices using graphical icons and visual indicators.

H.264 (also known as AVC or MPEG-4 Part 10, Advanced Video Coding) - a block-oriented motion-compensation-based video compression standard that is currently one of the most commonly used formats for the distribution of video content that provides about twice the data bandwidth efficiency of MPEG-2.

H.265 (also known as High Efficiency Video Coding (HEVC) or MPEG-H Part 2) - a block-oriented motion-compensation-based video compression standard that is one of several potential successors to the widely used H.264 or MPEG-4 Part 10, while providing nearly twice the bandwidth efficiency to that earlier standard.

HDMI (High-Definition Multimedia Interface) – is an industry supported audio/video connection interface for transmitting uncompressed video data and compressed or uncompressed digital audio data from an HDMI-compliant source device, such as in a receiver, to a compatible monitor, video projector, digital television, or digital audio device.

HDR (High Dynamic Range) - a technique used in video imaging to reproduce a greater dynamic range of luminosity than is possible with more standard digital television imaging techniques or displays.

REFERENCE

HD-SDI (High-Definition Serial Digital Interface) - the common method for high-definition digital video production and studio transmission of Y'CbCr component content, and is described in standard SMPTE 292M at a nominal data rate of 1.485 Gb/s.

HEVC (High Efficiency Coding) (also known as H.265 or MPEG-H Part 2) - a block-oriented motion-compensation-based video compression standard that is one of several potential successors to the widely-used H.264 or MPEG-4 Part 10, while providing nearly twice the bandwidth efficiency to that earlier standard.

HFR (High Frame Rate) - television frame rates above the nominal rates of 60 frames in the U.S. or 50 frames in many other parts of the world. The higher frame rates would be 120 Hz (U.S.) or 100 Hz (elsewhere).

H pol (Horizontal Polarization) - when an antenna has its E field (electric field) transmitted in the horizontal plane and the H-field (magnetic field) in the vertical plane.

HTI (Hybrid Time Interleaver) - a means by which the data is pseudo-randomized to reduce the negative effects of random noise bursts in a transmission system that utilizes the multiple-PLP mode. It is composed of cell interleaver, twisted block interleaver, and a convolutional delay-line.

HTTP (HyperText Transport Protocol) - is the underlying protocol that defines how messages (or data) are formatted and transmitted, and what actions, content sources and user agents should take in response to various data or commands (signaling) as well as content.

HVAC (Heating Ventilation and Cooling) - the technology of controlling indoor environmental temperature and humidity.

Hybrid Service - in ATSC 3.0, NEXTGEN TV is the capability to make use of over-the-air broadcast as well as related content via the internet simultaneously. The internet-delivered content could augment or be in addition to the over-the-air content.

Hz (Hertz) - is a measurement unit of frequency and is defined as one cycle per second. It is conventionally capitalized and named for Heinrich Rudolf Hertz, the first person to provide conclusive proof of the existence of electromagnetic waves. Hertz are commonly expressed in multiples: kilohertz (1000 Hz, kHz), megahertz (1 million Hz, MHz), gigahertz (1 billion Hz, GHz), and terahertz (one million, million Hz, THz)

IFFT (Inverse Fast Fourier Transform) - the process that mathematically converts a signal from its original frequency domain to a representation in the time domain. IFFT takes place in the waveform generation processing block of the ATSC 3.0 NEXTGEN TV exciter/modulator.

Immersive (as in audio) - provides a realistic representation of the original sound field that appears to surround the user. Often referred to as theatre-quality sound.

IMSC1 (Internet Media Subtitles and Captions Version 1) - the W3C standard on which ATSC 3.0's caption and subtitle system is built.

REFERENCE

Interlace – in television, it is the form of horizontal scanning in which an image is fully horizontally scanned using one half the frame period, and alternately fully scanned again between the original scanned lines locations, making up the full frame.

Internet Protocol (IP) – is the digital data protocol by which a digital payload is sent from one device to another via the internet or a network. Each source of data has at least one or more IP addresses that uniquely identifies it from all other data sources. Destination devices often have IP addresses as well to be uniquely identified or addressed. However, the protocol also makes provision for “multicast” data in which only the source address is required.

IoT (Internet of Things) - is an abstract concept of a network of physical devices, vehicles, home appliances, and other items embedded with electronics, software, sensors, actuators, with network connectivity which enable these objects to connect and exchange data.

I.O.T. (Inductive Output Tube) - a type of high-power linear beam vacuum tube that uses current modulation that is primarily used in UHF transmitters. Developed in the 1980s, IOTs provide an alternative technology to klystrons, providing greater efficiency and lower operating costs.

IP – (Intellectual Property) - a work or invention that is the result of creativity, such as a manuscript or a design, to which an individual or organization has rights and for which one may apply for a patent, copyright, trademark, etc.

IP Multicast (Internet Protocol Multicast) - is a method of sending Internet Protocol (IP) datagrams or packets to multiple receivers in a single transmission. It is a form of point-to-multipoint or multipoint-to-multipoint communication employed for streaming media and other applications over networks. IP multicast is the IP-specific version of the general concept of multicast networking. It uses specially reserved multicast address blocks in IPv4 and IPv6.

IP V4 (Internet Protocol Version 4) - the fourth revision of the Internet Protocol (IP) definition, and a widely currently used protocol in data communication over different types of networks.

IP V6 (Internet Protocol Version 6) - the sixth revision of the Internet Protocol (IP) definition, and a widely used protocol in data communication over different types of networks. IP V6 is the enhanced version of IP V4, and can support a substantially larger number of nodes as compared to IP V4.

IPTV (Internet Protocol Television) – is a system through which television services are delivered using Internet Protocol over packet-switched networks, as on the Internet.

ISDB-T (Integrated Services Digital Broadcasting, Terrestrial) - a Japanese standard for digital television. ISDB-T replaced the previously used MUSE Hi-vision analog HDTV system.

ISO BMFF (ISO/IEC 14496-12 - MPEG-4 Part 12) - a general structure for time-based multimedia files such as video and audio based in Quick Time files. It is a flexible, extensible format that facilitates interchange, management, editing and presentation of the media. It was designed to be independent of any network protocol.

REFERENCE

ISO/IEC 23008-1 - specifies MPEG Media Transport (MMT) technologies, which include a single encapsulation format, delivery protocols and signaling messages for transport and delivery of multimedia data over packet-switched networks.

ITU Rec. 709 (also known as BT.709) - standardizes the format of high-definition television, having 16:9 (widescreen) aspect ratio with a defined luminance transfer function and color space definition.

ITU Rec. 2020 (also known as BT2020) - defines various aspects of HDTV such as improved display resolution, frame rate, Chroma subsampling, bit depth, and color space compared to ITU Rec. 709.

ITU Rec 2100 (also known as BT2100) - introduces high-dynamic-range television (HDR-TV) by recommending the use of the perceptual quantizer (PQ) or hybrid log-gamma (HLG) transfer functions instead of BT.1886 and other transfer functions. It defines various aspects of HDR based video such as display resolution (HDTV and UHD TV), frame rate, chroma subsampling, bit depth, color space, and transfer function. Rec. 2100 also expands on several aspects of Rec. 2020.

JSON (JavaScript Object Notation) - is a lightweight data-interchange format. It is easy for humans to read and write and machines to parse and generate. It is based on a subset of the JavaScript Programming Language Standard. JSON is a text format that is completely language independent but uses conventions that are familiar to programmers of the C-family of languages. These properties make JSON an ideal data-interchange language. It is a quite common data format used for server to browser communication, including as a replacement for XML.

L1 Basic - part of the Preamble following the “bootstrap,” and carries the most fundamental signaling information as well as data necessary to decode L1 Detail.

L1 Detail - part of the Preamble following the L1 Basic. It has the information necessary to decode subframes including their ModCods, number of PLPs, pilot pattern, FEC, etc.

Layer - a conceptual model (as in the OSI 7-layer model) that characterizes and standardizes the communication functions of a data system while isolating it from the technology utilized. Such a model partitions the system into abstraction (independent) layers.

LCT (Layer Coding Transport) (also known as RFC 5651) - provides transport level support for content delivery and stream delivery protocols such as ROUTE/DASH or ROUTE/UDP/IP. LCT is specifically designed to support protocols using IP multicast, but it also provides support to protocols that use unicast.

LDM (Layered Division Multiplexing) - a RF multiplexing scheme where multiple RF signals are layered on top of one another. A two-layer system has a core layer (more robust ModCod) and an enhanced layer (less robust ModCod). The enhanced layer is “injected” between -3 and -10dB relative to the core layer.

LDPC (Low-Density Parity Check) - a linear error correcting code, used in the BICM processing block of a NEXTGEN TV transmission exciter for inner code correction. Inner code correction is mandatory in ATSC 3.0. There are two different sizes of the LDPC code: 64800 bits and 16200 bits.

REFERENCE

Lighthouse Station – this is a colloquial name for a method by which, during the industry transition to ATSC 3.0, multiple stations in a market will transmit ATSC 3.0 NEXTGEN TV services on a single designated channel, using separate PLPs or multiplexed within a single PLP. This would facilitate a transition in a market because viewers could still view the stations' ATSC-1 transmissions while transitioning to NEXTGEN TV. This is also referred to more correctly as a NEXTGEN TV Host station.

LLS (Low Level Signaling) - signaling information that supports rapid channel scans and bootstrapping of service acquisition by the receiver. It operates below the IP layer, and includes a table that points to the Service List Table (SLT), Regional Ratings Table (RRT), System Time (ST), Common Alerting Protocol (CAP), and Service Layer Signaling (SLS) tables.

LMT (Link Mapping Table) - provides a table or list of the upper layer sessions by IP address carried within an individual PLP.

LPTV (Low Power TeleVision) - The FCC created the Low-Power Television (LPTV) service in 1982 to provide opportunities for locally oriented television service in small communities. LPTV service offers programming tailored to the interests of viewers in small, localized areas in a less expensive and more flexible way than traditional full-service/power TV stations. Their regulatory requirements are also different than full power television stations.

MIMO (Multiple Input Multiple Output) - one of three transmission frame types (SISO, MISO, MIMO). MIMO improves system robustness via additional spatial diversity (improves two transmit and two receive antennas). The spatial diversity is often combined with polarization diversity (Hpol and Vpol for example).

MISO (Multiple Input Single Output) - one of three transmission frame types (SISO, MISO, MIMO). MISO is a pre-distortion technique that artificially de-correlates signals from multiple transmitters in a Single Frequency Network in order to minimize potential destructive interference.

MMTP (MultiMedia Transport Protocol) - an application layer transport protocol for delivering multimedia streams over IP networks which include a single encapsulation format, delivery protocols and signaling messages for transport and delivery of multimedia data over packet-switched networks.

ModCod (Modulation and Coding or Code Rate) - the combination of modulation and coding rates that together determine the size of the baseband packet.

MPD (Media Presentation Description) – is an organized playlist of video and audio segments comprising the control mechanism of DASH-encoded content that describes segment information (timing, URL, media characteristics like video resolution and bit rates), and can be organized in different ways depending on the use case. It is also often referred to as a “manifest”.

MPEG-2 TS (Motion Picture Expert Group-2 Transport Stream) - a digital container format for streaming television signals that is part of the MPEG-2 Part 1 specification.

REFERENCE

MPEG-H (Motion Picture Experts Group-High efficiency coding and media delivery in heterogeneous environments) - a group of standards that includes next-generation audio and video compression technologies.

Multiplex(ing) - In telecommunications and computer networks, multiplexing (also contracted to muxing) is a method by which multiple analog or digital signals are combined into one signal over a shared transport or physical medium. The concept allows for the sharing of a scarce resource.

MVPD (Multichannel Video Programming Distributor) - Is a service provider that delivers video programming services over more than one channel, usually for a subscription fee. These operators include (DBS) direct-broadcast satellite providers, cable television systems, and various other wireline video providers, including competitive local exchange carriers using internet protocol television.

NAB (National Association of Broadcasters) - A trade association and lobby group representing the interests of commercial and non-commercial over-the-air radio and television broadcasters in the United States. The NAB represents more than 8,300 terrestrial radio and television stations as well as broadcast networks.

Network Layer Packet - an elemental Packet Structure that provides payload content along with its routing information.

Noise Figure - is a measure of degradation of the signal-to-noise ratio (SNR), normally expressed in decibels caused by components in a signal chain. It is a number by which the performance of an amplifier or a radio receiver can be specified, with lower values indicating better performance.

NGA (Next Generation Audio) - audio provided in a highly efficient digitally compressed format that delivers immersive quality audio, along with a host of features such as customized channel selection control, enhanced dialog and viewer controllable dynamic range.

Nightlight Station - a concept by which, when the ATSC-3, NEXTGEN TV transition is fairly mature and all of the stations have transitioned to ATSC-3, a single station transmits a multiplex of most or all of the stations in the market in ATSC-1 as to not "orphan" legacy receiver viewers.

NOC (Network Operations Center) - the facility that contains the system resource manager, data sources/program encoders, data encapsulation and the broadcast gateway. The NOC may also be called master control in many facilities.

NRT (Non-Real Time) - in ATSC 3.0, the concept of delivering file content or applications non-contemporaneously or even before its intended use.

NTP (Network Time Protocol) - NTP uses Coordinated Universal Time (UTC) to synchronize computer clock times with extreme precision, offering greater accuracy on smaller networks -- down to a single millisecond in a local area network and within tens of milliseconds over the internet. NTP does not account for time zones, instead relying on the host to perform such computations. The NTP client initiates a time-request exchange with the NTP server. As a result of this exchange, the client can calculate the link delay and its local offset and adjust its local clock to match the clock at the server's computer.

REFERENCE

NUC (Non-Uniform Constellation) - an OFDM QAM constellation with a non-uniform spread of the constellation points. Such constellations provide additional shaping gain, which allows reception at lower signal-to-noise ratios.

Null Fill - an antenna phasing design used to fill in signal coverage in areas of the pattern that do not have desired signal strength.

OC3 (Optical Carrier 3) - a network line with a transmission data rate of up to 155.52 Mbit/s using primarily fiber optics. OC-3 may also be known as STS-3 or STM-1.

OFDM (Orthogonal Frequency Division Multiplexing) - a digital multi-carrier modulation method that uses many closely spaced carriers that are used to carry complex data that has been converted from the frequency to the time domain.

Offloading - where data, video and other bandwidth-intensive content can be transmitted over broadcast networks for “edge” storage or delivery to non-household destinations, freeing required bandwidth for other uses.

OSI 7 Layer Model - is the logical model which defines a networking framework to implement protocols in seven layers. Those layers are Physical (Layer 1), Data Link (Layer 2), Network (Layer 3), Transport (Layer 4), Session (Layer 5), Presentation (Layer 6), and Application (Layer 7). Each layer is an abstraction (independent) layer that provides for extensibility by not relying on the characteristics of other layers. This allows for the separation of requirements to facilitate interoperability and platform independence. ATSC 3.0, NEXTGEN TV is built on just such an architecture.

OTA (Over-The-Air) - is content broadcasted and directly received from a local transmission.

OTT (Over-The-Top) - television programming, streams or multimedia services received via methods other than over-the-air, without the involvement of a multiple-system operator in the control or distribution of the content. The term originated from the concept of receiving the streams “over-the-top” of cable television broadband connectivity. However, the term has since broadened to include television delivery via internet broadband connectivity in general.

PAPR (Peak-to-Average Power Reduction or PAR) - a transmitter’s peak power squared divided by the average (RMS) power squared and is expressed generally in dB.

PAPR Reduction - modifies the OFDM signal via Tone Reservation (TR) and/or Active Constellation Extension (ACE) to reduce the peak power requirements of the ATSC 3.0 transmission.

PER (Packet Error Rate) - Is the number of incorrectly received data packets divided by the total number of received packets. A packet is declared incorrect if at least one bit is erroneous.

REFERENCE

Physical Layer (aka PHY) - In the seven-layer OSI model of computer networking, the physical layer or layer 1 is the first and lowest layer. The physical layer consists of the networking hardware transmission technologies of a network. The physical layer defines the means of transmitting raw bits rather than logical data packets over a physical link connecting network nodes. The bit stream may be grouped into code words or symbols and converted to a physical signal that is transmitted over a hardware transmission medium.

PLP (Physical Layer Pipe) - a logical data transmission channel that may carry one or multiple services. Each PLP can have different modulation and coding, bit rate and error protection parameters. It provides a data and transmission structure of allocated capacity and robustness that can be adjusted to broadcaster needs. In ATSC 3.0, NEXTGEN TV, the maximum number of PLPs in an RF channel is 64. Each individual service can utilize up to 4 PLPs. Therefore, receivers are expected to be able to decode at least four PLPs at one time.

PNG (Portable Network Graphics) - a raster graphics file format that supports lossless data compression. The PNG file format is an open format with no copyright limitations. Like GIF images, PNG also have the ability to display transparent backgrounds.

Preamble - present at the beginning of an ATSC 3.0 Physical Layer frame or group of subframes. It contains the Level 1 control signaling applicable to the remainder of the frame(s). The preamble has two parts: L1 Basic and L1 Detail.

Progressive - in television, a scanning method that scans the frame completely in one vertical scanning pass.

PSIP (Program System Information Protocol) - in ATSC 1.0, a collection of tables describing virtual channel attributes, event features, and other information. The complete specification is described in ATSC standard A/65.

PU (Prediction Unit) - in HEVC H.265 compression the basic block upon which the same prediction is applied or is predicted from previously coded data.

QAM (Quadrature Amplitude Modulation) - a signal in which two carriers shifted in phase by 90 degrees are modulated, summed and the resultant output consists of both amplitude and phase variations. In the ATSC 3.0 NEXTGEN TV Physical Layer, constellations, resulting from QAM modulation, can range by broadcaster choice from QPSK to 4096QAM. High spectral efficiencies can be achieved with QAM by setting a suitable constellation size, only limited by the tolerable noise level and required bandwidth of the channel.

QPSK (Quadrature Phase Shift Keying) - a digital modulated signal consisting of a two-bit (4 point, or quadrature) QAM constellation that is usually used for low bit rate, highly robust transmission.

RAP (Random Access Point) - a randomly selected (non-sequential) location in a digital signal that is used as a reference location for synchronizing or beginning a process.

Receiver - as in an RF receiving device. In television communications can be referred to as a "television set"

REFERENCE

Repack - is the ultimate result of the FCC's spectrum incentive reverse-auction in 2016/2017 to buy spectrum back from broadcasters that was, in turn, sold to wireless operators in a forward auction. Using the resultant consolidated spectrum set aside for television broadcast, some broadcasters were required to move to a different, smaller part of the band (below Channel 36 and below) to clear the sold spectrum for wireless use.

Return Channel - in ATSC 3.0, a data transmission link from a viewer's receiver back to the broadcaster's facility. The return channel in ATSC 3.0 may use the internet or an RF transmission channel.

ROI (Return On Investment) - is the amount of monetary return compared to the investment's cost.

ROUTE (Real-time Object delivery over Unidirectional Transport) – is an IP-centric transport protocol based in the FLUTE protocol that allows for unidirectional delivery of files over the Internet. It is particularly suited to multicast networks. It is compatible with layered environments. In NEXTGEN TV, it also can carry a DASH session of multimedia content.

RTP (Real-time Protocol) – an IP network protocol for delivering audio and video over IP networks. RTP is used extensively in communication and entertainment systems that involve streaming media and is described in IETF RFC-3550.

Scheduler - a functional processing block within the Broadcast Gateway, at the master control or NOC, that allocates physical capacity of the transmitter's exciter for the services required by the broadcaster in ATSC 3.0 transmissions.

Service - a set of content elements, when taken together, which provide a complete listening, viewing, or other experience to a viewer. It may contain audio, base level video, enhancement video, captioning, graphic overlays, web pages, applications, emergency alerts as well as other signaling, or metadata required.

Service Announcement - Information on the service's identity, location (as in a stream or transport) or purpose.

Service Guide - in ATSC 3.0, a file, likely delivered in non-real-time, that informs the viewer in a graphical manner about the contents of services available at any time, as well as how to access those services.

SFN (Single Frequency Network) - two or more transmitters operating on the same channel in a synchronized manner, generally to improve transmission coverage. Also referred to as DTS for Distributed Transmission System specifically in a regulatory context.

SHVC (Scalable High Efficiency Video Coding) – is the scalable extension of the High Efficiency Video Coding (HEVC) standard. In addition to the temporal scalability, SHVC further provides spatial, signal-to-noise ratio, bit depth, and color gamut scalability functionalities, as well as combinations of any of these. A multiple layer high-level design is a common feature of SHVC. In NEXTGEN TV, SHVC allows for better spectrum efficiency with base and enhancement layers being delivered via separate transports and selectively being reconstituted as required.

REFERENCE

SISO (Single Input Single Output) - one of three frame types (SISO, MISO, MIMO). SISO is signal processing with only one transmit antenna and only one receive antenna required for full reception.

SLS (Service Layer Signaling) - In NEXTGEN TV a series of signaling tables that provide to the receiver sufficient information to discover and access ATSC 3.0 NEXTGEN TV services and their content components.

SLT (Service List Table) - in NEXTGEN TV it is a series of tables that allows the receiver to discover quickly the basic services and capabilities of the transmission while pointing to the Service Layer Signaling tables.

SMPTE (Society of Motion Picture and Television Engineers) - SMPTE is a global organization of media professionals, technologists and engineers collaborating for the advancement of all things technical in the motion picture, television, and digital media industries. Most importantly, SMPTE is an internationally recognized Standards Developing Organization or SDO, bringing order to the constantly evolving technologies with a high level of unbiased technical excellence.

SMPTE 2016-1- the SMPTE standard for Active Field Descriptor, which is a standard set of codes that can be sent within a transmission stream or in the baseband video signal that carries information about the aspect ratio, as well as the screen rendering characteristics required.

SMPTE 2022-1- Forward Error Correction for Real-Time Video/Audio Transport over IP Networks. It also defines row/column FEC (Forward Error Correction) for IP video streams.

SNR (Signal to Noise Ratio) - compares the level of a desired signal to the level of the included background noise. It is defined as the ratio of signal power to the noise energy, often expressed in decibels. In digital communication systems, quantization errors are a common source of the noise.

SMPTE-TT - defines the SMPTE profile of W3C Timed Text Markup Language (TTML) used to transmit Captions or Subtitles. It identifies the features from TTML required for interoperability between display systems for the format. SMPTE-TT also defines some standard metadata terms to be used, as well as some extension features not found in TTML.

Soundbar - a single cabinet speaker system with a small footprint, built with small phased speakers that can simulate surround-sound.

Spatial - in video encoding, those items, errors or corrections that occur within a frame.

Spectrum Repack - is the ultimate result of the FCC's spectrum incentive reverse-auction in 2016/2017 to buy spectrum back from broadcasters that was, in turn, sold to wireless operators in a forward auction. Using the resultant consolidated spectrum set aside for television broadcast, some broadcasters were required to move to a different, smaller part of the band (below Channel 36 and below) to clear the sold spectrum for wireless use.

STA (Special Temporary Authority) - under FCC rules, it provides for immediate operation for broadcast station's transmission when temporary authority is required because licensed facilities have been damaged or experimental or temporary transmission is required.

REFERENCE

STL (Studio to Transmitter Link) - the transmission link between the broadcaster's studio location and the transmitter, carrying the station's content to be transmitted. This link may be via radio means (microwave) or via direct digital connection, such as fiber.

STLTP (Studio to Transmitter Link Transport Protocol) - is a protocol defined in ATSC A/324 that provides for a robust STL transmission interface between the Scheduler/Gateway, located at the studio, and the transmitter(s) exciter/modulator. It encapsulates payload data using UDP, RTP and provides synchronization, exciter and time data control, as well as forward error correction.

Subframe - in ATSC 3.0 standard, a PLP may contain a structure of a frame or a series of subframes. Each subframe may have separate transmission characteristics. There is a bootstrap sequence and preamble is found at the beginning of each frame or series of subframes.

Sweetspot - in multichannel audio, this term describes the focal point between multiple speakers, where an individual receives the multichannel audio mix in a way it was intended to be heard.

TAI (International Atomic Time) - is a time scale that uses the combined output of some 400 highly precise atomic clocks. It provides the exact speed at which clocks tick. It is also the basis for Coordinated Universal Time (UTC), which is used for civil timekeeping all over the Earth's surface. International Atomic Time is an extraordinarily precise means of timekeeping. Atomic clocks deviate only 1 second in up to 100 million years. The International System of Units (SI) defines one second as the time it takes a Cesium-133 atom at the ground state to oscillate exactly 9,192,631,770 times.

TCP/IP (Transport Control Protocol via Internet Protocol) - the basic communications protocol of the Internet or other IP-based delivery systems, as in a private network. It requires bidirectional (duplex) connectivity.

TDM (Time Domain Multiplex) - a method of joining multiple data streams into a single stream by dividing the source streams into many timed segments, each of short time duration, while interleaving them into the common stream. The individual data streams can then be reassembled at the receiving end by reversing the process, based on the timed segment duration and sequence.

Temporal - in video encoding, those items, errors, or corrections that occur between frames.

Tone Reservation - in COFDM transmission, a method for reducing Peak to Average Power (PAPR) by adding (reserving) subcarriers (tones) that don't carry any data information, for the purpose of reducing PAPR.

TPO (Transmitter Power Output) - the actual amount of RF power that a transmitter produces at its output connection. It should not be confused with a transmission system's ERP or Effective Radiated Power which includes the transmission system's losses and antenna's gain.

Transfer Function - in television, is used to mathematically describe what the electrical response of an optical sensor is to a wide range of light levels. There is rarely a linear light-to-signal output relationship, so for the imagery to be properly rendered, the display device must emulate the inverse transfer function of the display.

REFERENCE

TS (MPEG Transport Stream also MPEG-TS, MTS or simply Transport Stream)- is a standard digital container format for transmission and storage of audio, video, and Program and System Information Protocol (PSIP) data. It is used in broadcast systems such as DVB, ATSC and IPTV. Transport stream specifies the container format encapsulating packetized elementary streams, with error correction and synchronization pattern features for maintaining transmission integrity when the communications channel carrying the stream is degraded.

TTML (Timed Text Markup Language) - a W3C-developed closed-captioning data-delivery standard. IMSC1 is based on TTML with SMPTE-TT extensions.

UDP (User Datagram Protocol) - a data delivery standard, defined by RFC 768, that delivers its payload as datagrams (header and payload sections) to devices on an IP network. UDP provides checksums for data integrity, and port numbers for addressing different functions. There are no handshaking dialogues, and thus UDP is primarily used in unidirectional communications.

UHD (Ultra High Definition) - a descriptor of the highest technical quality for television programming, which includes 4K resolution, high display refresh rate, High Dynamic Range, Wide Color Gamut, and immersive audio.

URI (Uniform Resource Identifier) - A string of characters used to identify a resource that enables interaction with representations of the resource over a network, often but not confined to the World Wide Web, using specific protocols. Schemes specifying a common syntax and associated protocols define each URI. The most common form of URI is the Uniform Resource Locator (URL), frequently referred to informally as a web address. More rarely seen in usage is the Uniform Resource Name (URN), which was designed to complement URLs by providing a mechanism for the identification of resources in particular namespaces.

URL (Uniform Resource Locator) –also popularized as a “web address”, is a reference to a web resource that specifies its location on a computer network and a mechanism for retrieving it. A URL is a specific type of Uniform Resource Identifier (URI), although many people use the two terms interchangeably. URLs occur most commonly to reference web pages, but are also used for file transfer, email, database access, and many other purposes such as addressing media resources.

URN (Uniform Resource Name) - is a form of Uniform Resource Identifier (URI) that uses the URN scheme. URNs were conceived as persistent, location-independent, identifiers assigned within defined namespaces, typically by an authority responsible for the namespace, so that they are globally unique and persistent over long periods of time, even after the resource which they identify ceases to exist or becomes unavailable. “Uniform Resource Name” and “Uniform Resource Locator” have been deprecated in technical standards in favor of the term Uniform Resource Identifier (URI), which encompasses both.

VAST (Video Ad Serving Template) - A specification released by the Interactive Advertising Bureau (IAB) that sets a standard for communication requirements between ad servers and video players. It uses an XML data structure.

REFERENCE

VBR (Variable Bit Rate) - A term used in telecommunications and computing that relates to the bitrate used in sound or video encoding. As opposed to constant bitrate (CBR), VBR files vary the amount of output data per time segment. VBR assigns a higher bitrate to the more complex segments of media files while lower bitrates are allocated to less complex segments. The average of all the required rates can be calculated to produce an average bitrate for the file which generally would be lower than an equivalent quality CBR media file.

VDS (Video Description Service) - Audio description stream designed to allow visually impaired "viewers" to receive a description of visual action to improve the experience for the visually impaired.

VOD (Video on Demand) - an interactive TV technology that allows subscribers to select and view programming in real time or download programs to view later.

Vpol (Vertical Polarization) - when an antenna has its electric field transmitted in the vertical plane and the magnetic field in the horizontal plane.

W3C (World Wide Web Consortium) - an international community where member organizations, a full-time staff, and the public work together to develop standards to be used on the World Wide Web.

WCR (Wide Color Gamut) - a wider range of color values that are closer to the human visual range than prior color descriptions. The television wide-gamut color space is defined in ITU Rec. 2020 that covers 75.8% of the visual color space. The color space currently used in television ITU Rec. 709 covers only 35.9% of the visual color space by comparison.

Xlink (XML Linkage) - An attribute within an MPD period that can be used to identify opportunities for content replacement by providing a new period. There are two types of attribute definitions: xlink:href and xlink:actuate which are used by client processes to resolve the linkage at a particular time.

Y'CbCr - a color space description used in video systems. Y' is the Luma component and Cb and Cr are the blue and red Chroma color difference signals. The prime on the "Y" is to distinguish Luma from Luminance. Luma differs from term Luminance, which does not have the gamma (transfer function) correction found in Luma.

ZC (Zadoff-Chu Sequence) - A complex-valued mathematical sequence which, when applied to radio signals, gives rise to an electromagnetic signal of constant amplitude, whereby cyclically shifted versions of the sequence imposed on a signal result in zero correlation with one another at the receiver. A generated Zadoff-Chu sequence that has not been shifted is known as a "root sequence". The Zadoff-Chu Sequence is an important part of the Bootstrap signal acquisition used in NEXTGEN TV.

NEXTGEN TV Application Procedure



PUBLIC NOTICE

Federal Communications Commission
445 12th St., S.W.
Washington, D.C. 20554

News Media Information 202 / 418-0500
Internet: <https://www.fcc.gov>
TTY: 1-888-835-5322

DA 19-453

Released: May 23, 2019

MEDIA BUREAU ANNOUNCES THAT IT WILL BEGIN ACCEPTING NEXT GENERATION TELEVISION (ATSC 3.0) LICENSE APPLICATIONS IN THE COMMISSION'S LICENSING AND MANAGEMENT SYSTEM ON MAY 28, 2019

GN Docket No. 16-42

1. By this Public Notice, the Media Bureau (Bureau) announces that it will accept applications for Next Generation Television (Next Gen TV or ATSC 3.0) licenses through the Commission's Licensing and Management System (LMS) beginning on **May 28, 2019**. On November 16, 2017, the Commission adopted rules authorizing television broadcasters to use the Next Gen TV transmission standard on a voluntary, market-driven basis;¹ however, before accepting applications for Next Gen TV licenses, the Bureau needed to revise the Form 2100 and modify LMS to accommodate the filing of such applications. This work has now been completed. The Bureau has revised FCC Form 2100, Schedule B (full service television stations), Schedule D (low power and television translator stations), and Schedule F (Class A television stations), so that broadcasters may now file applications for modification of licenses to authorize the transmission of Next Gen TV broadcast signals. All licensed full power, Class A, low power television (LPTV),

¹ *Authorizing Permissive Use of the "Next Generation" Broadcast Television Standard*, GN Docket No. 16-142, Report and Order and Further Notice of Proposed Rulemaking, 32 FCC Rcd 9930 (2017) (*Next Gen TV Report and Order and FNPRM*).

REFERENCE

and TV Translator stations, with the exception of licensed channel sharing stations,² may begin filing the Next Gen TV license applications in LMS beginning on May 28, 2019.

2. In addition to reviewing this Public Notice, applicants are encouraged to review the Commission's *Next Gen TV Report and Order* and the Commission's ATSC 3.0 rules prior to filing a license application in order to familiarize themselves with requirements for airing an ATSC 1.0 simulcast signal and providing ATSC 3.0 service.³ Such requirements include, but are not limited to the Commission's local simulcasting requirement,⁴ the requirement to enter into written local simulcasting agreements,⁵ ATSC 1.0 simulcast and ATSC 3.0 signal coverage requirements, and viewer and MVPD notice requirements. LMS filing instructions are provided in the attached Appendix.

3. ***ATSC 3.0 Streamlined Licensing Application Process.*** The Commission has adopted a one-step streamlined licensing approach that differs from the Commission's traditional

² With respect to licensed channel sharing stations, the Bureau is in the process of completing the necessary changes in LMS for these stations to use the new forms and has established an interim process that will allow such stations to deploy ATSC 3.0 services immediately as well. Additional details about the interim application process for channel sharing stations is provided below.

³ See generally *Next Gen TV Report and Order and FNPRM*, 32 FCC Rcd 9930 (2017); 47 CFR § 73.3801 et. seq. (full power television simulcasting during the ATSC 3.0 transition); 47 CFR § 73.6029 (Class A television simulcasting during the ATSC 3.0 transition); 47 CFR § 74.782 (LPTV and TV Translator simulcasting during the ATSC 3.0 Transition).

⁴ Under the Commission's rules, LPTV and TV Translators are exempt from the local simulcasting requirement. 47 CFR § 74.782(b). This exemption is currently subject to a pending Petition for Reconsideration. Petition for Reconsideration of American Television Alliance, GN Docket No. 16-142, at 5-8 (filed Mar. 6, 2019), <https://ecfsapi.fcc.gov/file/10305036256436/ATVA%20Petition%20for%20Recon%203-5.pdf>.

Furthermore, the Commission has sought comment on whether to exempt NCE and/or Class A stations (as a class) from the Commission's local simulcasting requirement or adopt a presumptive waiver standard for such stations. *Next Gen TV Report and Order and FNPRM*, 32 FCC Rcd at 9989-90, paras. 122-25. During the pendency of the Petition and FNPRM, LPTV and TV Translators continue to be exempt from the simulcasting requirement and both Class A and all full power stations (including NCE stations) are required, absent a request for waiver, to comply with the Commission's local simulcasting requirement. 47 CFR §§ 73.3801(b) (full power local simulcasting requirement) and 73.6026(b) (Class A local simulcasting requirement); see *Next Gen TV Report and Order and FNPRM*, 32 FCC Rcd at 9940-41, para. 18 (discussing waiver of local simulcasting requirement); 47 CFR § 1.3 (waiver for good cause shown).

⁵ When adopting its rules, the Commission used the rules for channel sharing agreements as a model. *Next Gen TV Report and Order and FNPRM*, 32 FCC Rcd at 9942, para. 21. As such, we find it is appropriate, as in channel sharing, not to require that commonly owned stations enter into or maintain written simulcast agreements. *Channel Sharing by Full Power and Class A Stations Outside the Broadcast Television Spectrum Incentive Auction Context*, Second Order on Reconsideration, GN Docket No. 12-268 and MB Docket No. 15-137, 30 FCC Rcd. 12016, 12019, n.20 ("An applicant that intends to channel share with a commonly-owned or controlled sharer station does not need to enter into or file a CSA."). However, if additional stations later become part of the simulcast arrangement that are not commonly owned, all stations must enter into a written simulcast agreement.

REFERENCE

broadcast licensing process.⁶ Under this streamlined licensing approach, a broadcaster interested in voluntarily transmitting an ATSC 3.0 signal from its authorized facility or the facility of another broadcaster is required to file only a modification of license application with the Commission.⁷ A station must file and receive Commission approval, prior to: (1) moving its ATSC 1.0 simulcast signal to a temporary ATSC 1.0 simulcast host station, moving its ATSC 1.0 simulcast signal to a different host station, or discontinuing an ATSC 1.0 simulcast signal;⁸ (2) commencing the airing of a ATSC 3.0 signal on an ATSC 3.0 host station that has already converted to 3.0 service, moving its 3.0 signal to a different ATSC 3.0 host station, or discontinuing an ATSC 3.0 guest signal on an ATSC 3.0 host station; or (3) converting a station that has transitioned its facility to broadcast in ATSC 3.0 back to ATSC 1.0 service.⁹ A station may commence ATSC 1.0 simulcast or ATSC 3.0 operations only after grant of the necessary applications and consistent with any other restrictions placed on the station by the Commission. Stations are not permitted to commence ATSC 3.0 service (including ATSC 3.0 guest service) or ATSC 1.0 simulcast service pursuant to automatic program test authority.¹⁰

4. When applying for a Next Gen TV license an applicant must choose from one of six application purposes. Based on a licensee's selection, questions in the application will be tailored to the station's specific purpose for filing.¹¹ The six purposes a licensee must choose from are as follows:

- Purpose 1: Convert an existing ATSC 1.0 facility to ATSC 3.0 service and identify an ATSC 1.0 simulcast host.

⁶ See *Next Gen TV Report and Order and FNPRM*, 32 FCC Rcd at 9953-85, paras. 48-59; 47 CFR §§ 73.3801(f), 73.6029(f), 74.782(g).

⁷ *Next Gen TV Report and Order and FNPRM*, 32 FCC Rcd at 9956, para. 57.

⁸ We note that all Class A and full power stations are required to comply with the ATSC 1.0 local simulcasting requirement. Thus, the only circumstance in which a Class A or full-power station would be permitted to discontinue ATSC 1.0 service, would be pursuant to an approved waiver. See *supra* note 4. In addition, we note that although LPTV and TV translator stations are exempt from the local simulcasting requirement, should they decide to provide an ATSC 1.0 simulcast signal on a voluntary basis, they would use the license application process described herein in the event they decide to discontinue simulcasting. See *infra* notes 12 and 15.

⁹ A "host" station is the station whose facilities are being used to transmit programming originated by another station ("guest"). A "guest" station is the station that is licensed to use another station's facilities ("host") to transmit its programming. For example, in a reciprocal simulcasting arrangement between Station A and Station B in which Station A will convert to and operate in ATSC 3.0 format, and Station B will continue to operate in ATSC 1.0 format, Station A will be the 3.0 host station for Station B's guest 3.0 signal and Station B will be the 1.0 host simulcasting host station for Station A's guest ATSC 1.0 simulcast signal. A station that airs an ATSC 3.0 signal (guest or host) is a "Next Gen TV Broadcaster."

¹⁰ *Next Gen TV Report and Order and FNPRM*, 32 FCC Rcd. at 9956, para. 56 and n.152.

¹¹ Based on an applicant's circumstance, LMS will automatically hide from view inapplicable questions.

REFERENCE

- Who Files: A station commencing ATSC 3.0 service by converting their existing ATSC 1.0 facility to ATSC 3.0 and either identifying a host station for their ATSC 1.0 simulcast signal or seeking waiver of the ATSC 1.0 simulcast requirement.¹²
- Purpose 2: Identify or change an ATSC 1.0 simulcast host station.
 - Who Files: A station that has converted their facility to ATSC 3.0 and is seeking to either (1) change its ATSC 1.0 simulcast host or (2) identify a host for an ATSC 1.0 simulcast signal after having commenced ATSC 3.0 service without initially identifying an ATSC 1.0 simulcast host.¹³
- Purpose 3: Identify or change an ATSC 3.0 host station.
 - Who Files: A station seeking to either (1) commence ATSC 3.0 service by identifying a host station for their ATSC 3.0 guest signal or (2) change its existing ATSC 3.0 host station.
- Purpose 4: Discontinue ATSC 3.0 guest service.
 - Who Files: A station seeking to discontinue ATSC 3.0 guest service currently being aired on an ATSC 3.0 host station and not commence ATSC 3.0 guest service on a new ATSC 3.0 host station at this time.
- Purpose 5: Convert an ATSC 3.0 facility back to ATSC 1.0 service.
 - Who Files: A stations seeking to convert its licensed ATSC 3.0 station back to ATSC 1.0 service. A station converting back to ATSC 1.0 service need not file a separate application to discontinue their ATSC 1.0 simulcast signal (if applicable).¹⁴
- Purpose 6: Discontinue ATSC 1.0 simulcast service on a host station.¹⁵

¹² As noted above, LPTV and TV translator stations are exempt from the local simulcasting requirement and may elect to transition directly to ATSC 3.0 service without providing an ATSC 1.0 simulcast signal. 47 CFR § 74.782(b). If an LPTV or TV translator station elects to voluntarily air an ATSC 1.0 simulcast signal, its ATSC 1.0 simulcast signal must comply with the general requirements applicable to ATSC 1.0 simulcast signals and will be asked to provide information as part of its application relevant to its ATSC 1.0 simulcast signal. 47 CFR § 74.782(c). All Class A and full power stations are required, absent waiver, to comply with the ATSC 1.0 local simulcasting requirement. *See supra* note 4. We note that the Commission has also sought additional comment on whether to provide additional guidance on the Commission should evaluate requests for waiver of the local simulcasting requirement. *Next Gen TV Report and Order and FNPRM*, 32 FCC Rcd at 9989-90, paras. 123-24.

¹³ In order to have commenced ATSC 3.0 operation without an ATSC 1.0 simulcast host the station must either be an LPTV/TV Translator station or be a full power or Class A station that was granted a waiver of the local simulcasting rule. *See supra* notes 4 and 8.

¹⁴ Any ATSC 3.0 guests must also file an application under Purpose 4 in order to discontinue their ATSC 3.0 guest service or file under Purpose 3 to change their ATSC 3.0 host station.

¹⁵ This purpose applies to LPTV and TV Translator stations that voluntarily established an ATSC 1.0

REFERENCE

- **Who Files:** Stations seeking to discontinue ATSC 1.0 simulcast service currently being aired on an ATSC 1.0 simulcast host station and not commence ATSC 1.0 simulcast service on a new ATSC 1.0 simulcast host station.

5. Depending on a station's current licensed status, only certain purposes will be available for an applicant to select. For example, a station that is currently operating in ATSC 1.0 and does not have an ATSC 3.0 signal will only be permitted to select Purpose 1 (convert its existing facility to ATSC 3.0 and, as applicable, establish an ATSC 1.0 simulcast host) or Purpose 3 (identify an ATSC 3.0 host station).

6. An ATSC 1.0 simulcast host station does not need to file any application to act as an ATSC 1.0 simulcast host so long as the station's facilities would not require any technical changes that would otherwise necessitate the filing of an application for construction permit. Likewise, a station that has already filed for, and been granted, a license to convert its facility to provide ATSC 3.0 service need not file any application to act as an ATSC 3.0 host station. However, if a host station must modify its facilities in a manner that would otherwise require the filing of an application for construction permit, the host station must first apply for and upon grant make all necessary changes to its facilities before a guest station may file an application for modification of license to air an ATSC 1.0 simulcast signal or ATSC 3.0 guest signal over the host's facilities.¹⁶

7. **Temporary ATSC 3.0 Application Process for Channel Sharing Stations.** The Bureau continues to modify LMS in order to accept for filing Next Gen TV license applications for channel sharing stations. We anticipate those modifications will be complete by the end of Third Quarter of 2019. We will release a subsequent Public Notice announcing when channel sharing stations may commence filing Next Gen TV license applications using Form 2100. In the meantime, the Bureau will use a temporary process by which channel sharing stations may file for authority either to convert their existing facility to ATSC 3.0 (and air an ATSC 1.0 simulcast signal) or air an ATSC 3.0 guest signal by filing for special temporary authority (STA) using a Legal STA. Included with any Legal STA must be all information that would otherwise be required to be included in an applicant's Next Gen TV license application, as detailed in the Commission's *Next Gen TV Report and Order* and the Commission's ATSC 3.0 rules. Channel sharing stations that file

simulcast signal and are seeking to permanently cease operation of an ATSC 1.0 simulcast signal. Any full power or Class A station that selects this purpose must include with its application a request for waiver of the local simulcasting requirement for evaluation by Bureau staff. Absent grant of a waiver, full power and Class A stations are required to provide an ATSC 1.0 local simulcasting signal. *See supra* notes 4 and 8.

¹⁶ *See* 47 CFR §§73.3801(f)(3)-(4), 73.6029(f)(3)-(4), 74.782(g)(3)-(4). *See also* 47 CFR §§ 73.1690, 74.751, and 74.787. For example, a licensee that wants to operate a single frequency network (SFN) under the Commission's Distributed Transmission System (DTS) rules must first file the appropriate construction permit application to modify its existing facility. After its DTS facility is constructed, the licensee would then file an application for license to cover, and upon grant of that application the licensee (as well as any ATSC 3.0 guests) could file the appropriate ATSC 3.0 application(s). If an ATSC 1.0 simulcast host station also plans air an ATSC 3.0 signal on that of its simulcast partner, then an ATSC 1.0 simulcast host station must separately file an application for modification of license to establish an ATSC 3.0 guest station.

REFERENCE

using this interim process will need to file a license application once LMS has been modified to accept those applications for filing. For additional information, channel sharing stations that are interested in commencing ATSC 3.0 service under this interim process should contact the appropriate member of the Bureau staff listed in paragraph 9 below.

8. ***Stations with Next Gen TV Experimental Authorizations.*** While the Bureau was in the process of revising its forms and updating LMS to accept the filing of ATSC 3.0 license applications, the Bureau granted several applications for Experimental Special Temporary Authority to allow stations to commence ATSC 3.0 market trials and engage in product development. Effective May 28, 2019, the Bureau will no longer grant new experimental authorizations or extend existing authorizations, absent unique and compelling circumstances. Stations with experimental authorizations must file a Next Gen TV license application in LMS no later than the expiration date of their current experimental authorization or by that date permanently cease ATSC 3.0 service and as applicable resume ATSC 1.0 service. In order to avoid interruption of service, we advise stations with experimental authorizations to file their Next Gen TV license applications at least 30 days prior to the expiration date to allow sufficient time for staff to process the application.

9. For additional information related to technical matters, please contact Hossein Hashemzadeh of the Video Division, Media Bureau at (202) 418-1658 or by e-mail at Hossein.Hashemzadeh@fcc.gov concerning Class A and LPTV stations, or Kevin Harding of the Video Division, Media Bureau at 202-418-7077 or by e-mail at Kevin.Harding@fcc.gov concerning full power stations. For all legal matters, please contact Evan Morris of the Media Bureau at 202-418-1656 or by e-mail at Evan.Morris@fcc.gov. Press inquiries should be directed to Janice Wise at (202) 418-8165 or by email at Janice.Wise@fcc.gov. TTY: (202) 418-7172 or (888) 835-5322.

-FCC-

APPENDIX

INSTRUCTIONS FOR ACCESSING AND FILING ON LMS

General LMS Log-in Instructions

1. Access the LMS applicant data entry home page here:
<https://enterpriseefiling.fcc.gov/dataentry/login.html>
2. Log-in using the FRN associated with the station.

REFERENCE

3. For more information and help using the LMS system, contact: (877) 480-3201 TTY, or (717) 338-2824.

Instructions for Filing Next Gen License Applications

FCC Form 2100 – Schedule B (Full Power), Schedule D (LPTV) or Schedule F (Class A)
(Application for License)

1. Click on “Authorizations” tab on the left top of the page.
2. Click on license authorization.
3. Click on “File an Application” button.
4. Select “modification of license” from drop down menu.
5. Select Next Gen ATSC 3.0 from drop down menu.
6. Select the appropriate “purpose” from drop down menu
7. Complete the application and click “Submit.”

* Applicants must pay the requisite filing fee where applicable.

Instructions for Filing Legal STA Applications (Channel Sharing Stations Only)

1. Click on “Facility” tab on the left top of the page.
2. Click on facility ID.
3. Click on “File an application”
4. Select “Legal STA Request” from drop down menu.
5. Complete the application and click “Submit”.

* Applicants must pay the requisite filing fee where applicable.

47 CFR 73.3801 Full Power Television Simulcasting During the ATSC 3.0 (NEXTGEN TV) Transition

§ 73.3801

(a) *Simulcasting arrangements.* For purposes of compliance with the simulcasting requirement in paragraph (b) of this section, a full power television station may partner with one or more other full power stations or with one or more Class A, LPTV, or TV translator stations in a simulcasting arrangement for purposes of airing either an ATSC 1.0 or ATSC 3.0 signal on a host station's (*i.e.*, a station whose facilities are being used to transmit programming originated by another station) facilities. Noncommercial educational television stations may participate in simulcasting arrangements with commercial stations.

(1) A full power television station airing an ATSC 1.0 or ATSC 3.0 signal on the facilities of a Class A host station must comply with the rules governing power levels and interference applicable to Class A stations, and must comply in all other respects with the rules and policies applicable to full power television stations set forth in this part.

(2) A full power television station airing an ATSC 1.0 or ATSC 3.0 signal on the facilities of a low power television or TV translator host station must comply with the rules of part 74 of this chapter governing power levels and interference applicable to low power television or TV translator stations and must comply in all other respects with the rules and policies applicable to full power television stations set forth in this part.

(3) A full power noncommercial educational television (NCE) station airing an ATSC 1.0 or ATSC 3.0 signal on the facilities of a commercial television host station must comply with the rules applicable to NCE licensees.

(b) *Simulcasting requirement.* A full power television station that chooses to air an ATSC 3.0 signal must simulcast the primary video programming stream of that signal in an ATSC 1.0 format. This requirement does not apply to any multicast streams aired on the ATSC 3.0 channel.

(1) The programming aired on the ATSC 1.0 simulcast signal must be “substantially similar” to that aired on the ATSC 3.0 primary video programming stream. For purposes of this section, “substantially similar” means that the programming must be the same except for advertisements, promotions for upcoming programs, and programming features that are based on the enhanced capabilities of ATSC 3.0. These enhanced capabilities include:

(i) Hyper-localized content (e.g., geo-targeted weather, targeted emergency alerts, and hyper-local news);

(ii) Programming features or improvements created for the ATSC 3.0 service (e.g., emergency alert “wake up” ability and interactive program features);

(iii) Enhanced formats made possible by ATSC 3.0 technology (e.g., 4K or HDR); and

REFERENCE

(iv) Personalization of programming performed by the viewer and at the viewer's discretion.
(2) For purposes of paragraph (b)(1) of this section, programming that airs at a different time on the ATSC 1.0 simulcast signal than on the primary video programming stream of the ATSC 3.0 signal is not considered "substantially similar."

(c) Coverage requirements for the ATSC 1.0 simulcast signal. For full power broadcasters that elect temporarily to relocate their ATSC 1.0 signal to the facilities of a host station for purposes of deploying ATSC 3.0 service (and that convert their existing facilities to ATSC 3.0), the ATSC 1.0 simulcast signal must continue to cover the station's entire community of license (*i.e.*, the station must choose a host from whose transmitter site the Next Gen TV station will continue to meet the community of license signal requirement over its current community of license, as required by § 73.625) and the host station must be assigned to the same Designated Market Area (DMA) as the originating station (*i.e.*, the station whose programming is being transmitted on the host station).

(d) Coverage requirements for ATSC 3.0 signals. For full power broadcasters that elect to continue broadcasting in ATSC 1.0 on the station's existing facilities and transmit an ATSC 3.0 signal on the facilities of a host station, the ATSC 3.0 signal must be established on a host station assigned to the same DMA as the originating station.

(e) Simulcasting agreements.

(1) Simulcasting agreements must contain provisions outlining each licensee's rights and responsibilities regarding:

(i) Access to facilities, including whether each licensee will have unrestrained access to the host station's transmission facilities;

(ii) Allocation of bandwidth within the host station's channel;

(iii) Operation, maintenance, repair, and modification of facilities, including a list of all relevant equipment, a description of each party's financial obligations, and any relevant notice provisions;

(iv) Conditions under which the simulcast agreement may be terminated, assigned or transferred; and

(v) How a guest station's (*i.e.*, a station originating programming that is being transmitted using the facilities of another station) signal may be transitioned off the host station.

(2) Broadcasters must maintain a written copy of any simulcasting agreement and provide it to the Commission upon request.

(f) Licensing of simulcasting stations and stations converting to ATSC 3.0 operation.

(1) Each station participating in a simulcasting arrangement pursuant to this section shall continue to be licensed and operated separately, have its own call sign, and be separately subject to all applicable Commission obligations, rules, and policies. ATSC 1.0 and ATSC 3.0 signals aired on the facilities of a host station will be licensed as temporary second channels of the originating station. The Commission will include a note on the originating station's license

REFERENCE

identifying any ATSC 1.0 or ATSC 3.0 signal being aired on the facilities of a host station. The Commission will also include a note on a host station's license identifying any ATSC 1.0 or ATSC 3.0 guest signal(s) being aired on the facilities of the host station.

(2) *Application required.* A full power broadcaster must file an application (FCC Form 2100) with the Commission, and receive Commission approval, before:

- (i)** Moving its ATSC 1.0 signal to the facilities of a host station, moving that signal from the facilities of an existing host station to the facilities of a different host station, or discontinuing an ATSC 1.0 guest signal;
- (ii)** Commencing the airing of an ATSC 3.0 signal on the facilities of a host station (that has already converted to ATSC 3.0 operation), moving its ATSC 3.0 signal to the facilities of a different host station, or discontinuing an ATSC 3.0 guest signal; or
- (iii)** Converting its existing station to transmit an ATSC 3.0 signal or converting the station from ATSC 3.0 back to ATSC 1.0 transmissions.

(3) *Streamlined process.* With respect to any application in paragraph (f)(2) of this section, a full power broadcaster may file only an application for modification of license, provided no other changes are being requested in such application that would require the filing of an application for a construction permit as otherwise required by the rules (*see, e.g.*, § 73.1690).

(4) *Host station.* A host station must first make any necessary changes to its facilities before a guest station may file an application to air a 1.0 or 3.0 signal on such host.

(5) *Expedited processing.* An application filed in accordance with the streamlined process in paragraph (f)(3) of this section will receive expedited processing provided, for stations requesting to air an ATSC 1.0 signal on the facilities of a host station, the station will provide ATSC 1.0 service to at least 95 percent of the predicted population within the noise limited service contour of its original ATSC 1.0 facility.

(6) *Required information.*

- (i)** An application in paragraph (f)(2) of this section must include the following information:
 - (A)** The station serving as the host, if applicable;
 - (B)** The technical facilities of the host station, if applicable;
 - (C)** The DMA of the originating broadcaster's facility and the DMA of the host station, if applicable; and
 - (D)** Any other information deemed necessary by the Commission to process the application.
- (ii)** If an application in paragraph (f)(2) of this section includes a request to air an ATSC 1.0 signal on the facilities of a host station, the broadcaster must, in addition to the information in paragraph (f)(6)(i), also indicate on the application:

REFERENCE

(A) The predicted population within the noise limited-service contour served by the station's original ATSC 1.0 signal;

(B) The predicted population within the noise limited-service contour served by the station's original ATSC 1.0 signal that will lose the station's ATSC 1.0 service as a result of the simulcasting arrangement, including identifying areas of service loss by providing a contour overlap map; and

(C) Whether the ATSC 1.0 simulcast signal aired on the host station will serve at least 95 percent of the population in paragraph (f)(6)(ii)(A) of this section.

(iii)

(A) If an application in paragraph (f)(2) of this section includes a request to air an ATSC 1.0 signal on the facilities of a host station and does not meet the 95 percent standard in paragraph (f)(6)(ii) of this section, the application must contain, in addition to the information in paragraphs (f)(6)(i) and (ii) of this section, the following information:

(1) Whether there is another possible host station(s) in the market that would result in less service loss to existing viewers and, if so, why the Next Gen TV broadcaster chose to partner with a host station creating a larger service loss;

(2) What steps, if any, the station plans to take to minimize the impact of the service loss (e.g., providing ATSC 3.0 dongles, set-top boxes, or gateway devices to viewers in the loss area); and

(3) The public interest benefits of the simulcasting arrangement and a showing of why the benefit(s) of granting the application would outweigh the harm(s).

(B) These applications will be considered on a case-by-case basis.

(g) Consumer education for Next Gen TV stations.

(1) Commercial and noncommercial educational stations that relocate their ATSC 1.0 signals (e.g., moving to a host station's facility, subsequently moving to a different host, or returning to its original facility) are required to air daily Public Service Announcements (PSAs) or crawls every day for 30 days prior to the date that the stations will terminate ATSC 1.0 operations on their existing facilities. Stations that transition directly to ATSC 3.0 will be required to air daily PSAs or crawls every day for 30 days prior to the date that the stations will terminate ATSC 1.0 operations.

(2) PSAs. Each PSA must be provided in the same language as a majority of the programming carried by the transitioning station and be closed-captioned.

(3) Crawls. Each crawl must be provided in the same language as a majority of the programming carried by the transitioning station.

(4) Content of PSAs or crawls. For stations relocating their ATSC 1.0 signals or transitioning directly to ATSC 3.0, each PSA or crawl must provide all pertinent information to consumers.

REFERENCE

(h) Notice to MVPDs.

(1) Next Gen TV stations relocating their ATSC 1.0 signals (e.g., moving to a temporary host station's facility, subsequently moving to a different host, or returning to its original facility) must provide notice to MVPDs that:

(i) No longer will be required to carry the station's ATSC 1.0 signal due to the relocation; or

(ii) Carry and will continue to be obligated to carry the station's ATSC 1.0 signal from the new location.

(2) The notice required by this section must contain the following information:

(i) Date and time of any ATSC 1.0 channel changes;

(ii) The ATSC 1.0 channel occupied by the station before and after commencement of local simulcasting;

(iii) Modification, if any, to antenna position, location, or power levels;

(iv) Stream identification information; and

(v) Engineering staff contact information.

(3) If any of the information in paragraph (h)(2) of this section changes, an amended notification must be sent.

(4)

(i) Next Gen TV stations must provide notice as required by this section:

(A) At least 120 days in advance of relocating their ATSC 1.0 signals if the relocation occurs during the post-incentive auction transition period; or

(B) At least 90 days in advance of relocating their ATSC 1.0 signals if the relocation occurs after the post-incentive auction transition period (*see* 47 CFR 27.4).

(ii) If the anticipated date of the ATSC 1.0 signal relocation changes, the station must send a further notice to affected MVPDs informing them of the new anticipated date.

(5) Next Gen TV stations may choose whether to provide notice as required by this section either by a letter notification or electronically via email if the relevant MVPD agrees to receive such notices by email. Letter notifications to MVPDs must be sent by certified mail, return receipt requested to the MVPD's address in the FCC's Online Public Inspection File (OPIF), if the MVPD has an online file. For cable systems that do not have an online file, notices must be sent to the cable system's official address of record provided in the system's most recent filing in the FCC's Cable Operations and Licensing System (COALS). For MVPDs with no official address in OPIF or COALS, the letter must be sent to the MVPD's official corporate address registered with their State of incorporation.

[Feb. 2, 2018]

47 CFR 74.782 Low Power Television and TV Translator Simulcasting During the ATSC 3.0 (NEXTGEN TV) Transition

§ 74.782

(a) *Simulcasting arrangements.* While broadcasters are voluntarily deploying ATSC 3.0, a low power television (LPTV) or TV translator station may partner with one or more other LPTV or TV translator stations or with one or more full power or Class A stations in a simulcasting arrangement for purposes of airing either an ATSC 1.0 or ATSC 3.0 signal on a host station's (*i.e.*, a station whose facilities are being used to transmit programming originated by another station) facilities.

(1) An LPTV or TV translator station airing an ATSC 1.0 or ATSC 3.0 signal on the facilities of a full power host station must comply with the rules of part 73 of this chapter governing power levels and interference, and must comply in all other respects with the rules and policies applicable to low power television or TV translator stations set forth in this part.

(2) An LPTV or TV translator station airing an ATSC 1.0 or ATSC 3.0 signal on the facilities of a Class A host station must comply with the rules governing power levels and interference applicable to Class A television stations, and must comply in all other respects with the rules and policies applicable to LPTV or TV translator stations as set forth in Part 74 of this chapter.

(b) *Simulcasting requirement.* An LPTV or TV translator station that elects voluntarily to simulcast while broadcasters are voluntarily deploying ATSC 3.0 must simulcast the primary video programming stream of their ATSC 3.0 signal in an ATSC 1.0 format. This requirement does not apply to any multicast streams aired on the ATSC 3.0 channel.

(1) The programming aired on the ATSC 1.0 simulcast signal must be “substantially similar” to that aired on the ATSC 3.0 primary video programming stream. For purposes of this section, “substantially similar” means that the programming must be the same except for advertisements, promotions for upcoming programs, and programming features that are based on the enhanced capabilities of ATSC 3.0. These enhanced capabilities include:

(i) Hyper-localized content (e.g., geo-targeted weather, targeted emergency alerts, and hyper-local news);

(ii) Programming features or improvements created for the ATSC 3.0 service (e.g., emergency alert “wake up” ability and interactive program features);

(iii) Enhanced formats made possible by ATSC 3.0 technology (e.g., 4K or HDR); and

(iv) Personalization of programming performed by the viewer and at the viewer's discretion.

(2) For purposes of paragraph (b)(1) of this section, programming that airs at a different time on the ATSC 1.0 simulcast signal than on the primary video programming stream of the ATSC 3.0 signal is not considered “substantially similar.”

REFERENCE

(c) *Transitioning directly to ATSC 3.0.* LPTV and TV translator stations may transition directly from ATSC 1.0 to ATSC 3.0 operation without simulcasting.

(d) *Coverage requirements for the ATSC 1.0 simulcast channel.* For LPTV and TV translator stations that elect voluntarily to simulcast and temporarily to relocate their ATSC 1.0 signal to the facilities of a host station for purposes of deploying ATSC 3.0 service (and that convert their existing facilities to ATSC 3.0), the station:

- (1)** Must maintain overlap between the protected contour of its existing facilities and its ATSC 1.0 simulcast signal;
- (2)** May not relocate its ATSC 1.0 simulcast signal more than 30 miles from the reference coordinates of the relocating station's existing antenna location; and
- (3)** Must select a host station assigned to the same Designated Market Area as the originating station (*i.e.*, the station whose programming is being transmitted on the host station).

(e) *Coverage requirements for ATSC 3.0 signals.* For LPTV and TV translator stations that elect voluntarily to simulcast and to continue broadcasting in ATSC 1.0 from the station's existing facilities and transmit an ATSC 3.0 signal from a host location, the ATSC 3.0 signal must be established on a host station assigned to the same DMA as the originating station.

(f) *Simulcasting agreements.*

- (1)** Simulcasting agreements must contain provisions outlining each licensee's rights and responsibilities regarding:
 - (i)** Access to facilities, including whether each licensee will have unrestrained access to the host station's transmission facilities;
 - (ii)** Allocation of bandwidth within the host station's channel;
 - (iii)** Operation, maintenance, repair, and modification of facilities, including a list of all relevant equipment, a description of each party's financial obligations, and any relevant notice provisions;
 - (iv)** Conditions under which the simulcast agreement may be terminated, assigned or transferred; and
 - (v)** How a guest's station's (*i.e.*, a station originating programming that is being transmitted using the facilities of a host station) signal may be transitioned off the host station.
- (2)** LPTV and TV translators must maintain a written copy of any simulcasting agreement and provide it to the Commission upon request.

(g) *Licensing of simulcasting stations and stations converting to ATSC 3.0 operation.*

- (1)** Each station participating in a simulcasting arrangement pursuant to this section shall continue to be licensed and operated separately, have its own call sign, and be separately

REFERENCE

subject to all applicable Commission obligations, rules, and policies. ATSC 1.0 and ATSC 3.0 signals aired on the facilities of a host station will be licensed as temporary second channels of the originating station. The Commission will include a note on the originating station's license identifying any ATSC 1.0 or ATSC 3.0 signal being aired on the facilities of a host station. The Commission will also include a note on a host station's license identifying any ATSC 1.0 or ATSC 3.0 guest signal(s) being aired on the facilities of the host station.

(2) Application required. An LPTV or TV translator broadcaster must file an application (FCC Form 2100) with the Commission, and receive Commission approval, before:

- (i)** Moving its ATSC 1.0 signal to the facilities of a host station, moving that signal from the facilities of an existing host station to the facilities of a different host station, or discontinuing an ATSC 1.0 guest signal;
- (ii)** Commencing the airing of an ATSC 3.0 signal on the facilities of a host station (that has already converted to ATSC 3.0 operation), moving its ATSC 3.0 signal to the facilities of a different host station, or discontinuing an ATSC 3.0 guest signal; or
- (iii)** Converting its existing station to transmit an ATSC 3.0 signal or converting the station from ATSC 3.0 back to ATSC 1.0 transmissions.

(3) Streamlined process. With respect to an application in paragraph (g)(2) of this section, an LPTV or TV translator broadcaster may file only an application for modification of license provided no other changes are being requested in such application that would require the filing of an application for a construction permit as otherwise required by the rules (*see, e.g.*, §§ 74.751 and 74.787).

(4) Host station. A host station must first make any necessary changes to its facilities before a guest station may file an application to air a 1.0 or 3.0 signal on such host.

(5) Expedited processing. An application filed in accordance with the streamlined process in paragraph (g)(3) of this section will receive expedited processing provided, for LPTV and TV translator stations seeking voluntarily to simulcast and to air an ATSC 1.0 signal on the facilities of a host station, the station will provide ATSC 1.0 service to at least 95 percent of the predicted population within the protected contour of its original ATSC 1.0 facility.

(6) Required information.

- (i)** An application in paragraph (g)(2) of this section must include the following information:
 - (A)** The station serving as the host, if applicable;
 - (B)** The technical facilities of the host station, if applicable;
 - (C)** The DMA of the originating broadcaster's facility and the DMA of the host station, if applicable; and
 - (D)** Any other information deemed necessary by the Commission to process the application.

REFERENCE

(ii) If an application in paragraph (g)(2) of this section includes a request to air an ATSC 1.0 signal on the facilities of a host station, the LPTV or TV translator broadcaster must also indicate on the application:

(A) The predicted population within the protected contour served by the station's original ATSC 1.0 signal;

(B) The predicted population within the protected contour served by the station's original ATSC 1.0 signal that will lose the station's ATSC 1.0 service as a result of the simulcasting arrangement, including identifying areas of service loss by providing a overlap map; and

(C) Whether the ATSC 1.0 simulcast signal aired on the host station will serve at least 95 percent of the population in paragraph (g)(6)(ii)(A) of this section.

(iii) If an application in paragraph (g)(2) of this section includes a request to air an ATSC 1.0 signal on the facilities of a host station and does not meet the 95 percent standard in paragraph (g)(6)(ii) of this section, the application must contain, in addition to the information in paragraphs (g)(6)(i) and (ii) of this section, the following information:

(A) Whether there is another possible host station(s) in the market that would result in less service loss to existing viewers and, if so, why the Next Gen TV broadcaster chose to partner with a host station creating a larger service loss;

(B) What steps, if any, the station plans to take to minimize the impact of the service loss (e.g., providing ATSC 3.0 dongles, set-top boxes, or gateway devices to viewers in the loss area); and

(C) The public interest benefits of the simulcasting arrangement and a showing of why the benefit(s) of granting the application would outweigh the harm(s). These applications will be considered on a case-by-case basis.

(h) *Consumer education for Next Gen TV stations.*

(1) LPTV and TV translator stations that elect voluntarily to simulcast and that relocate their ATSC 1.0 signals (e.g., moving to a host station's facilities, subsequently moving to a different host, or returning to its original facility) will be required to air daily Public Service Announcements (PSAs) or crawls every day for 30 days prior to the date that the stations will terminate ATSC 1.0 operations on their existing facilities. LPTV and TV translator stations that transition directly to ATSC 3.0 will be required to air daily Public Service Announcements (PSAs) or crawls every day for 30 days prior to the date that the stations will terminate ATSC 1.0 operations.

(2) *PSAs.* Each PSA must be provided in the same language as a majority of the programming carried by the transitioning station and be closed-captioned.

(3) *Crawls.* Each crawl must be provided in the same language as a majority of the programming carried by the transitioning station.

REFERENCE

(4) Content of PSAs or crawls. For stations relocating their ATSC 1.0 signals or transitioning directly to ATSC 3.0, each PSA or crawl must provide all pertinent information to consumers.

(i) Notice to MVPDs.

(1) Next Gen TV stations relocating their ATSC 1.0 simulcast signals (e.g., moving to a temporary host station's facilities, subsequently moving to a different host, or returning to its original facility) must provide notice to MVPDs that:

(i) No longer will be required to carry the station's ATSC 1.0 signal due to the relocation; or

(ii) Carry and will continue to be obligated to carry the station's ATSC 1.0 signal from the new location.

(2) The notice required by this section must contain the following information:

(i) Date and time of any ATSC 1.0 channel changes;

(ii) The ATSC 1.0 channel occupied by the station before and after commencement of local simulcasting;

(iii) Modification, if any, to antenna position, location, or power levels;

(iv) Stream identification information; and

(v) Engineering staff contact information.

(3) If any of the information in paragraph (f)(2) of this section changes, an amended notification must be sent.

(4)

(i) Next Gen TV stations must provide notice as required by this section:

(A) At least 120 days in advance of relocating their ATSC 1.0 simulcast signals if the relocation occurs during the post-incentive auction transition period; or

(B) At least 90 days in advance of relocating their 1.0 simulcast signals if the relocation occurs after the post-incentive auction transition period.

(ii) If the anticipated date of the ATSC 1.0 service relocation changes, the station must send a further notice to affected MVPDs informing them of the new anticipated date.

(5) Next Gen TV stations may choose whether to provide notice as required by this section either by a letter notification or electronically via email if the relevant MVPD agrees to receive such notices by email. Letter notifications to MVPDs must be sent by certified mail, return receipt requested to the MVPD's address in the FCC's Online Public Inspection File (OPIF), if the MVPD has an online file. For cable systems that do not have an online file, notices must be sent to the cable system's official address of record provided in the system's most recent filing in the FCC's Cable Operations and Licensing System (COALS). For MVPDs with no official address in

REFERENCE

OPIF or COALS, the letter must be sent to the MVPD's official corporate address registered with their State of incorporation.

Frequently Asked Questions

Will a need a new transmitter be required if I am operating a NEXTGEN TV Host station?

It will depend on several factors. Many current transmitters in use with ATSC-1 are completely capable of transmitting the NEXTGEN TV signal. However, NEXTGEN TV's COFDM transmission system can provide transient power demands beyond what is required by equivalent legacy ATSC-1 average transmission power. This is referred to as a higher peak to average power ratio. It is a characteristic of COFDM transmission. Also, the broadcaster may choose to add additional power to provide for a vertical polarized transmission component that will become important in reaching a mobile audience. Many legacy transmitters already have enough power overhead to handle these peaks and additional power requirements. However, each circumstance is different, so these factors must be considered when designing your system.

Does a broadcaster need a new exciter (modulator) if hosting a NEXTGEN TV Host station?

Legacy ATSC-1 exciters/modulators generally are not compatible with current NEXTGEN TV transmission unless they have been purchased in the last year or two. More recent exciters are software-based and can run software to create a legacy ATSC-1 or alternatively a NEXTGEN TV transmission often with just the addition of a license key.

Will a new Studio to Transmitter link need to be replaced if operating a NEXTGEN TV Host station?

The output format of the Broadcast/Gateway Scheduler used in NEXTGEN TV is IP- UDP Multicast Internet Protocol. Therefore, you should have a Studio to Transmitter link connection that can carry IP, UDP, Multicast of at least 50 mb/sec or more to accommodate the STLTP stream with its signaling and Forward Error Correction data overhead.

What is the purpose of a Single Frequency Network (SFN) and should I consider building one?

A Single Frequency Network or SFN is a means by which a broadcaster can use several smaller transmitters within their designated FCC transmission contour all using their FCC allotted channel instead of just a single transmitter. This provides a means to improve and provide more consistent signal power levels within the broadcaster's transmission area that enhances over-the-air reception. In addition, a meticulously designed SFN could provide a means to use a more aggressive modulation and coding parameters in NEXTGEN TV and thus increase usable bandwidth.

What is DTS?

REFERENCE

DTS or Distributed Transmission System is an alternative designation or term used for SFN that is used particularly by the Federal Communications Commission.

Why are there so many transmission parameter selections available in NextGen TV?

In designing the ATSC-3 NEXTGEN TV system, the designers were aware of the wide range of transmission characteristics that need to be provided by a modern television transmission system. This variety of possible parameters allow flexible use of the service from in-home, portable, mobile, in-vehicle and inside large building requirements. All the different transmission parameters provide capabilities from more robust mobile or inside building reception to less robust, with wider bandwidth capabilities. NEXTGEN TV also allows for transmission of multiple modulation and coding parameters at the same time which provides the flexibility to transmit to multiple levels of service bandwidth or signal robustness within a single transmission.

How much flexibility is available in the FCCs requirement to simulcast your legacy ATSC-1 and NEXTGEN TV service?

In keeping with the current FCC rule in this regard a Broadcaster must simulcast the primary video programming stream of their NEXTGEN TV signal carried in ATSC 1.0 format. This same requirement does not apply to any multicast streams

The programming aired on the simulcast signal must be “substantially similar” to that aired on the primary NEXTGEN TV video programming stream. Substantially similar means that the programming must be the same except for advertisements, promotions for upcoming programs, and programming features that are based on the enhanced capabilities of NEXTGEN TV. These enhanced capabilities include:

- Hyper-localized content (e.g., geo-targeted weather, targeted emergency alerts, and hyper-local news)
- Programming features or improvements created for the NEXTGEN TV service (e.g., emergency alert “wake up” ability and interactive program features)
- Enhanced formats made possible by the NEXTGEN TV technology (e.g., 4K or HDR)
- Personalization of programming performed by the viewer and at the viewer's discretion.
- Programming that airs at a different time on the simulcast signal than on the primary video programming stream of the NEXTGEN TV signal is not considered “substantially similar.”

How long does it take to receive license modifications required to move the NEXTGEN TV Host ATSC-1 services as well as to build and air a NEXTGEN TV service?

REFERENCE

The FCC has indicated that they desire to provide license modification approvals of Form 2100 in their LMS within thirty days. However, each application mandated 90 - day MVPD notification period before any new transmissions can take place.

Why must you provide a 90-day notification to local market MVPDs before moving to Next Gen TV?

Although many MVPDs receive a broadcaster's signal to their head-ends via fiber, they will generally provide backup reception from over-the-air transmission. Some systems do the opposite of using OTA as primary and fiber as backup. If the legacy services move from the NEXTGEN TV Host channel to share facilities with other legacy stations, it creates a complicated technical requirement for the MVPDs in the way the OTA signals are multiplexed in a different manner on versus via their fiber connectivity.

Making this technical change for most MVPDs is a complex and potentially a lengthy process.

What is hybrid NEXTGEN TV, and should a broadcaster consider its use?

Hybrid NEXTGEN TV allows a portion of the service to be delivered via broadband /Internet while other portions of the service are delivered via traditional broadcast. This capability requires the viewer to own an Internet-connected television receiver. Luckily, a large portion of new NEXTGEN TV receivers will have Internet connection capability.

There are many possibilities in this hybrid use case from alternative audio sources (as in home and away sports commentators) to enhanced web application content that would deliver alternative advertisements or background content associated with the viewed programming.

As broadcasters' capabilities grow in NEXTGEN TV it can also be used for DVR type capabilities, like restart (the programming from the beginning) or even to repair interrupted portions of the OTA signal.

Should you consider the use of a Broadcaster Application and what is the Application Framework?

NEXTGEN TV has the capability of automatically downloading and running a broadcaster-provided application on the viewer's receiver. This application can be simple and just provide a familiar receiver control interface to the viewer or it can provide a wide range of enhanced contents such as a sophisticated guide with deep links to enhance the viewer experience.

A (common) Application Framework is a means by which much of the underlying software code that makes this experience possible is shared between broadcasters to provide faster app loading between a service change as well as providing a common as well as familiar look and feel to viewer-facing broadcaster app.

REFERENCE

What is Content Security and why is it an option in NEXTGEN TV?

We are in an age in which there are justified concerns about content piracy as well as unauthorized duplication of program content. So, the developers of NEXTGEN TV included a means of protecting content within the standard. This capability is called Content Security. Turning on this capability is at the option of the broadcaster, but likely will be required by many content creators and producers. NEXTGEN TV receivers will have the capability to decrypt services with Content Security without viewer intervention.

What is High Dynamic Range and Wide Color Gamut?

The dynamic range (darkest portion compared to brightest portion of image) that can be perceived by the human eye/brain in a single image is around 14 to 16 f-stops. A f-stop is a term used in photography to denote a doubling or halving of a given light level from one location in an image to another. Standard dynamic range video images with a conventional gamma (display transfer) curve and a bit depth of 10-bits per sample has a dynamic range of about 10 f-stops. High Dynamic Range video which is supported in NEXTGEN TV covers a much larger range of contrast values approaching that of the human eye's perception capability. However, the actual range displayed is always determined by the highest brightness capability of the display used. High Dynamic Range displays vary in their brightness capability. In any case an HDR display provides spectacular images that provide greater viewer positive response than improving image resolution.

The current ATSC-1 television service can cover only a relatively narrow range (around 50%) of all the colors that can be perceived by a human eye/brain. Luckily, the human brain fills in what might appear to be missing. The grass looks green in the image, but maybe not the precise green of the actual grass.

However, using modern television production equipment and displays, a wider range of colors (70-80%) can be transmitted and displayed. NEXTGEN TV supports a Wider Color Gamut (range or scope) when provided by the broadcaster.

What immersive audio found in NEXTGEN TV?

The current ATSC-1 Television systems uses the Dolby AC-3 audio standard and can deliver up to 5.1 channels of audio.

The ATSC-3 NEXTGEN TV system in North America uses the more capable AC-4 system which can support up to 13 channels of discrete audio as in 7.2+4 to provide a more accurate or immersive form of audio rendition not unlike what is found in modern movie theatres. Additionally, a special form of audio rendition called ambisonics is included in the standard. Ambisonics is a full-sphere

REFERENCE

surround sound format above and beyond sound in a horizontal plane. Ambisonics reproduces sound sources above and below the listener. Unlike other multichannel surround formats, its transmission channels do not describe speaker signals or channels per se but create realistic imagery of the sound as might be heard in a real-world situation despite the number of speakers used.

What is Dialog Enhancement in NEXTGEN TV?

The Dolby AC-4 audio system used in NEXTGEN TV in North America can create and provide an audio dialog enhancement feature. This feature has the commercial name of Voice-Plus. This feature allows viewers that have receivers with this selection capability to improve the ability of the listener to understand the dialog within a program source. It does not just increase the dialog level; it also changes the characteristics of the dialog within the program to make it easier to discern by the viewer.

This feature was not added just for the hearing-impaired community. It was added to enhance the viewer experience in a wide range of viewing/listening circumstances where background noise in the program (as in a sporting event) or at the viewer's location can mask the intelligibility dialogue.

This feature has proven to be extremely popular in early test by a wide range of test audience members.

REFERENCE

Document Revision History

VERSION	DATE
NextGenTV Host Station Manual Version 1a	10/9/19
NextGenTV Host Station Manual Version 2	10/21/19
NextGenTV Host Station Manual Version 3	12/19/19
NextGenTV Host Station Manual Version 3a	01/04/20
NextGenTV Host Station Manual Version 4	01/04/20
NextGenTV Host Station Manual Version 5	03/03/20
NextGenTV Host Station Manual Version 6	03/23/20
NextGenTV Host Station Manual Version 7	05/27/20
NextGenTV Host Station Manual Version 8	08/03/20
NextGenTV Host Station Manual Version 9	09/07/20
NextGenTV Host Station Manual Version 10	01/01/21
NextGenTV Host Station Manual Version 11	06/22/21
NextGenTV Host Station Manual Version 12	01/05/22
